



Heavy Duty Freestanding Enclosures - Wall-mounted Enclosures - Consoles



The modern production context together with a more and more complex and competitive service market require of Tecnomatic corp. a performance level inspired by Quality, Functionality, Safety and Innovation, which can guarantee reliability, service, customer satisfaction. In order to achieve these aims, Tecnomatic corp. takes an integrated approach to Quality, Functionality, Safety and Innovation.



Classification Mark for Canada and United States

FILE N° E 238294

CABINETS FREE-STANDING ENCLOSURES

- 3** "KM" - "KQ":
Monobloc cabinets with solid/PVC door
- 5** "TSR" - "TSR/V":
Modular cabinets with solid/PVC door
- 7** "TFR":
Closed sides cabinets with solid/PVC door
"QO":
Closed sides horizontal cabinets

COMPUTER CABINETS CONSOLES

- 9** "LAN":
Cabinet for computers
- 11** "7000": Cabinets for racks 19"
"LM": New one-piece console
- 13** "LV" - "LVE" - "LVD93":
Modular consoles

WALL MOUNTED ENCLOSURES

- 15** "2800":
Wall mounted boxes
- 17** "2830":
Wall mounted boxes with PVC door
- 19** "ES": Junction boxes
"D01": Boxes 400 mm deep

PENDANT SYSTEM

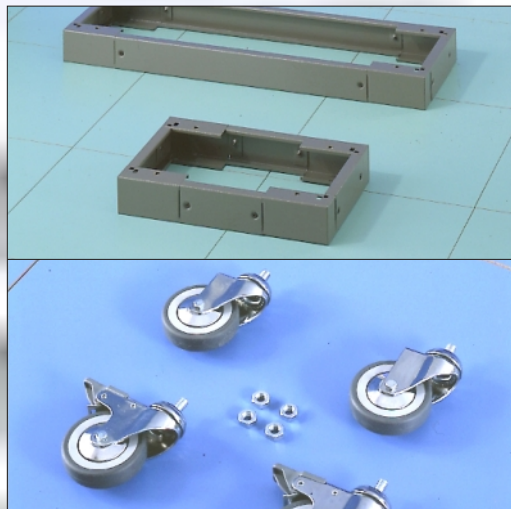
- 21** "DPH" - "DCF":
Control boxes

STAINLESS STEEL

- 23** "2800/ss":
Wall mounted boxes
- 25** "TSR" - "TFR" - "LV" - "LVE" - "LVD93" - "LAN":
Modular/closed sides cabinets and consoles

ACCESSORIES

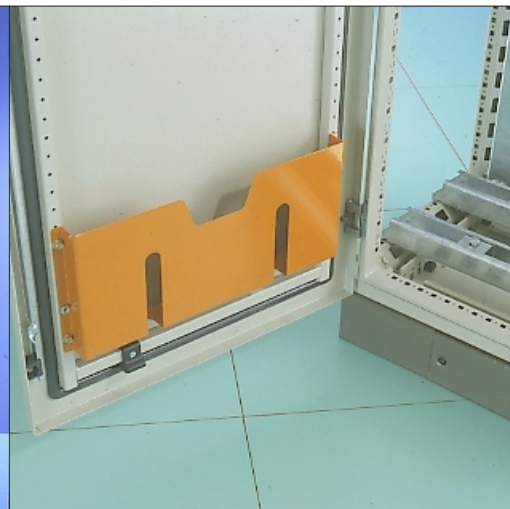
- 27** "ACCESSORIES":
Plinths
Side Walls-Plates
Internal / External Accessories
Locks, Bolts, Nuts
Heating



PLINTHS AND CASTERS

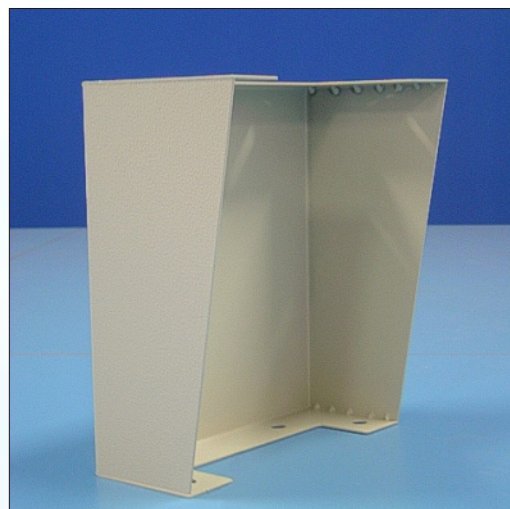


SIDEWALLS



ACCESSORIES

SHEET-METAL ACCESSORIES



FLOOR STAND KIT

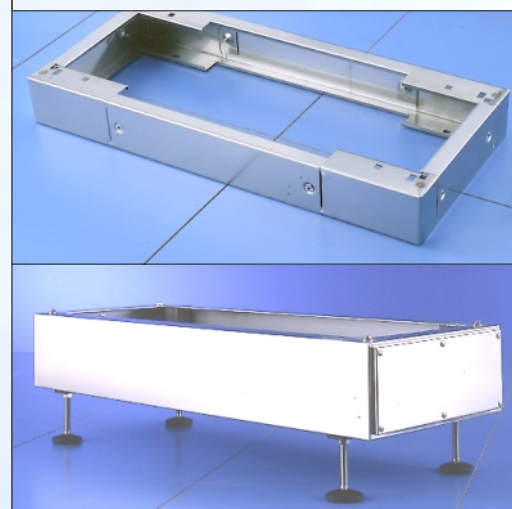


HEATERS



LOCKS AND HARDWARE

ACCESSORIES



PLINTHS AND CASTERS



SIDEWALLS

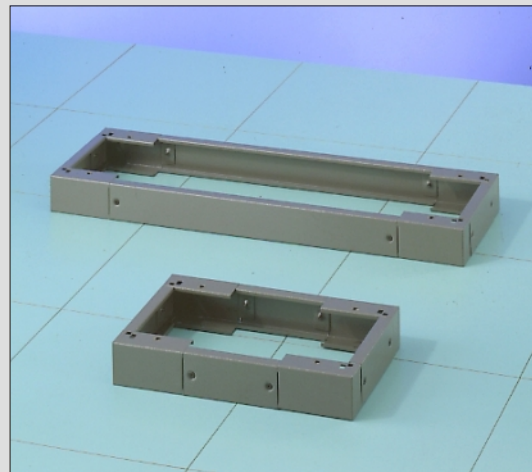
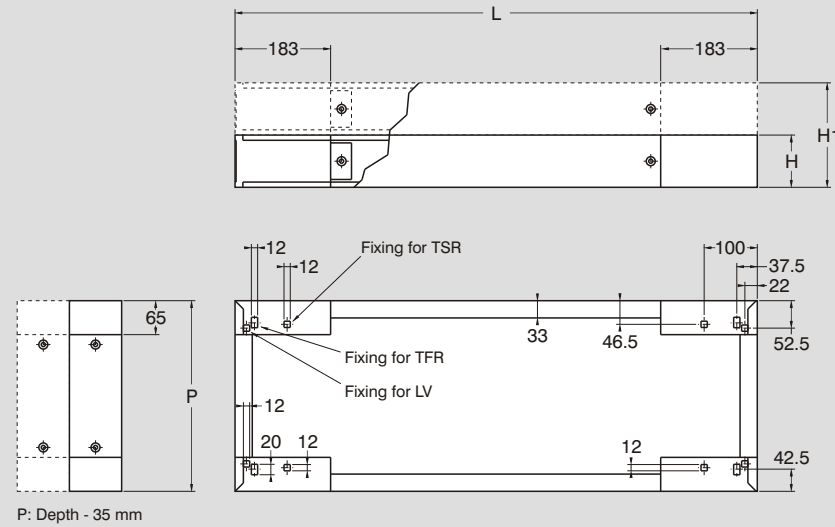
STAINLESS STEEL ACCESSORIES

ALL ACCESSORIES ARE ALSO AVAILABLE IN STAINLESS STEEL, FOR ADDITIONAL DETAILS PLEASE CONTACT US DIRECTLY

ALL DIMENSIONS IN MM (1 INCH=25.4 MM)

MODULAR PLINTHS H100 OR H200 MM

Made of sheet-metal thickness 16ga, 100 mm (4") or 200 mm (8") high. Composed of 4 corner pieces and side panels. Paint: Textured RAL 7009.

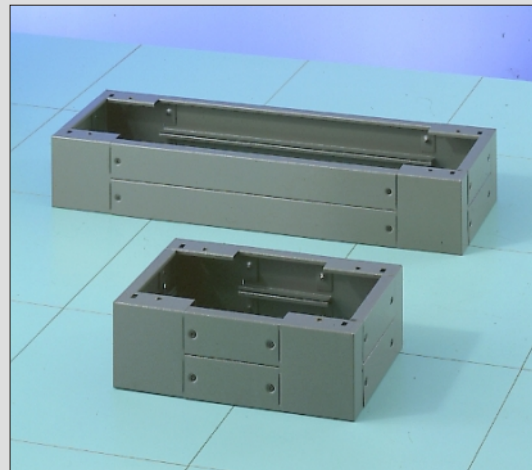


Modular plinths H.100

| | | | | | | | | | | | | | | | | | |
|-----------------|------------|------------|------------|------------|------------|------------|------------|------------|------------|------------|------------|------------|------------|------------|------------|--|--|
| W=mm | 200 | 200 | 200 | 200 | 200 | 300 | 300 | 300 | 300 | 300 | 400 | 400 | 400 | 400 | 400 | | |
| H=mm | 100 | 100 | 100 | 100 | 100 | 100 | 100 | 100 | 100 | 100 | 100 | 100 | 100 | 100 | 100 | | |
| D=mm | 400 | 500 | 600 | 800 | 1000 | 400 | 500 | 600 | 800 | 1000 | 400 | 500 | 600 | 800 | 1000 | | |
| TSR code | 531 | 532 | 533 | 534 | 535 | 536 | 537 | 538 | 539 | 540 | 557 | 558 | 559 | 560 | 561 | | |
| Weight (kg) | 3 | 4 | 5 | 6 | 7 | 3.5 | 4.5 | 5.5 | 6.5 | 7.5 | 4.9 | 5.4 | 5.9 | 6.9 | 7.9 | | |

| | | | | | | | | | | | | | | | | | |
|-----------------|------------|------------|------------|------------|------------|------------|------------|------------|------------|------------|------------|------------|------------|------------|------------|--|--|
| W=mm | 600 | 600 | 600 | 600 | 600 | 800 | 800 | 800 | 800 | 800 | 1000 | 1000 | 1000 | 1000 | 1000 | | |
| H=mm | 100 | 100 | 100 | 100 | 100 | 100 | 100 | 100 | 100 | 100 | 100 | 100 | 100 | 100 | 100 | | |
| D=mm | 400 | 500 | 600 | 800 | 1000 | 400 | 500 | 600 | 800 | 1000 | 400 | 500 | 600 | 800 | 1000 | | |
| TSR code | 601 | 602 | 603 | 604 | 605 | 606 | 607 | 608 | 609 | 610 | 611 | 612 | 613 | 614 | 615 | | |
| Weight (kg) | 6 | 6.5 | 7 | 8 | 9 | 7.1 | 7.6 | 8.1 | 9.1 | 10.1 | 8.2 | 8.7 | 9.2 | 10.2 | 11.2 | | |

| | | | | | | | | | | | | | | | | | |
|-----------------|------------|------------|------------|------------|------------|------------|------------|------------|------------|------------|------------|------------|------------|------------|------------|------------|------------|
| W=mm | 1200 | 1200 | 1200 | 1200 | 1200 | 1400 | 1400 | 1400 | 1400 | 1400 | 1600 | 1600 | 1600 | 1600 | 1600 | 1800 | 2000 |
| H=mm | 100 | 100 | 100 | 100 | 100 | 100 | 100 | 100 | 100 | 100 | 100 | 100 | 100 | 100 | 100 | 100 | 100 |
| D=mm | 400 | 500 | 600 | 800 | 1000 | 400 | 500 | 600 | 800 | 1000 | 400 | 500 | 600 | 800 | 1000 | 400 | 400 |
| TSR code | 616 | 617 | 618 | 619 | 620 | 641 | 642 | 643 | 644 | 645 | 646 | 647 | 648 | 649 | 650 | 666 | 667 |
| Weight (kg) | 9.3 | 9.8 | 10.3 | 11.3 | 12.3 | 10.4 | 10.9 | 11.4 | 12.4 | 13.4 | 11.5 | 12 | 12.5 | 13.5 | 14.5 | 13 | 14 |



Modular plinths H.200

| | | | | | | | | | | | | | | | | | |
|-----------------|------------|------------|------------|------------|------------|------------|------------|------------|------------|------------|------------|------------|------------|------------|------------|--|--|
| W=mm | 200 | 200 | 200 | 200 | 200 | 300 | 300 | 300 | 300 | 300 | 400 | 400 | 400 | 400 | 400 | | |
| H1=mm | 200 | 200 | 200 | 200 | 200 | 200 | 200 | 200 | 200 | 200 | 200 | 200 | 200 | 200 | 200 | | |
| D=mm | 400 | 500 | 600 | 800 | 1000 | 400 | 500 | 600 | 800 | 1000 | 400 | 500 | 600 | 800 | 1000 | | |
| TSR code | 541 | 542 | 543 | 544 | 545 | 546 | 547 | 548 | 549 | 550 | 562 | 563 | 564 | 565 | 566 | | |
| Weight (kg) | 5.5 | 7.5 | 9 | 11 | 12.5 | 6.5 | 8.5 | 10 | 12 | 13.5 | 8.5 | 9.5 | 10.5 | 12.5 | 14.5 | | |

| | | | | | | | | | | | | | | | | | |
|-----------------|------------|------------|------------|------------|------------|------------|------------|------------|------------|------------|------------|------------|------------|------------|------------|--|--|
| W=mm | 600 | 600 | 600 | 600 | 600 | 800 | 800 | 800 | 800 | 800 | 1000 | 1000 | 1000 | 1000 | 1000 | | |
| H1=mm | 200 | 200 | 200 | 200 | 200 | 200 | 200 | 200 | 200 | 200 | 200 | 200 | 200 | 200 | 200 | | |
| D=mm | 400 | 500 | 600 | 800 | 1000 | 400 | 500 | 600 | 800 | 1000 | 400 | 500 | 600 | 800 | 1000 | | |
| TSR code | 621 | 622 | 623 | 624 | 625 | 626 | 627 | 628 | 629 | 630 | 631 | 632 | 633 | 634 | 635 | | |
| Weight (kg) | 10.5 | 11.5 | 12.5 | 14.5 | 16.5 | 12.5 | 13.5 | 14.5 | 16.5 | 18.5 | 14.5 | 15.5 | 16.5 | 18.5 | 20.5 | | |

| | | | | | | | | | | | | | | | | | |
|-----------------|------------|------------|------------|------------|------------|------------|------------|------------|------------|------------|------------|------------|------------|------------|------------|------------|------------|
| W=mm | 1200 | 1200 | 1200 | 1200 | 1200 | 1400 | 1400 | 1400 | 1400 | 1400 | 1600 | 1600 | 1600 | 1600 | 1600 | 1800 | 2000 |
| H1=mm | 200 | 200 | 200 | 200 | 200 | 200 | 200 | 200 | 200 | 200 | 200 | 200 | 200 | 200 | 200 | 200 | 200 |
| D=mm | 400 | 500 | 600 | 800 | 1000 | 400 | 500 | 600 | 800 | 1000 | 400 | 500 | 600 | 800 | 1000 | 400 | 400 |
| TSR code | 636 | 637 | 638 | 639 | 640 | 651 | 652 | 653 | 654 | 655 | 656 | 657 | 658 | 659 | 660 | 668 | 669 |
| Weight (kg) | 16.5 | 17.5 | 18.5 | 20.5 | 22.5 | 18.5 | 19.5 | 20.5 | 22.5 | 24.5 | 20.5 | 21.5 | 22.5 | 24.5 | 26.5 | 23.5 | 25.5 |

ALL DIMENSIONS IN MM (1 INCH=25.4 MM)

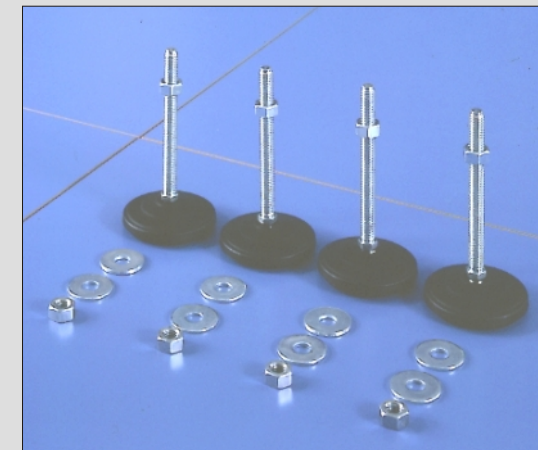


CASTERS

To be fixed to the plinth or to the cabinet. The set includes 4 casters, two of which have a break. Mounting hardware included.

Set of casters for plinths.

| | |
|-------------|---|
| Code | TSR 500 |
| Description | 4 casters (2 with break & 2 without) and 4 nuts M12 |



LEVELING FEET

Mounted under the plinth to compensate for uneven floors. Made of steel, with thread M12. Pack: 4 pieces.

Adjustable small feet for plinth leveling

| | |
|-------------|----------------------------|
| Code | TSR 670 |
| Description | 4 steel feet M12 H.125 mm. |



TRANSPORT PLINTH H100 MM (4")

Made of sheet-metal, thickness 11ga, for transportation of heavy multi-bay cabinets. Minimum width is 1800 mm (71"). Each unit is made to order. Painted in textured RAL 7032.

Single plinth H.100 (dimensions to be specified)

| | | | | | | | | | | |
|----------|------------|-----|-----|-----|------|--|--|--|--|--|
| W=mm | on request | | | | | | | | | |
| H=mm | 100 | 100 | 100 | 100 | 100 | | | | | |
| D=mm | 400 | 500 | 600 | 800 | 1000 | | | | | |
| TSR code | 661 | 662 | 663 | 664 | 665 | | | | | |

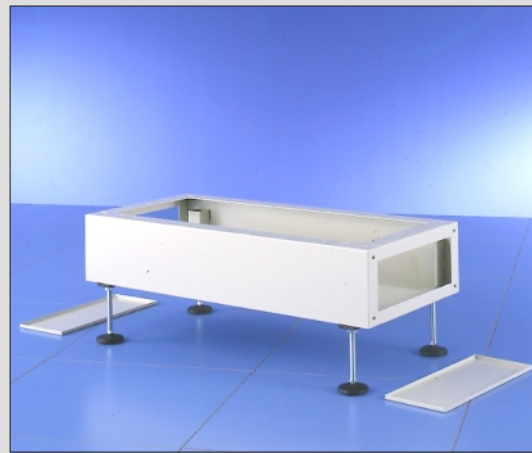
ONE-PIECE PLINTHS H200 MM (8")

Made of sheet-metal, thickness 14ga with closed bottom and openable sides for cable entry. Painted in textured RAL 7032.

| | | | | | | | | | | |
|--------------------|---------|---------|---------|---------|----------|---------|---------|---------|---------|----------|
| W=mm | 400 | 400 | 400 | 400 | 400 | 600 | 600 | 600 | 600 | 600 |
| H=mm | 200 | 200 | 200 | 200 | 200 | 200 | 200 | 200 | 200 | 200 |
| D=mm | 365 | 465 | 565 | 765 | 965 | 365 | 465 | 565 | 765 | 965 |
| For cabinets W x D | 400x400 | 400x500 | 400x600 | 400x800 | 400x1000 | 600x400 | 600x500 | 600x600 | 600x800 | 600x1000 |
| TSR code | 459 | 460 | 461 | 462 | 463 | 464 | 465 | 466 | 467 | 468 |
| Weight (kg) | 8.8 | 10.3 | 11.8 | 14.8 | 17.8 | 11.7 | 13.5 | 15.3 | 18.9 | 22.5 |

| | | | | | | | | | | |
|--------------------|---------|---------|---------|---------|----------|----------|----------|----------|----------|-----------|
| W=mm | 800 | 800 | 800 | 800 | 800 | 1000 | 1000 | 1000 | 1000 | 1000 |
| H=mm | 200 | 200 | 200 | 200 | 200 | 200 | 200 | 200 | 200 | 200 |
| D=mm | 365 | 465 | 565 | 765 | 965 | 365 | 465 | 565 | 765 | 965 |
| For cabinets W x D | 800x400 | 800x500 | 800x600 | 800x800 | 800x1000 | 1000x400 | 1000x500 | 1000x600 | 1000x800 | 1000x1000 |
| TSR code | 469 | 470 | 471 | 472 | 473 | 474 | 475 | 476 | 477 | 478 |
| Weight (kg) | 14.6 | 16.7 | 18.8 | 23 | 27.2 | 17.5 | 19.9 | 22.3 | 27.1 | 31.9 |

| | | | | | | | | | | |
|--------------------|----------|----------|----------|----------|-----------|----------|----------|----------|----------|-----------|
| W=mm | 1200 | 1200 | 1200 | 1200 | 1200 | 1400 | 1400 | 1400 | 1400 | 1400 |
| H=mm | 200 | 200 | 200 | 200 | 200 | 200 | 200 | 200 | 200 | 200 |
| D=mm | 365 | 465 | 565 | 765 | 965 | 365 | 465 | 565 | 765 | 965 |
| For cabinets W x D | 1200x400 | 1200x500 | 1200x600 | 1200x800 | 1200x1000 | 1400x400 | 1400x500 | 1400x600 | 1400x800 | 1400x1000 |
| TSR code | 479 | 480 | 481 | 482 | 483 | 484 | 485 | 486 | 487 | 488 |
| Weight (kg) | 20.4 | 23.1 | 25.8 | 31.2 | 36.6 | 23.3 | 26.3 | 29.3 | 35.3 | 41.3 |



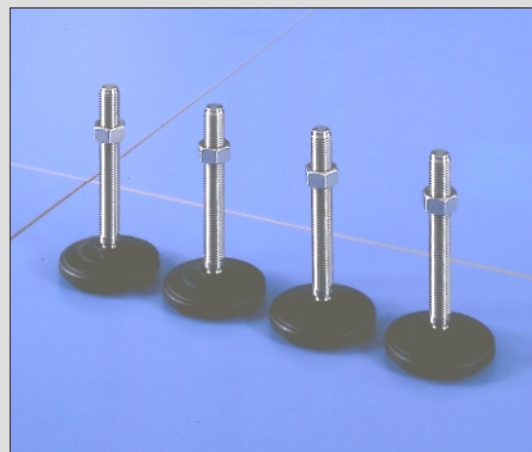
SIDE PANELS FOR ONE-PIECE PLINTH

Made of sheet-metal, thickness 14ga. Painted in textured RAL 7032.

| | | | | | | | | | | |
|----------------|-----|-----|-----|-----|------|--|--|--|--|--|
| For cabinets D | 400 | 500 | 600 | 800 | 1000 | | | | | |
| TSR code | 495 | 496 | 497 | 498 | 499 | | | | | |

LEVELING FEET

Mounted under the plinth to compensate for uneven floors. Made of steel, with thread M12. Pack: 4 pieces.

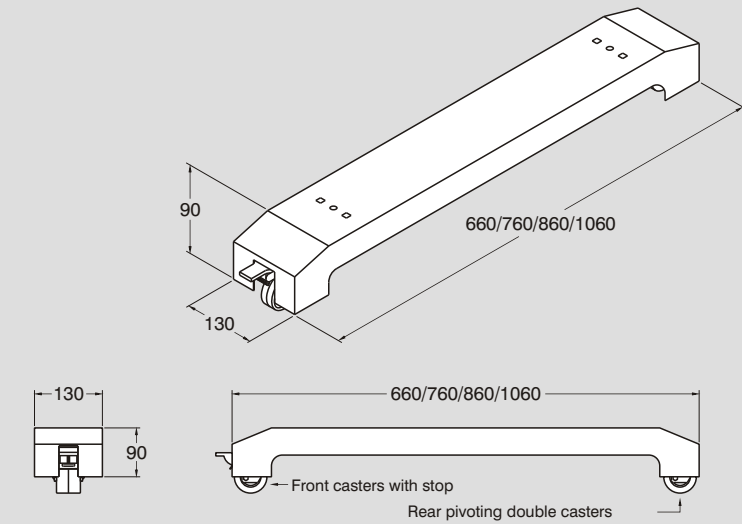


Leveling small feet

| | | | | | | | | | | |
|-------------|-----------------------|--|--|--|--|--|--|--|--|--|
| Code | DRC 671 | | | | | | | | | |
| Description | 4 steel feet M16 H150 | | | | | | | | | |

STABILIZERS FOR LAN CABINETS

Made of sheet-metal, thickness 16ga. To increase stability cross-member is positioned under the cabinets. Upon request, supplied with casters or leveling feet. Ordering Code: 7009 for Leveling feet M10 (4 pieces). - or 7010 for Casters (4 pieces).

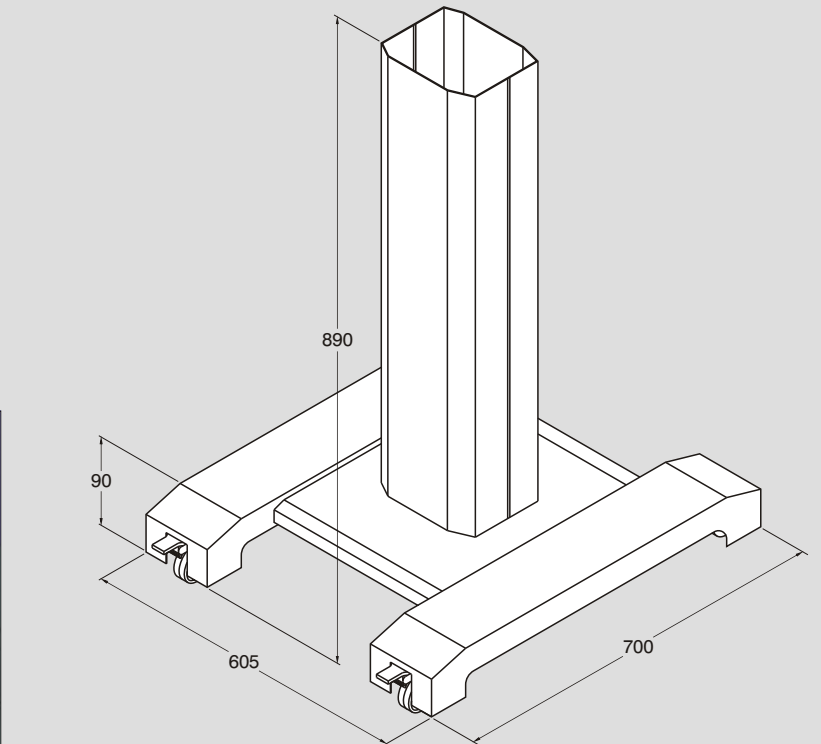
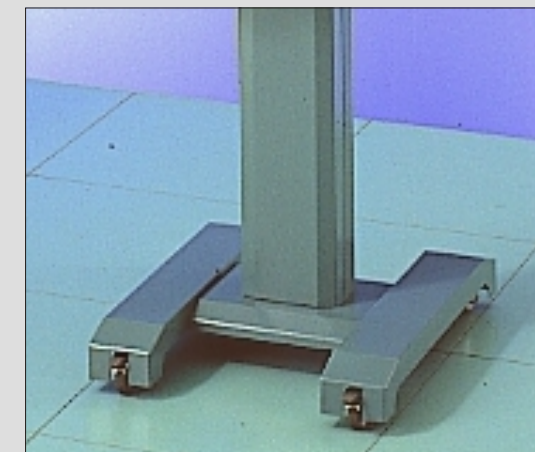


Stabilizers support for cabinets

| | | | | |
|-------------|---|---|---|--|
| Code | 7104 | 7105 | 7005 | 7006 |
| Description | Stabilizers supports 660 for cabinets D400 mm | Stabilizers supports 760 for cabinets D500 mm | Stabilizers supports 860 for cabinets D600 mm | Stabilizers supports 1060 for cabinets D800 mm |

PEDESTAL FOR LAN CABINETS

Made of sheet-metal, thickness 16ga. Standard supply: base with stabilizers - four casters, two with stop. Paint: textured RAL 6033.



Mobile base for LAN2

| | | | | |
|-------------|-------------------|--|--|--|
| Code | 7080 | | | |
| Description | Base with casters | | | |
| Weight (Kg) | 25 | | | |

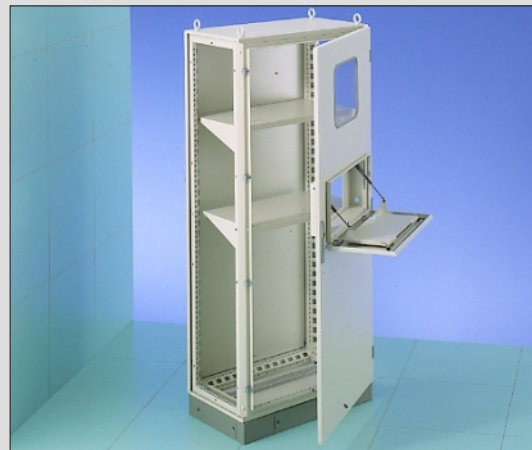


DOOR WITH CONSOLETTA FOR TSR - TFR

Made of sheet-metal, thickness 15ga, to be added to front door. (The consolette is supplied as a separate accessory). Paint: textured RAL 7032.

Door with push button panel for TSR - TFR cabinets

| | | | | | | | | | |
|-----------------|------------|------------|------------|------------|------------|------------|------------|------------|------------|
| W=mm | 600 | 800 | 1000 | 600 | 800 | 1000 | 600 | 800 | 1000 |
| H=mm | 1800 | 1800 | 1800 | 2000 | 2000 | 2000 | 2200 | 2200 | 2200 |
| TSR code | 511 | 512 | 513 | 514 | 515 | 516 | 517 | 518 | 519 |
| Weight (kg) | 29 | 37 | 45,5 | 30 | 40 | 55 | 31 | 39 | 50 |



DOOR WITH KEY BOARD SHELF FOR TSR - TFR

Made of sheet-metal, thickness 15ga, for Computer installations where a monitor and key board are needed. The supply includes: Central door with Monitor window and keyboard shelf and 2 additional horizontal shelves. Paint: textured RAL 7032.

Door with keyboard support TSR - TFR cabinets

| | | | | | | | | | |
|-----------------|------------|------------|------------|------------|------------|------------|--|--|--|
| W=mm | 790 | 990 | 790 | 990 | 790 | 990 | | | |
| H=mm | 1790 | 1790 | 1990 | 1990 | 2190 | 2190 | | | |
| TSR code | 551 | 552 | 553 | 554 | 555 | 556 | | | |
| Weight (kg) | 46 | 56 | 47 | 58 | 48 | 60 | | | |



INTERNAL DOORS-DEADFRONTS

Made of sheet-metal, thickness 16ga. Deadfront complete with hinges, mounted 70mm from the external door. Paint: textured RAL 7032. For cabinets 1200/1400/1600mm wide, the internal doors will be supplied in two parts, same as the external door.

Internal doors H1260/1460

| | | | | | | | | | |
|--------------------|------------|------------|------------|------------|------------|------------|------------|--|--|
| W=mm | 470 | 670 | 2x530 | 470 | 670 | 870 | 2x530 | | |
| H=mm | 1260 | 1260 | 1260 | 1460 | 1460 | 1460 | 1460 | | |
| For Cabinets H x W | 1400x600 | 1400x800 | 1400x1200 | 1600x600 | 1600x800 | 1600x1000 | 1600x1200 | | |
| TFR code | 381 | 382 | 386 | 383 | 384 | 385 | 387 | | |
| Weight (kg) | 10 | 13,4 | 20 | 11,5 | 15,4 | 19,2 | 22 | | |

Internal doors H1660

| | | | | | | | | | |
|--------------------|------------|------------|------------|------------|--------------|--------------|--|--|--|
| W=mm | 470 | 670 | 870 | 2x530 | 2x630 | 2x730 | | | |
| H=mm | 1660 | 1660 | 1660 | 1660 | 1660 | 1660 | | | |
| For Cabinets H x W | 1800x600 | 1800x800 | 1800x1000 | 1800x1200 | 1800x1400 | 1800x1600 | | | |
| TSR code | 381 | 382 | 383 | 384 | 384/1 | 384/2 | | | |
| Weight (kg) | 13 | 17 | 22 | 25 | 29 | 32 | | | |

Internal doors H1860

| | | | | | | | | | |
|--------------------|------------|------------|------------|------------|--------------|--------------|--|--|--|
| W=mm | 470 | 670 | 870 | 2x530 | 2x630 | 2x730 | | | |
| H=mm | 1860 | 1860 | 1860 | 1860 | 1860 | 1860 | | | |
| For Cabinets H x W | 2000x600 | 2000x800 | 2000x1000 | 2000x1200 | 2000x1400 | 2000x1600 | | | |
| TSR code | 385 | 386 | 387 | 388 | 388/1 | 388/2 | | | |
| Weight (kg) | 14 | 19 | 24 | 28 | 32 | 36 | | | |

Internal doors H2060

| | | | | | | | | | |
|--------------------|------------|------------|------------|------------|------------|------------|--|--|--|
| W=mm | 470 | 670 | 870 | 2x530 | 2x630 | 2x730 | | | |
| H=mm | 2060 | 2060 | 2060 | 2060 | 2060 | 2060 | | | |
| For Cabinets H x W | 2200x600 | 2200x800 | 2200x1000 | 2200x1200 | 2200x1400 | 2200x1600 | | | |
| TSR code | 389 | 390 | 391 | 392 | 393 | 394 | | | |
| Weight (kg) | 16 | 21 | 26 | 30 | 36 | 40 | | | |

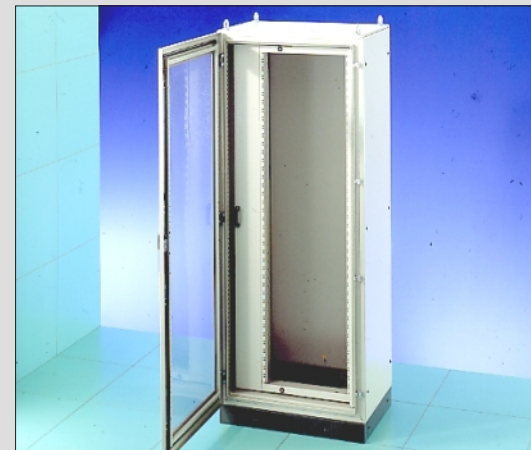


FRONT FRAME FOR 19" RACK SYSTEM

Front frame for 19" Rack system.

Front frame for 19" rack system

| | | | | | | | | | |
|-------------------|------------|------------|------------|--|--|--|--|--|--|
| No. HE | 36 | 40 | 45 | | | | | | |
| For Cabinets H.mm | 1800 | 2000 | 2200 | | | | | | |
| TSR code | 398 | 399 | 400 | | | | | | |
| Weight (kg) | 13,6 | 15,5 | 17,4 | | | | | | |

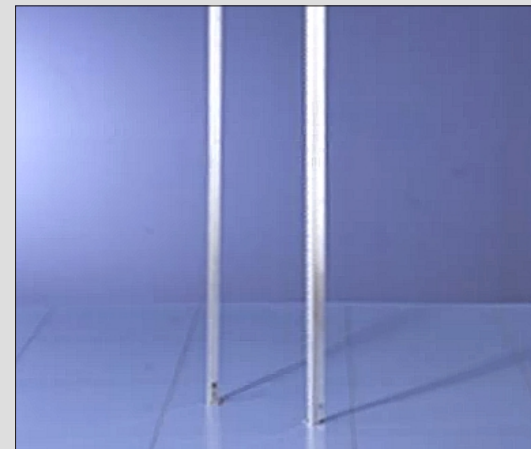


19" SWING RACK FOR TSR - TFR

Made of sheet-metal, thickness 16ga. 19" RACK for electronic components and 19" plate. Easy accessibility to all components thanks to 180° rotation of the frame. To be mounted only on cabinets 800 and 1000mm wide. Paint: textured RAL 7032.

19" swing frame with support for TSR - TFR cabinets

| | | | | | | | | | |
|--------------------|------------|------------|------------|------------|------------|------------|--|--|--|
| W=mm | 670 | 870 | 670 | 870 | 670 | 870 | | | |
| H=mm | 1685 | 1685 | 1885 | 1885 | 2085 | 2085 | | | |
| No Units HE | 35 | 35 | 40 | 40 | 44 | 44 | | | |
| For Cabinets H x W | 1800x800 | 1800x1000 | 2000x800 | 2000x1000 | 2200x800 | 2200x1000 | | | |
| TSR code | 401 | 402 | 403 | 404 | 405 | 406 | | | |
| Weight (kg) | 28 | 33 | 38 | 34 | 39 | 44 | | | |

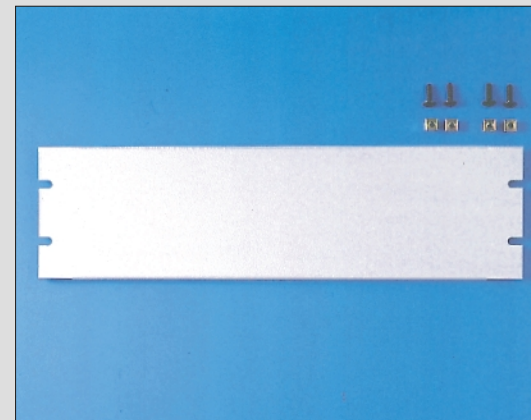


19" UPRIGHTS FOR TSR - TFR

Made of zinc-plated sheet-metal (Sendzimir), thickness 16ga. Set of uprights for 600mm wide cabinets. For mounting of 19" Rack components.

19" uprights for TSR - TFR cabinets

| | | | | | | | | | |
|-----------------|------------|------------|------------|------------|------------|------------|--|--|--|
| H=mm | 1100 | 1300 | 1500 | 1700 | 1900 | 2100 | | | |
| No. Units HE | 24 | 29 | 33 | 38 | 42 | 47 | | | |
| TSR code | 411 | 412 | 413 | 414 | 415 | 416 | | | |
| Weight (kg) | 2,5 | 3 | 3,4 | 3,9 | 4,5 | 5 | | | |



19" FRONT PANELS

Made of sheet-metal, thickness 16ga. To be mounted on the 19" Rack uprights. Paint: textured RAL 7032.

19" front panels

| | | | | | | | | | | | | | | | |
|-----------------|-------------|-------------|-------------|-------------|-------------|-------------|-------------|-------------|-------------|-------------|-------------|-------------|-------------|-------------|-------------|
| H=mm | 43,9 | 88,3 | 133 | 177 | 222 | 266 | 311 | 355 | 398 | 444 | 533 | 622 | 711 | 889 | 1066 |
| No. Cabinets HE | 1 | 2 | 3 | 4 | 5 | 6 | 7 | 8 | 9 | 10 | 12 | 14 | 16 | 20 | 24 |
| TSR code | 6551 | 6552 | 6553 | 6554 | 6555 | 6556 | 6557 | 6558 | 6559 | 6560 | 6561 | 6562 | 6563 | 6564 | 6565 |
| Weight (kg) | 0,5 | 0,7 | 0,9 | 1,1 | 1,4 | 1,6 | 1,8 | 2 | 2,3 | 2,6 | 3 | 3,4 | 3,9 | 4,9 | 5,9 |

MOUNTING PLATES FOR TSR - TFR

Made of zinc-plated sheet-metal (Sendzimir), thickness 12ga, complete with nylon rollers for easy installation inside each cabinet.

Internal mounting plates for TSR-TFR cabinets

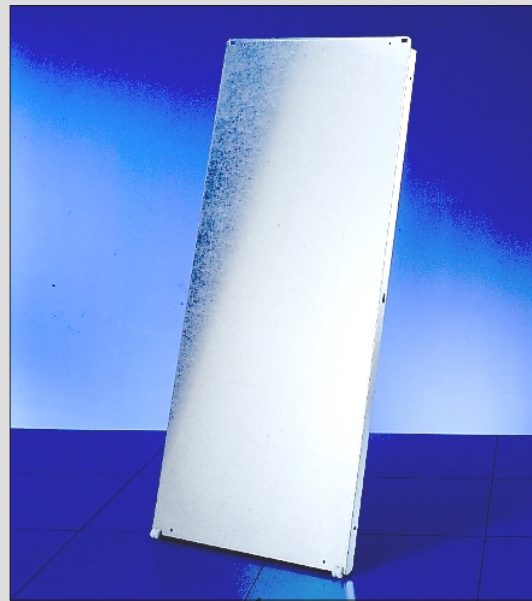
| | | | | | | | | |
|--------------------|------------|------------|------------|------------|------------|------------|------------|------------|
| W=mm | 500 | 700 | 1100 | 300 | 500 | 700 | 900 | 1100 |
| H=mm | 1300 | 1300 | 1300 | 1500 | 1500 | 1500 | 1500 | 1500 |
| For cabinets W x H | 600x1400 | 800x1400 | 1200x1400 | 400x1600 | 600x1600 | 800x1600 | 1000x1600 | 1200x1600 |
| TSR code | 101 | 102 | 106 | 108 | 103 | 104 | 105 | 107 |
| Weight (kg) | 13 | 17 | 23 | 13 | 15 | 19 | 22 | 26 |

Internal mounting plates for TSR-TFR cabinets

| | | | | | | | |
|--------------------|------------|------------|------------|------------|------------|------------|------------|
| W=mm | 300 | 500 | 700 | 900 | 1100 | 2x650 | 2x750 |
| H=mm | 1700 | 1700 | 1700 | 1700 | 1700 | 1700 | 1700 |
| For cabinets W x H | 400x1800 | 600x1800 | 800x1800 | 1000x1800 | 1200x1800 | 1400x1800 | 1600x1800 |
| TSR code | 100 | 101 | 102 | 103 | 104 | 109 | 110 |
| Weight (kg) | 10 | 16 | 28 | 35 | 42 | 49 | 56 |

| | | | | | | | |
|--------------------|------------|------------|------------|------------|------------|------------|------------|
| W=mm | 300 | 500 | 700 | 900 | 1100 | 2x650 | 2x750 |
| H=mm | 1900 | 1900 | 1900 | 1900 | 1900 | 1900 | 1900 |
| For cabinets W x H | 400x2000 | 600x2000 | 800x2000 | 1000x2000 | 1200x2000 | 1400x2000 | 1600x2000 |
| TSR code | 119 | 105 | 106 | 107 | 108 | 111 | 112 |
| Weight (kg) | 11 | 18 | 31 | 39 | 47 | 55 | 63 |

| | | | | | | | |
|--------------------|------------|------------|------------|------------|------------|------------|------------|
| W=mm | 300 | 500 | 700 | 900 | 1100 | 2x650 | 2x750 |
| H=mm | 2100 | 2100 | 2100 | 2100 | 2100 | 2100 | 2100 |
| For cabinets W x H | 400x2200 | 600x2200 | 800x2200 | 1000x2200 | 1200x2200 | 1400x2200 | 1600x2200 |
| TSR code | 120 | 113 | 114 | 115 | 116 | 117 | 118 |
| Weight (kg) | 12 | 20 | 34 | 43 | 52 | 61 | 70 |



INTERMEDIATE PLATES FOR TSR

Made of zinc-plated sheet-metal (Sendzimir), thickness 12ga, to be used to join internal plates in multi-bay systems.

Intermediate plates for TSR cabinets

| | | | | | | | |
|-------------------|------------|------------|------------|------------|------------|--|--|
| W=mm | 100 | 100 | 100 | 100 | 100 | | |
| H=mm | 1285 | 1485 | 1685 | 1885 | 2085 | | |
| For cabinets H mm | 1400 | 1600 | 1800 | 2000 | 2200 | | |
| TSR code | 124 | 125 | 121 | 122 | 123 | | |
| Weight (kg) | 4.5 | 5.5 | 6.8 | 7.6 | 8.4 | | |



MOUNTING PLATES - LATERAL INSERTION

Made of zinc-plated sheet-metal (Sendzimir), thickness 12ga, complete with mounting hardware.

Internal mounting plates (to be inserted laterally) TSR cabinets

| | | | | | | | |
|--------------------|------------|------------|------------|------------|------------|------------|------------|
| W=mm | 600 | 800 | 1200 | 600 | 800 | 1000 | 1200 |
| H=mm | 1300 | 1300 | 1300 | 1500 | 1500 | 1500 | 1500 |
| For cabinets W x H | 600x1400 | 800x1400 | 1200x1400 | 600x1600 | 800x1600 | 1000x1600 | 1200x1600 |
| TSR code | 235 | 236 | 237 | 238 | 239 | 240 | 241 |
| Weight (kg) | 20 | 25 | 30 | 22 | 28 | 35 | 41 |

| | | | | | | |
|--------------------|------------|------------|------------|------------|------------|------------|
| W=mm | 600 | 800 | 1000 | 1200 | 2x700 | 2x800 |
| H=mm | 1700 | 1700 | 1700 | 1700 | 1700 | 1700 |
| For cabinets W x H | 600x1800 | 800x1800 | 1000x1800 | 1200x1800 | 1400x1800 | 1600x1800 |
| TSR code | 217 | 218 | 219 | 220 | 221 | 222 |
| Weight (kg) | 25 | 32 | 39 | 46 | 54 | 62 |

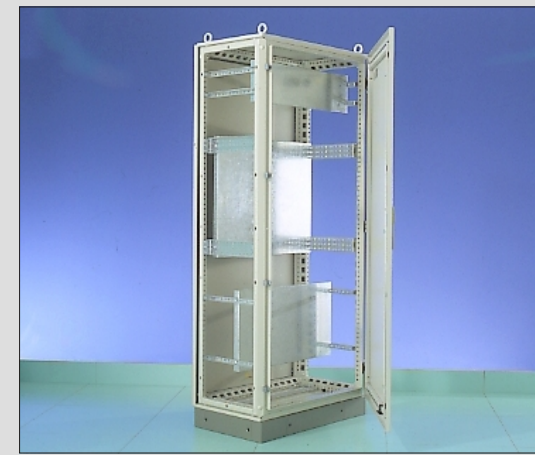
| | | | | | | |
|--------------------|------------|------------|------------|------------|------------|------------|
| W=mm | 600 | 800 | 1000 | 1200 | 2x700 | 2x800 |
| H=mm | 1900 | 1900 | 1900 | 1900 | 1900 | 1900 |
| For cabinets W x H | 600x2000 | 800x2000 | 1000x2000 | 1200x2000 | 1400x2000 | 1600x2000 |
| TSR code | 223 | 224 | 225 | 226 | 227 | 228 |
| Weight (kg) | 28 | 35 | 43 | 51 | 60 | 69 |

| | | | | | | |
|--------------------|------------|------------|------------|------------|------------|------------|
| W=mm | 600 | 800 | 1000 | 1200 | 2x700 | 2x800 |
| H=mm | 2100 | 2100 | 2100 | 2100 | 2100 | 2100 |
| For cabinets W x H | 600x2200 | 800x2200 | 1000x2200 | 1200x2200 | 1400x2200 | 1600x2200 |
| TSR code | 229 | 230 | 231 | 232 | 233 | 234 |
| Weight (kg) | 31 | 38 | 47 | 56 | 66 | 76 |



PARTIAL INTERNAL PLATE

Made of zinc-plated sheet-metal (Sendzimir), thickness 12ga, for mounting components at various depths. They can be ordered with four support bars.

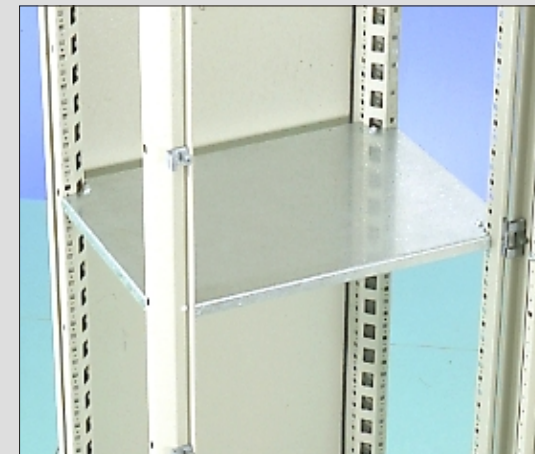


Internal mounting plates (partial)

| | | | | | | | | | | | | | | | | |
|-----------------|------------|------------|------------|------------|------------|------------|------------|------------|------------|------------|------------|------------|------------|------------|------------|------------|
| W=mm | 498 | 498 | 498 | 498 | 698 | 698 | 698 | 698 | 898 | 898 | 898 | 898 | 1098 | 1098 | 1098 | 1098 |
| H=mm | 200 | 300 | 400 | 500 | 200 | 300 | 400 | 500 | 200 | 300 | 400 | 500 | 200 | 300 | 400 | 500 |
| For cabinets W | 600 | 600 | 600 | 600 | 800 | 800 | 800 | 800 | 1000 | 1000 | 1000 | 1000 | 1200 | 1200 | 1200 | 1200 |
| TSR code | 201 | 202 | 203 | 204 | 205 | 206 | 207 | 208 | 209 | 210 | 211 | 212 | 213 | 214 | 215 | 216 |
| Weight (kg) | 2.3 | 3.2 | 4.1 | 5 | 3.2 | 4.1 | 5 | 5.9 | 4 | 4.9 | 5.8 | 6.7 | 4.8 | 5.7 | 6.6 | 7.5 |

FIXED SHELF

Made of zinc-plated sheet-metal (Sendzimir), thickness 12ga. Fixed shelf, height adjustable, to be used only without the internal subplate.



Horizontal dividing elements TSR cabinets (without plate)

| | | | | | | | | | | |
|--------------------|------------|------------|------------|------------|------------|------------|------------|------------|------------|------------|
| W=mm | 600 | 600 | 600 | 600 | 600 | 800 | 800 | 800 | 800 | 800 |
| D=mm | 340 | 440 | 540 | 740 | 940 | 340 | 440 | 540 | 740 | 940 |
| For cabinets W x D | 600x400 | 600x500 | 600x600 | 600x800 | 600x1000 | 800x400 | 800x500 | 800x600 | 800x800 | 800x1000 |
| TSR code | 301 | 302 | 303 | 304 | 305 | 306 | 307 | 308 | 309 | 310 |
| Weight (kg) | 2.8 | 3.5 | 4.2 | 5.3 | 6.7 | 3.2 | 4.2 | 5.2 | 7 | 9 |

| | | | | | | | | | | |
|--------------------|------------|------------|------------|------------|------------|------------|------------|------------|------------|------------|
| W=mm | 1000 | 1000 | 1000 | 1000 | 1000 | 1200 | 1200 | 1200 | 1200 | 1200 |
| D=mm | 340 | 440 | 540 | 740 | 940 | 340 | 440 | 540 | 740 | 940 |
| For cabinets W x D | 1000x400 | 1000x500 | 1000x600 | 1000x800 | 1000x1000 | 1200x400 | 1200x500 | 1200x600 | 1200x800 | 1200x1000 |
| TSR code | 311 | 312 | 313 | 314 | 315 | 316 | 317 | 318 | 319 | 320 |
| Weight (kg) | 4.1 | 5.3 | 6.4 | 8.8 | 11 | 5.9 | 6.3 | 7.7 | 10.5 | 13.3 |

FIXED SHELF (with subplate)

Made of zinc-plated sheet-metal (Sendzimir), thickness 12ga. Fixed shelf, height adjustable, to be used only when the internal subplate is already mounted.



Horizontal dividing elements TSR cabinets (with plate)

| | | | | | | | | | | |
|--------------------|------------|------------|------------|------------|------------|------------|------------|------------|------------|------------|
| W=mm | 600 | 600 | 600 | 600 | 600 | 800 | 800 | 800 | 800 | 800 |
| D=mm | 300 | 400 | 500 | 700 | 900 | 300 | 400 | 500 | 700 | 900 |
| For cabinets W x D | 600x400 | 600x500 | 600x600 | 600x800 | 600x1000 | 800x400 | 800x500 | 800x600 | 800x800 | 800x1000 |
| TSR code | 321 | 322 | 323 | 324 | 325 | 326 | 327 | 328 | 329 | 330 |
| Weight (kg) | 2.8 | 3.5 | 4.2 | 5.3 | 6.7 | 3.2 | 4.2 | 5.2 | 7 | 9 |

| | | | | | | | | | | |
|--------------------|------------|------------|------------|------------|------------|------------|------------|------------|------------|------------|
| W=mm | 1000 | 1000 | 1000 | 1000 | 1000 | 1200 | 1200 | 1200 | 1200 | 1200 |
| D=mm | 300 | 400 | 500 | 700 | 900 | 300 | 400 | 500 | 700 | 900 |
| For cabinets W x D | 1000x400 | 1000x500 | 1000x600 | 1000x800 | 1000x1000 | 1200x400 | 1200x500 | 1200x600 | 1200x800 | 1200x1000 |
| TSR code | 331 | 332 | 333 | 334 | 335 | 336 | 337 | 338 | 339 | 340 |
| Weight (kg) | 4.1 | 5.3 | 6.4 | 8.8 | 11 | 5.9 | 6.3 | 7.7 | 10.5 | 13.3 |

PULL-DOWN SHELF

Mounted on the inside of door. Used to store prints etc. Paint: textured RAL 7032.



Work-shelves

| | | |
|-------------|---------------------------------|---------------------------------|
| Code | DRC 777 | DRC 778 |
| Description | For doors cabinets width 600 mm | For doors cabinets width 800 mm |



VERTICAL DIVIDER PANEL FOR TSR

Made of sheet-metal, thickness 16ga, provides a vertical partition to two cabinets adjoined together.

Vertical solid dividing element between two cabinets

| | | | | | | | | | | |
|--------------------|------------|------------|------------|------------|------------|------------|--|--|--|--|
| W=mm | 250 | 350 | 450 | 250 | 350 | 450 | | | | |
| H=mm | 1300 | 1300 | 1300 | 1500 | 1500 | 1500 | | | | |
| For cabinets H x W | 1400x400 | 1400x500 | 1400x600 | 1600x400 | 1600x500 | 1600x600 | | | | |
| TSR code | 829 | 830 | 831 | 832 | 833 | 834 | | | | |
| Weight (kg) | 4 | 4.5 | 5 | 4.5 | 5 | 6 | | | | |

| | | | | | | | | | | |
|--------------------|------------|------------|------------|------------|------------|------------|------------|------------|------------|------------|
| W=mm | 250 | 350 | 450 | 650 | 850 | 250 | 350 | 450 | 650 | 850 |
| H=mm | 1700 | 1700 | 1700 | 1700 | 1700 | 1900 | 1900 | 1900 | 1900 | 1900 |
| For cabinets H x W | 1800x400 | 1800x500 | 1800x600 | 1800x800 | 1800x1000 | 2000x400 | 2000x500 | 2000x600 | 2000x800 | 2000x1000 |
| TSR code | 681 | 682 | 683 | 684 | 685 | 686 | 687 | 688 | 689 | 690 |
| Weight (kg) | 5 | 5.5 | 6 | 7 | 8 | 5.5 | 6 | 6.5 | 7.5 | 8.5 |

| | | | | | | | | | | |
|--------------------|------------|------------|------------|------------|------------|--|--|--|--|--|
| W=mm | 250 | 350 | 450 | 650 | 850 | | | | | |
| H=mm | 2100 | 2100 | 2100 | 2100 | 2100 | | | | | |
| For cabinets H x W | 2200x400 | 2200x500 | 2200x600 | 2200x800 | 2200x1000 | | | | | |
| TSR code | 691 | 692 | 693 | 694 | 695 | | | | | |
| Weight (kg) | 6 | 6.5 | 7 | 8 | 9 | | | | | |

CONNECTOR PLATE

Made of zinc-plated sheet-metal (Sendzimir), thickness 12ga. Predrilled for 24 pole connectors.



Vertical drilled dividing element between two cabinets

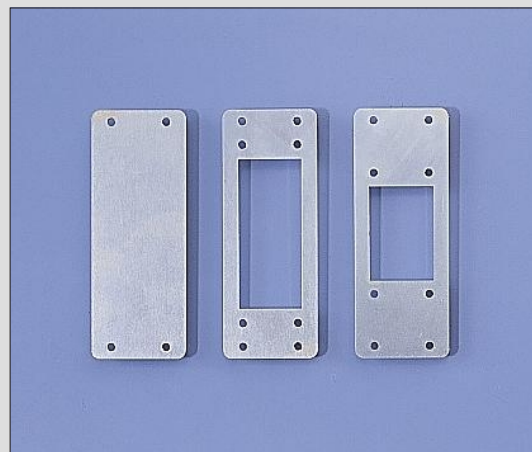
| | | | | | | | | | | |
|--------------------|--------------|--------------|--------------|--------------|--------------|--------------|--|--|--|--|
| W=mm | 250 | 350 | 450 | 250 | 350 | 450 | | | | |
| H=mm | 1300 | 1300 | 1300 | 1500 | 1500 | 1500 | | | | |
| For cabinets H x W | 1400x400 | 1400x500 | 1400x600 | 1600x400 | 1600x500 | 1600x600 | | | | |
| TSR code | 829/c | 830/c | 831/c | 832/c | 833/c | 834/c | | | | |
| Weight (kg) | 4 | 4.5 | 5 | 4.5 | 5 | 6 | | | | |

| | | | | | | | | | | |
|--------------------|--------------|--------------|--------------|--------------|--------------|--------------|--------------|--------------|--------------|--------------|
| W=mm | 250 | 350 | 450 | 650 | 850 | 250 | 350 | 450 | 650 | 850 |
| H=mm | 1700 | 1700 | 1700 | 1700 | 1700 | 1900 | 1900 | 1900 | 1900 | 1900 |
| For cabinets H x W | 1800x400 | 1800x500 | 1800x600 | 1800x800 | 1800x1000 | 2000x400 | 2000x500 | 2000x600 | 2000x800 | 2000x1000 |
| TSR code | 681/c | 682/c | 683/c | 684/c | 685/c | 686/c | 687/c | 688/c | 689/c | 690/c |
| Weight (kg) | 5 | 5.5 | 6 | 7 | 8 | 5.5 | 6 | 6.5 | 7.5 | 8.5 |

| | | | | | | | | | | |
|--------------------|--------------|--------------|--------------|--------------|--------------|--|--|--|--|--|
| W=mm | 250 | 350 | 450 | 650 | 850 | | | | | |
| H=mm | 2100 | 2100 | 2100 | 2100 | 2100 | | | | | |
| For cabinets H x W | 2200x400 | 2200x500 | 2200x600 | 2200x800 | 2200x1000 | | | | | |
| TSR code | 691/c | 692/c | 693/c | 694/c | 695/c | | | | | |
| Weight (kg) | 6 | 6.5 | 7 | 8 | 9 | | | | | |

ADAPTOR CONNECTOR PLATES

Made of zinc-plated sheet-metal (Sendzimir), thickness 12ga. Plates for various connector types or for closing cut-outs.



Adapters plates for connectors

| | | | |
|-------------|-----------------------------|----------------------------|----------------------------|
| Code | TSR 696 | TSR 697 | TSR 698 |
| Description | 24-pole closure solid plate | 24/16-pole reduction plate | 24/10-pole reduction plate |

PULL-OUT SHELVES

Made of sheet-metal, thickness 16ga, complete with telescopic rails fixed on the vertical uprights. Paint: textured RAL 7035.



Shelf

| | | | | | | |
|--------------------|------------|------------|------------|------------|------------|------------|
| W=mm | 475 | 475 | 475 | 475 | 675 | 675 |
| D=mm | 250 | 350 | 450 | 650 | 250 | 350 |
| For cabinets W x D | 600x400 | 600x500 | 600x600 | 600x800 | 800x400 | 800x500 |
| TSR code | 285 | 286 | 287 | 288 | 289 | 290 |

| | | | | | | |
|--------------------|------------|------------|------------|------------|------------|------------|
| W=mm | 675 | 675 | 875 | 875 | 875 | 875 |
| D=mm | 450 | 650 | 250 | 350 | 450 | 650 |
| For cabinets W x D | 800x600 | 800x800 | 1000x400 | 1000x500 | 1000x600 | 1000x800 |
| TSR code | 291 | 292 | 293 | 294 | 295 | 296 |

PRINTER TROLLEY

Used inside the LAN cabinets to house printer and paper.

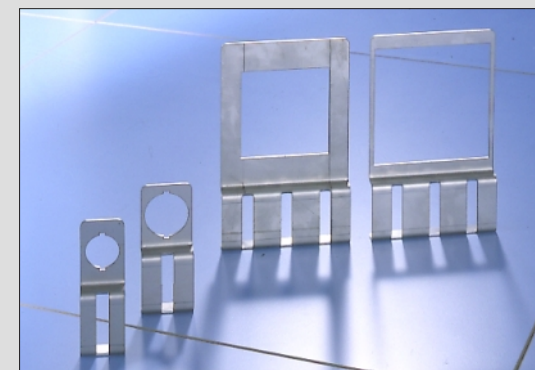


Printer trolley

| | |
|-------------|-----------------------------|
| Code | ST1 |
| Description | Extractable printer trolley |

BRACKETS FOR WIRE DUCTS

Made of sheet-metal, thickness 16ga, brackets to be mounted behind pushbuttons, meters etc. to support wire ducts.



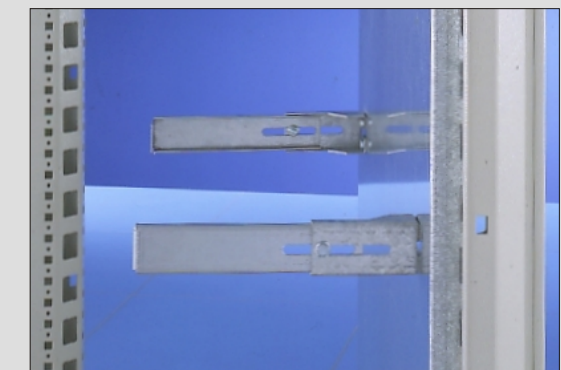
Instruments supports

| | | |
|-------------|--|--|
| Code | SC 22 | SC 30 |
| Description | Duct holder bracket on button diam. 22 | Duct holder bracket on button diam. 30 |

| | | |
|-------------|---|---|
| Code | SC 72 | SC 96 |
| Description | Duct holder bracket on instrument 72x72 | Duct holder bracket on instrument 96x96 |

ADJUSTABLE SUPPORT BRACKETS

Made of sheet-metal, thickness 16ga, to be mounted on subplate.

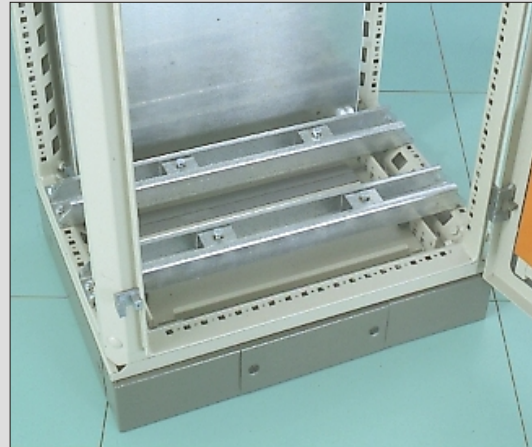


Adjustable internal supports

| | | | |
|--------------------|-----------|-----------|-----------|
| TSR code | 96 | 97 | 98 |
| For cabinets Depth | 400 | 500 | 600 |

TRANSFORMERS SUPPORTS

Made of sheet-metal, thickness 14ga. Used as support for transformers inside bottom of cabinet.

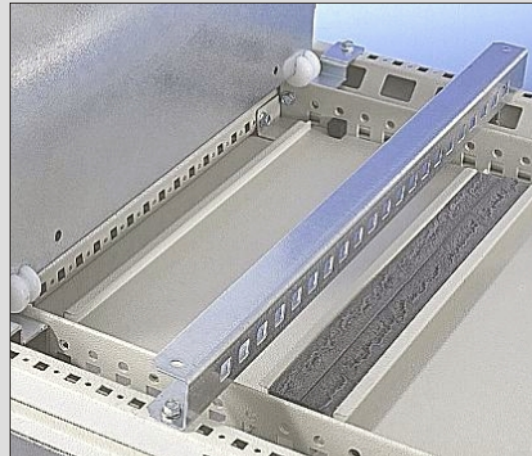


Transformers supports

| W=mm | 600 | 800 | 1000 | 1200 |
|---------------|----------------|----------------|----------------|----------------|
| No. of pieces | 2 | 2 | 2 | 2 |
| Code | TSR 901 | TSR 902 | TSR 903 | TSR 904 |

SUPPORT BAR FOR CABLES

Made of zinc-plated sheet-metal, thickness 14ga. Used to reduce traction while running cables inside cabinet.

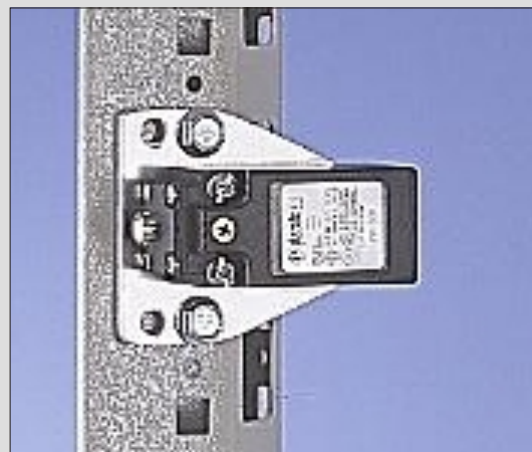


Cables support bar

| Code | TSR 704 | TSR 705 |
|-------------|---|--|
| Description | Cables support bar H 40 mm for cabinets W 400 | Cables support bar H 40 mm for cabinets W 600 |
| Code | TSR 706 | TSR 707 |
| Description | Cables support bar H 40 mm for cabinets W 800 | Cables support bar H 40 mm for cabinets W 1000 |
| Code | TSR 708 | TSR 709 |
| Description | Cables support bar H 40 mm for cabinets W 1200 | Cables support bar H 40 mm for cabinets W 1400 |
| Code | TSR 710 | |
| Description | SCables support bar H 40 mm for cabinets W 1600 | |

DOOR SWITCH

Used for switching various components on or off, upon opening of door. Mounting hardware included.

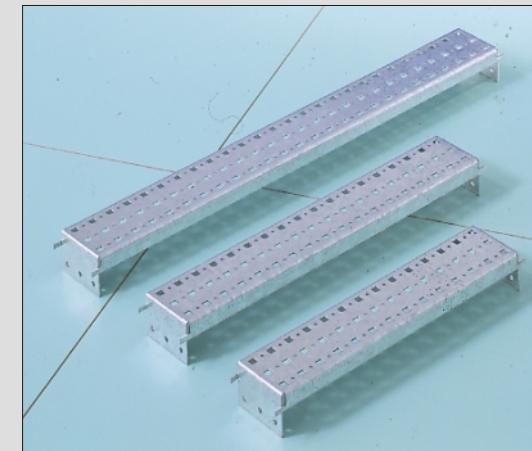
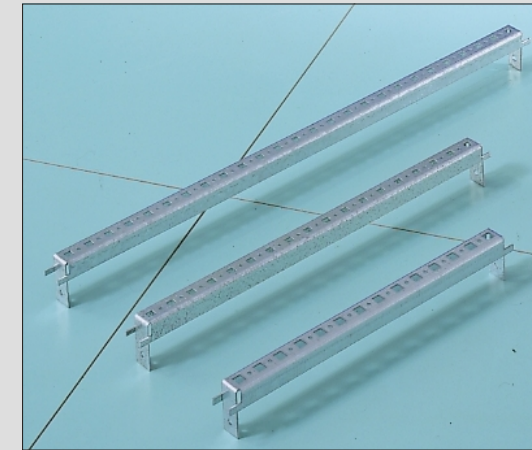


Switch for doors

| Code | VR0501 |
|-------------|------------------|
| Description | Switch for doors |

SYSTEM BARS 25-50-75MM FOR TSR CABINETS

Made of sheet-metal, thickness 16ga, with various dimensions. To be mounted vertically or horizontally inside TSR cabinets. Pre-drilled with a 25mm (1") pitch.



| Code | Description | Code | Description |
|----------------|--|----------------|--|
| TSR 721 | Side cross bar H25xW250 for cabinets D400 | TSR 726 | Front cross bar H25xW500 for cabinets W600 |
| TSR 722 | Side cross bar H25xW350 for cabinets D500 | TSR 727 | Front cross bar H25xW700 for cabinets W800 |
| TSR 723 | Side cross bar H25xW450 for cabinets D600 | TSR 728 | Front cross bar H25xW900 for cabinets W1000 |
| TSR 724 | Side cross bar H25xW650 for cabinets D800 | TSR 729 | Front cross bar H25xW1100 for cabinets W1200 |
| TSR 725 | Side cross bar H25xW850 for cabinets D1000 | | |

| | | | |
|----------------|--|----------------|--|
| TSR 752 | Side cross bar H50xW250 for cabinets D400 | TSR 757 | Front cross bar H50xW500 for cabinets W600 |
| TSR 753 | Side cross bar H50xW350 for cabinets D500 | TSR 758 | Front cross bar H50xW700 for cabinets W800 |
| TSR 754 | Side cross bar H50xW450 for cabinets D600 | TSR 759 | Front cross bar H50xW900 for cabinets W1000 |
| TSR 755 | Side cross bar H50xW650 for cabinets D800 | TSR 760 | Front cross bar H50xW1100 for cabinets W1200 |
| TSR 756 | Side cross bar H50xW850 for cabinets D1000 | | |

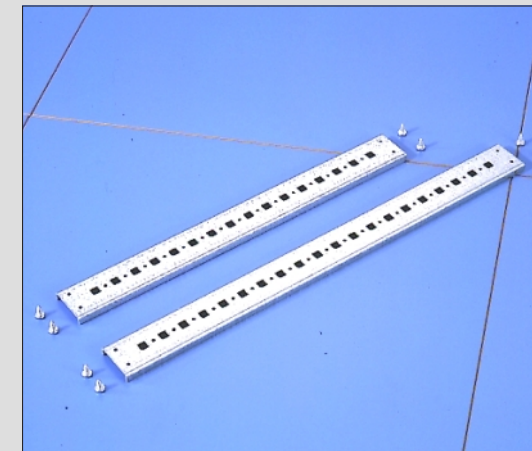
| | |
|----------------|--|
| TSR 761 | Pre-drilled vertical cross bar H50xW1700xD50 |
| TSR 762 | Pre-drilled vertical cross bar H50xW1900xD50 |
| TSR 763 | Pre-drilled vertical cross bar H50xW2100xD50 |

| | | | |
|----------------|--|----------------|--|
| TSR 741 | Side cross bar H75xW250 for cabinets D400 | TSR 746 | Front cross bar H75xW500 for cabinets W600 |
| TSR 742 | Side cross bar H75xW350 for cabinets D500 | TSR 747 | Front cross bar H75xW700 for cabinets W800 |
| TSR 743 | Side cross bar H75xW450 for cabinets D600 | TSR 748 | Front cross bar H75xW900 for cabinets W1000 |
| TSR 744 | Side cross bar H75xW650 for cabinets D800 | TSR 749 | Front cross bar H75xW1100 for cabinets W1200 |
| TSR 745 | Side cross bar H75xW850 for cabinets D1000 | | |

| | |
|----------------|--|
| TSR 750 | Pre-drilled vertical cross bar H75xW1700xD50 |
| TSR 751 | Pre-drilled vertical cross bar H75xW1900xD50 |
| TSR 764 | Pre-drilled vertical cross bar H75xW2100xD50 |

SYSTEM BARS FOR TFR CABINETS

Made of sheet-metal, thickness 16ga, with various dimensions. To be mounted only horizontally inside TFR cabinets. Pre-drilled with a 25mm (1") pitch.



| Code | Description |
|---------------|---|
| TFR 44 | Side cross bar W345 x H49 for cabinets D400 |
| TFR 45 | Side cross bar W445 x H49 for cabinets D500 |

SYSTEM BARS FOR DOORS

Made of sheet-metal, thickness 16ga. Pre-drilled with a 25mm (1") pitch. Used as door stiffener or for mounting various components. Paint: textured RAL 7032.



| Code | Description |
|----------------|---|
| TSR 771 | Cross bar for door inside W458 for cabinets W600 |
| TSR 772 | Cross bar for door inside W658 for cabinets W800 |
| TSR 773 | Cross bar for door inside W858 for cabinets W1000 |

ALL DIMENSIONS IN MM (1 INCH=25.4 MM)

LIFTING EYEBOLTS

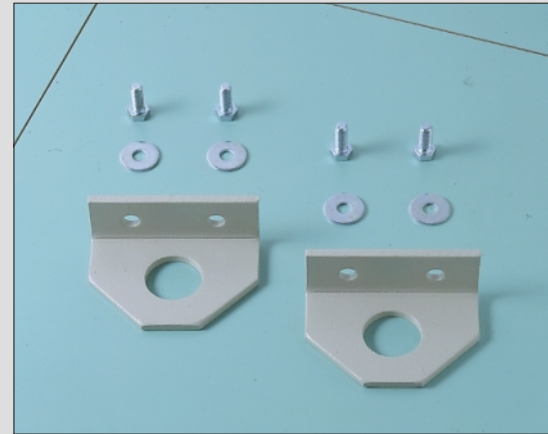
Made of zinc passivated steel M12, to be screwed in on the cabinet structure.
Pack: 4 pcs.



| Code | Description |
|-------|---------------------|
| 88427 | Lifting eyebolt M12 |

CRANE LIFTING EYEBOLTS

Made of sheet-metal, thickness 8mm, for crane transportation of enclosures.
Paint: RAL 7032. Supply: 1 double eyebolt, 2 bolts 12x30 and 2 washers 12x36mm.



| Code | Description |
|-----------|------------------------|
| TSR 910/B | Double lifting eyebolt |

LIFTING BARS

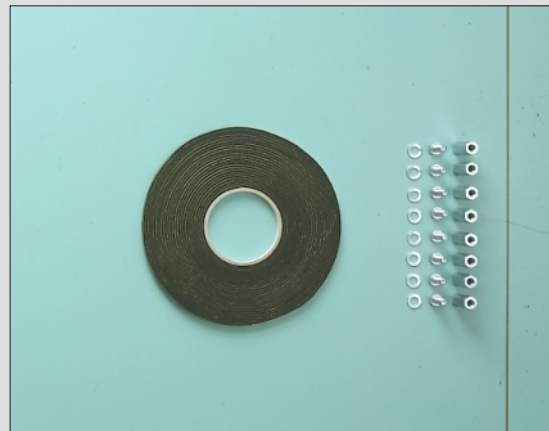
Heavy duty angle bars used for lifting of multi-bay cabinets. 2 pieces, dimensions to be specified upon order.
Paint: textured RAL 7032.



| Code | Description |
|--------|--|
| TSR 99 | Pair of lifting cross bars (width to be specified) |

JOINING KIT FOR TSR CABINETS

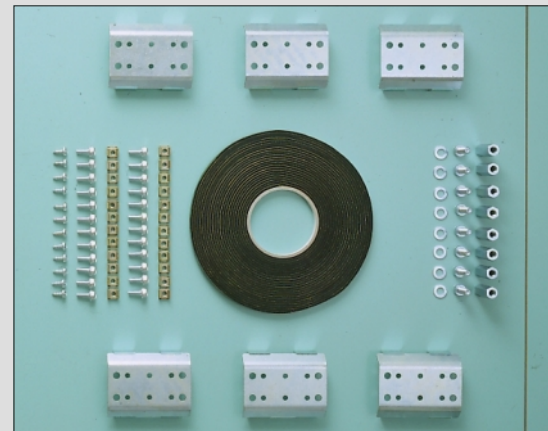
Accessories for joining enclosures together. Standard supply: 8 pcs. hexagonal head screws diam. 8mm with washers, 8 pcs. hexagonal bolts 8mm with washers. - Adhesive rubber gasket.



| Code | Description |
|---------|------------------------------|
| TSR 938 | Joining set for TSR cabinets |

JOINING AND REINFORCING KIT FOR TSR CABINETS

Used to strengthen enclosures coupling. Mounting hardware included.

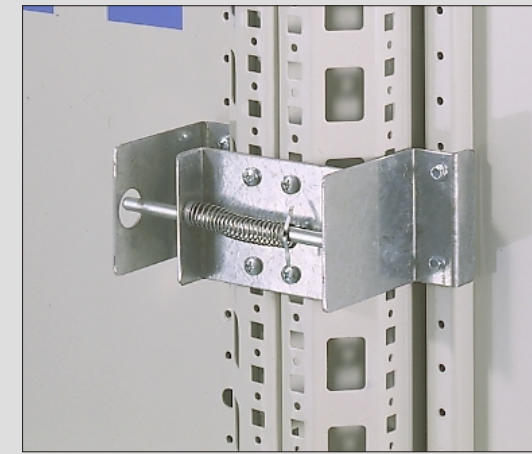


| Code | Description |
|---------|------------------------------|
| TSR 939 | Joining set for TSR cabinets |

ALL DIMENSIONS IN MM (1 INCH=25.4 MM)

MECHANICAL INTERLOCK

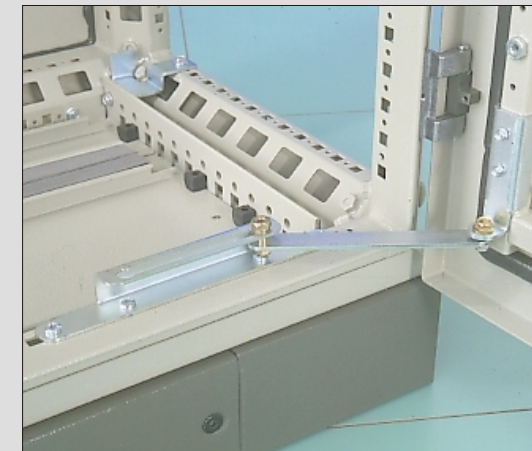
Made of sheet-metal, thickness 14ga. It allows the mechanical interlocking of the doors of 2 adjoined TSR cabinets.



| Code | Description |
|---------|--|
| TSR 931 | Mechanical interlock for doors of TSR cabinets |

DOOR STOP

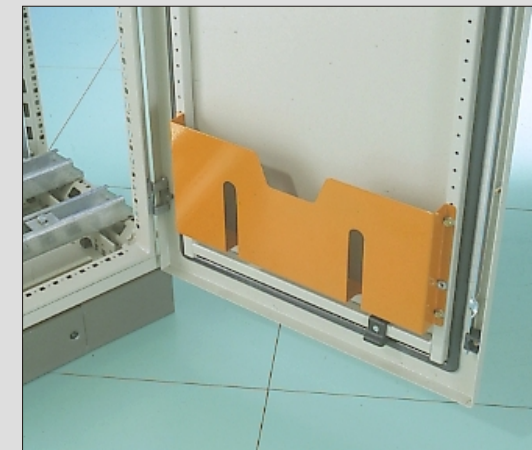
Made of sheet-metal, thickness 14ga. Used to block door at 90° and prevent accidental closing.



| Code | Description |
|---------|-------------|
| TSR 927 | Door stop |

METAL PRINT POCKET

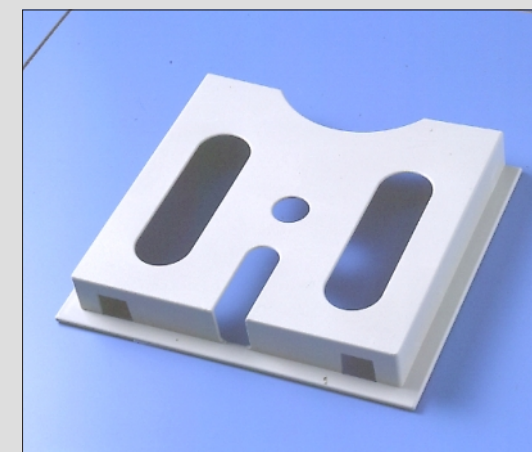
Made of sheet-metal, thickness. 16ga, to be mounted on the insided of doors. Paint: RAL 2004.



| Code | Description |
|---------|--|
| TSR 781 | Metal document pocket W.428 mm for cabinets D.600 |
| TSR 782 | Metal document pocket W.628 mm for cabinets D.800 |
| TSR 783 | Metal document pocket W.828 mm for cabinets D.1000 |
| TSR 784 | Metal document pocket W.528 mm for cabinets D.700 |

PLASTIC PRINT POCKET

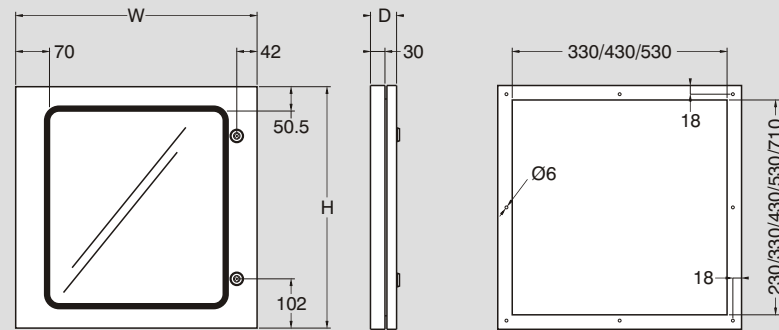
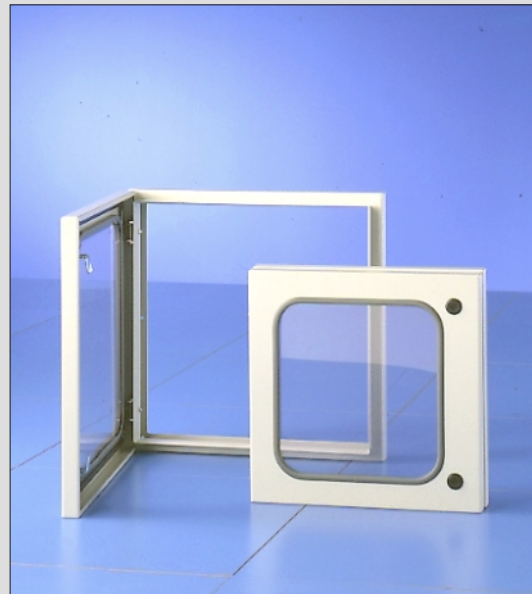
Made of plastic A4 size, with adhesive back. Paint: RAL 7032.



| Code | Description |
|-------|-------------------------|
| 88422 | Plastic document pocket |

VIEWING WINDOW KIT

Made of sheet-metal, thickness 16ga, with front hinged door and transparent window. To protect instruments and other components. Paint: textured RAL 7032.

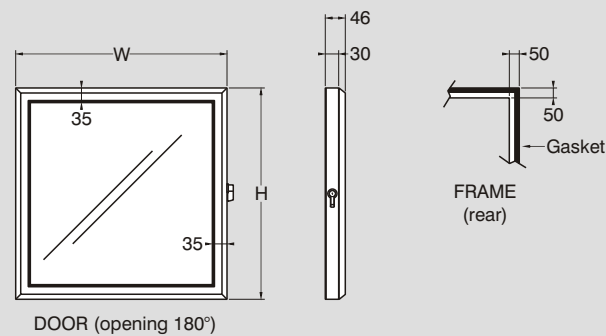


Window kit for control panels

| | | | | | | | | |
|---------|------|------|------|------|------|------|--|--|
| W=mm | 390 | 490 | 590 | 590 | 590 | 590 | | |
| H=mm | 390 | 490 | 290 | 390 | 590 | 740 | | |
| D=mm | 60 | 60 | 60 | 60 | 60 | 60 | | |
| CP code | 3939 | 4949 | 5929 | 5939 | 5959 | 5974 | | |

ALUMINIUM WINDOW KIT

Made of aluminium, with hinged door and transparent window. To protect instruments and other components.



Aluminium window kit for control panels

| | | | | | | | | |
|---------|------|------|------|--|--|--|--|--|
| W=mm | 400 | 500 | 600 | | | | | |
| H=mm | 400 | 500 | 600 | | | | | |
| D=mm | 46 | 46 | 46 | | | | | |
| CP code | 4040 | 5050 | 6060 | | | | | |

RAIN CANOPY FOR WALL-MOUNTED BOXES

Made of sheet-metal, thickness 16ga. Recommended for outdoor installations as an additional protection against rain, snow etc. Paint: textured RAL 7032.



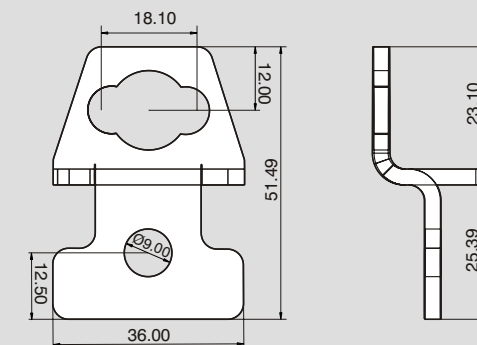
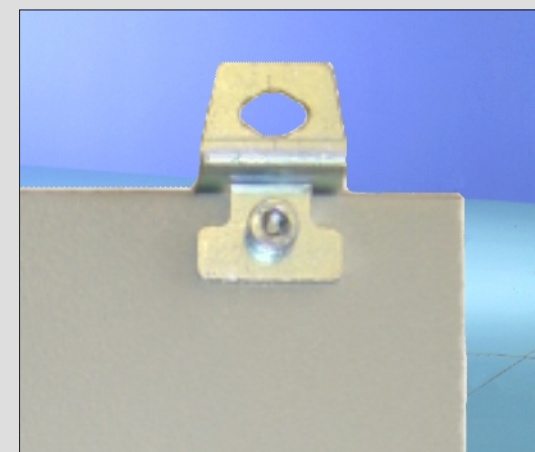
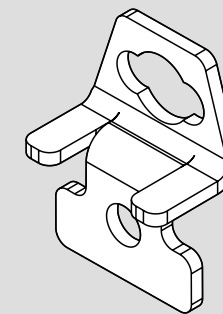
Metal rain canopy for "2800" boxes.

| | | | | | | |
|-----------------|---------|---------|---------|---------|---------|---------|
| W=mm | 310 | 360 | 410 | 410 | 510 | 510 |
| D=mm | 230 | 230 | 230 | 280 | 230 | 280 |
| For Boxes W x D | 300x200 | 350x200 | 400x200 | 400x250 | 500x200 | 500x250 |
| D93 code | 90 | 101 | 91 | 92 | 93 | 94 |

| | | | | | | |
|-----------------|---------|---------|---------|---------|---------|---------|
| W=mm | 610 | 610 | 610 | 810 | 810 | 810 |
| D=mm | 230 | 280 | 330 | 230 | 280 | 330 |
| For Boxes W x D | 600x200 | 600x250 | 600x300 | 800x200 | 800x250 | 800x300 |
| D93 code | 95 | 96 | 97 | 98 | 99 | 100 |

WALL MOUNTING BRACKETS 88475

Made of zinc plated sheet-metal (Sendzimir) or Stainless Steel, thickness 10ga. For all Wall-Mounted and Junction boxes. Pack: 4 pcs.

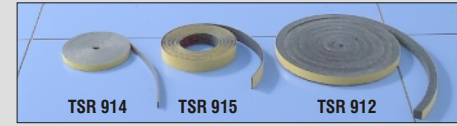


| Code | Description |
|----------------|--------------------------|
| 88475/88475-SS | Set: 4 mounting brackets |

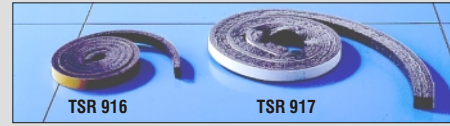
ALL DIMENSIONS IN MM (1 INCH=25.4 MM)

Gasket. Several types of gaskets to increase the protection degree of cabinets.

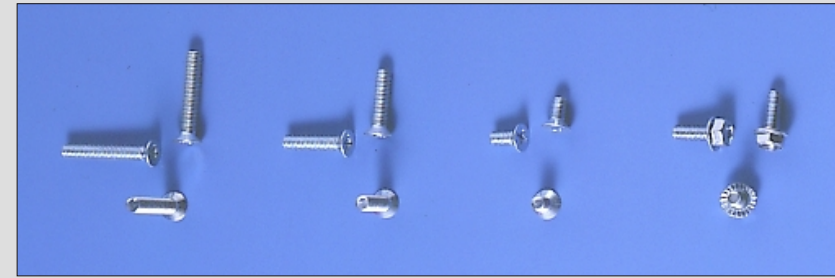
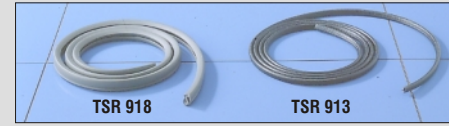
| Code | Description |
|---------|-----------------------|
| TSR 914 | Adhesive gasket 3x10 |
| TSR 915 | Adhesive gasket 3x20 |
| TSR 912 | Adhesive gasket 12x12 |



| Code | Description |
|---------|---------------------------------------|
| TSR 916 | Adhesive gasket 10x20 |
| TSR 917 | Adhesive gasket 25x20 for cable entry |



| Code | Description |
|---------|-------------------------|
| TSR 918 | Adhesive for PVC window |
| TSR 913 | "U" shaped gasket |



Screws with flat phillips and hexagonal head.

| Code | Description |
|---------|---------------------------|
| TSR 950 | Screw with phillips head |
| TSR 951 | Screw with phillips head |
| TSR 952 | Screw with phillips head |
| TSR 953 | Screw with hexagonal head |



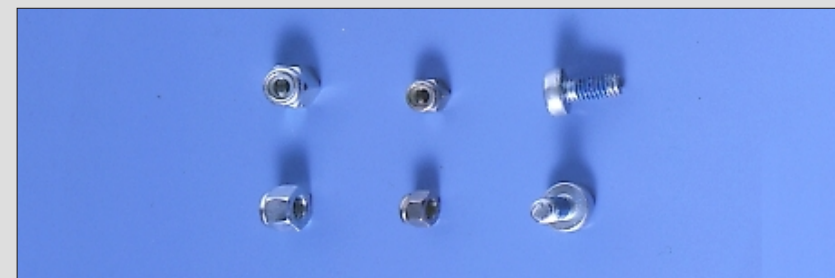
Screws with hexagonal, phillips or Comby head.

| Code | Description |
|---------|--|
| TSR 954 | Zinc plated steel screw with hexagonal head 8x16 (50 pcs.) |
| TSR 955 | Zinc plated steel screw with phillips head |
| TSR 956 | Zinc plated steel screw with Comby head 6x20 (50 pcs.) |
| TSR 957 | Zinc plated steel screw Comby head 6x35 (50 pcs.) |
| TSR 949 | Self-threading screw with hexagonal head 6x16 (50 pcs.) |



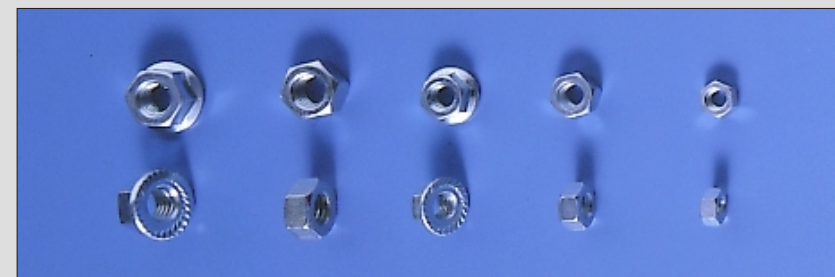
Self-tapping screws with hexagonal or phillips head.

| Code | Description |
|---------|---|
| TSR 958 | Self-tapping screw with hexagonal head 6x16 (50 pcs.) |
| TSR 959 | Self-tapping screw with convex head 6x15 (50 pcs.) |
| TSR 960 | Self-tapping screw with phillips head |
| TSR 961 | Self-tapping screw with phillips head |
| TSR 962 | Self-tapping screw with flat phillips head |
| TSR 963 | Self-tapping screw with hexagonal head 4x15 (50 pcs.) |



Self-locking nuts and screws.

| Code | Description |
|---------|--|
| TSR 964 | Self-locking zinc plated steel nut M6 (50 pcs.) |
| TSR 965 | Self-locking stainless steel nut M5 (50 pcs.) |
| TSR 966 | Self-locking zinc plated steel screw with phillips head 6x12 (50 pcs.) |



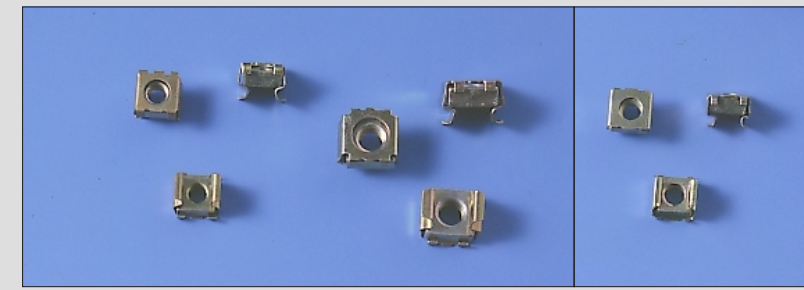
Zinc plated steel and flanged nuts.

| Code | Description |
|---------|--|
| TSR 967 | Flanged zinc plated steel nut M8 (50 pcs.) |
| TSR 968 | Zinc plated steel nut M8 (50 pcs.) |
| TSR 969 | Flanged zinc plated steel nut M6 (50 pcs.) |
| TSR 970 | Zinc plated steel nut M6 (50 pcs.) |
| TSR 971 | Zinc plated steel nut M5 (50 pcs.) |

Zinc plated steel washers.

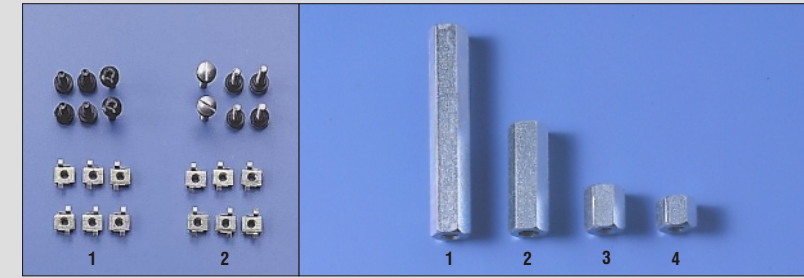
| | |
|---------|---|
| TSR 977 | Zinc plated steel washer 8x24 (50 pcs.) |
| TSR 978 | Zinc plated steel washer 6x18 (50 pcs.) |

ALL DIMENSIONS IN MM (1 INCH=25.4 MM)



Zinc plated caged nuts.

| Code | Description |
|---------|--|
| TSR 972 | Zinc plated caged nut M12 14x14 (50 pcs.) |
| TSR 973 | Zinc plated caged nut M8 12.5x12.5 (50 pcs.) |
| TSR 974 | Zinc plated caged nut M6 9.5x9.5 (50 pcs.) |
| TSR 975 | Zinc plated caged nut M6 8.3x8.3 (50 pcs.) |
| TSR 976 | Zinc plated caged nut M5 8.3x8.3 (50 pcs.) |



Screws and caged nuts for TSR side walls.

| Code | Description |
|-----------|---|
| 1 TSR 985 | Screws and caged nuts for TSR |
| 2 TSR 986 | Screws and caged nuts for TSR stainless steel |

Zinc plated steel spacers.

| Code | Description |
|-----------|---|
| 1 TSR 979 | Zinc plated steel spacer M6x78 13 (10 pcs.) |
| 2 TSR 980 | Zinc plated steel spacer M8x40 13 (10 pcs.) |
| 3 TSR 981 | Zinc plated steel spacer M6x16 13 (10 pcs.) |
| 4 TSR 982 | Zinc plated steel spacer M6x11 13 (10 pcs.) |



Locking systems for TSR/TFR cabinets.

Various locks for all freestanding enclosures.

| Code | Description |
|-----------|---|
| 1 TSR 905 | Rod contr. St.handle lock with double cam key 3mm for TSR |
| 2 TSR 942 | Rod contr. St.handle lock with triangular key for TSR |
| 3 TSR 943 | Lock with FIAT insert for TSR |
| 4 TSR 941 | Disappearing handle lock, key "D" 133 with covering for TSR-TFR |
| 5 TSR 907 | Disappearing handle lock, key "E" 133 for TSR-TFR |
| 6 TSR 940 | Disappearing handle lock, key "G" 9233 for TSR-TFR |
| 7 TSR 906 | External handle lock with key "E" 333 for TSR-TFR |
| 8 TSR 936 | Disappearing handle lock with FIAT key |
| 9 TSR 937 | Standard handle lock with rod control with key square 6mm |



Locks for boxes and consoles:

Various locks for all wall-mounted enclosures and consoles.

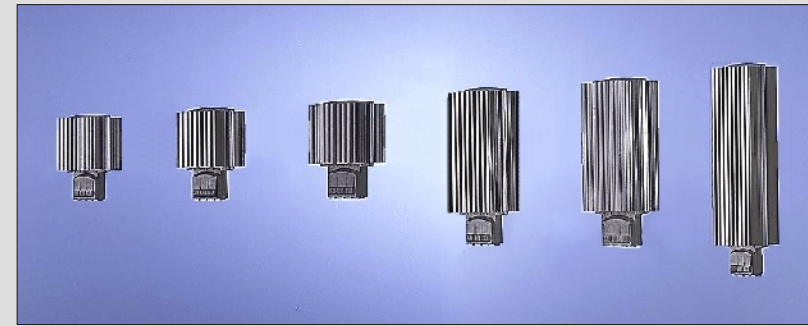
| Code | Description |
|---------|--|
| 1 8000 | Plastic lock with 2 cams 3mm |
| 2 8001 | Triangular plastic lock |
| 3 8002 | Yale plastic lock |
| 4 8003 | Plastic lock with handle |
| 5 8004 | Yale steel lock |
| 6 8005 | Triangular steel lock |
| 7 8006 | Metal lock with handle |
| 8 8007 | FIAT steel lock |
| 9 8008 | DAIMLER steel lock |
| 10 8010 | Stainless-steel AISI 304 lock with 2 cams 3mm for D93 enclosures |

Handles / Keys for locks

| Code | Description |
|---------|----------------------------------|
| TSR 908 | Metallic key with double cam 3mm |
| TSR 944 | Triangular metallic key |
| TSR 945 | FIAT metallic key |
| TSR 946 | DAIMLER metallic key |
| TSR 947 | Plastic key with double cam 3mm |
| TSR 948 | Triangular plastic key |

HEATERS:

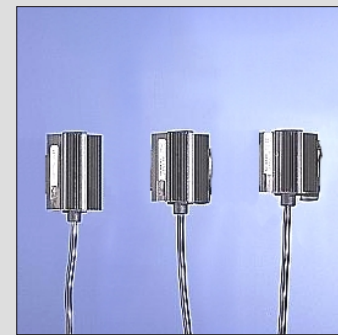
anti-condensation, self regulating. DIN mountable inside cabinet.



Voltage (V): AC/DC 110-250 V max 265 V.
 Heating element: PTC resistor, self regulating.
 Radiator: Anodised extruded aluminium profile.
 Protection class: I, test voltage 1600 V.
 Protection type: IP 20.
 Connection cable: 3 x pressure clamps for stranded and rigid wire 0.5 - 2.5 mmq.
 Mounting: Clip for 35 mm DIN rail, EN50022.

Semiconductor heaters

| Code | VR 1415 | VR 1430 | VR 1445 | VR 1475 | VR 14100 | VR 15150 |
|-------------|--------------------------|--------------------------|--------------------------|--------------------------|---------------------------|---------------------------|
| Description | Semiconductor heater 15W | Semiconductor heater 30W | Semiconductor heater 45W | Semiconductor heater 75W | Semiconductor heater 100W | Semiconductor heater 150W |



Voltage (V): AC/DC 110-250 V max 265 V.
 Heating element: PTC resistor, self regulating.
 Radiator: Anodised extruded aluminium profile.
 Protection class: II, test voltage 4000 V.
 Protection type: IP 54.
 Connection cable: 2 x 0.75 mmq x 300 mm silicone cable.
 Mounting: Clip for 35mm DIN rail, EN50022.
 Approvals: VDE, UL.

Small semiconductor heaters

| Code | VR 4710 | VR 4720 | VR 4730 | | |
|-------------|--------------------------|--------------------------|--------------------------|--|--|
| Description | Semiconductor heater 10W | Semiconductor heater 20W | Semiconductor heater 30W | | |



Voltage (V): AC 220/230 V - 50/60 Hz.
 Axial fan: Ball bearing. Service life 50,000 h at 25° C ambient temperature.
 Surface temperature: Approx. 75° C.
 Heating elements: Resistance heater with integrated temperature safety cut out.
 Radiator: Anodised extruded aluminium profile.
 Dimensions: 250 W : 80 x 80 H = 178 mm, 400 W : 80 x 80 H = 252 mm.
 Connections: 3-pole clamp for 2.5 mmq.
 Mounting: Clip for 35mm DIN rail, EN50022.
 Protection class: I (earthed).
 Protection type: IP 20.
 Approvals: VDE, UL.

Fan heaters

| Code | VR 46250 | VR 46400 | | |
|-------------|-----------------|-----------------|--|--|
| Description | Fan heater 250W | Fan heater 400W | | |

THERMOSTATS:

to control inside temperature of cabinet. DIN mountable.



Setting range: 10-60° C.
 Sensor element: Thermostatic bimetal.
 Switch temperature difference: Approx. 4K (*with thermal feedback approx. 0.5K).
 Contact type: Change-over snap-action contact.
 Breaking/making capacity: Break contact 10 A (4) AC250V DC 30W. Make contact 5A (2) AC 250V DC 30W.
 EMC: EN50082, EN55014, EN60555.
 Connections: 4-pole terminal.
 Mounting: Clip for 35mm DIN rail, (EN 50022).
 Protection: IP 20

* Connecting terminal "N" causes the thermal feedback (RF heating resistor) to work and so reduces the switch temperature difference. (Only fully effective at 230V).

Thermostat

| Code | VR 1060 | | |
|-------------|------------------------------|--|--|
| Description | Thermostat +10/+60° C. NC/NA | | |



VR 0601 normally closed.
 VR 0602 normally open.
 Setting range: 0-60° C.
 Setting range: 0-60° C.
 Switch temperature difference: ca. 7 K.
 Sensor elements: Thermostatic bimetal.
 Contact type: Break or Make, snap-action contact.
 Breaking capacity: 6 A (1) AC 250 V DC 30 W.
 EMC: EN50082, EN55014, EN60555.
 Connections: 2 pole terminal 2.5 mmq.
 Mounting: Integrated clip for 35mm DIN rail (EN 50022).
 Protection: IP 20.
 Approvals: VDE, UL.

Thermostat

| Code | VR 0601 | VR 0602 | |
|-------------|-------------------------------|-------------------------------|--|
| Description | Small thermostat 0/+60° C. NC | Small thermostat 0/+60° C. NA | |

HIGROSTAT:

to control humidity inside cabinet. DIN mountable inside cabinet.



Adjustment range: 35-95% relative humidity.
 Switching accuracy: ± 3% relative humidity.
 Switching difference at 50% relative humidity (microswitch): Approx. 4% relative humidity.
 Peak voltage: AC 250 V.
 Switching capacity, maximum load: 100 mA, DC/AC 20 V.
 Resistive load: 5 A 250 V (service life 50,000 cycles).
 Inductive load cos=0.8: 0.2 A AC 250 V.
 Inductive load L/R=3 ms: 1 A-DC 50 V, 0.5 A-DC 75 V.
 Permissible ambient temperature: 0..60° C.
 Permissible air velocity: 15 m/sec.
 Connection: Terminals in casing, 3 x 2.5 mmq.
 Mounting: Clip for 35mm DIN rail (EN 50022).
 Protection: IP 20 (DIN 40050).

Hygrostat

| Code | VR 3595 | | |
|-------------|------------------|--|--|
| Description | Hygrostat 35/95% | | |