



Heavy Duty Freestanding Enclosures - Wall-mounted Enclosures - Consoles



The modern production context together with a more and more complex and competitive service market require of Tecnomatic corp. a performance level inspired by Quality, Functionality, Safety and Innovation, which can guarantee reliability, service, customer satisfaction. In order to achieve these aims, Tecnomatic corp. takes an integrated approach to Quality, Functionality, Safety and Innovation.



Classification Mark for Canada and United States

FILE N° E 238294

CABINETS FREE-STANDING ENCLOSURES

- 3** "KM" - "KQ":
Monobloc cabinets with solid/PVC door
- 5** "TSR" - "TSR/V":
Modular cabinets with solid/PVC door
- 7** "TFR":
Closed sides cabinets with solid/PVC door
"QO":
Closed sides horizontal cabinets

COMPUTER CABINETS CONSOLES

- 9** "LAN":
Cabinet for computers
- 11** "7000": Cabinets for racks 19"
"LM": New one-piece console
- 13** "LV" - "LVE" - "LVD93":
Modular consoles

WALL MOUNTED ENCLOSURES

- 15** "2800":
Wall mounted boxes
- 17** "2830":
Wall mounted boxes with PVC door
- 19** "ES": Junction boxes
"D01": Boxes 400 mm deep

PENDANT SYSTEM

- 21** "DPH" - "DCF":
Control boxes

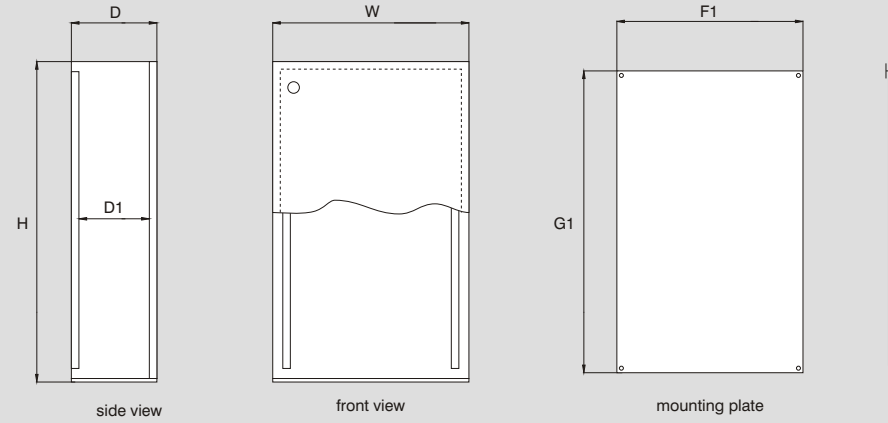
STAINLESS STEEL

- 23** "2800/ss":
Wall mounted boxes
- 25** "TSR" - "TFR" - "LV" - "LVE" - "LVD93" - "LAN":
Modular/closed sides cabinets and consoles

ACCESSORIES

- 27** "ACCESSORIES":
Plinths
Side Walls-Plates
Internal / External Accessories
Locks, Bolts, Nuts
Heating

"2800": Enclosure with polyurethane gasket. Completely welded, solid front door, internal plate. Gland plate models available upon request. Powder coated in RAL 7032.
Sold separately: mounting plates, mounting brackets. Nema 4/12. UL/CUL approved. IP55.

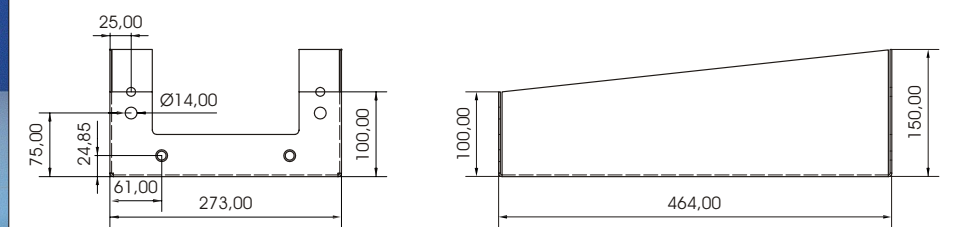
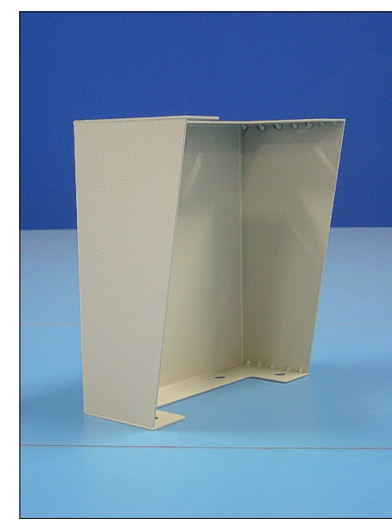
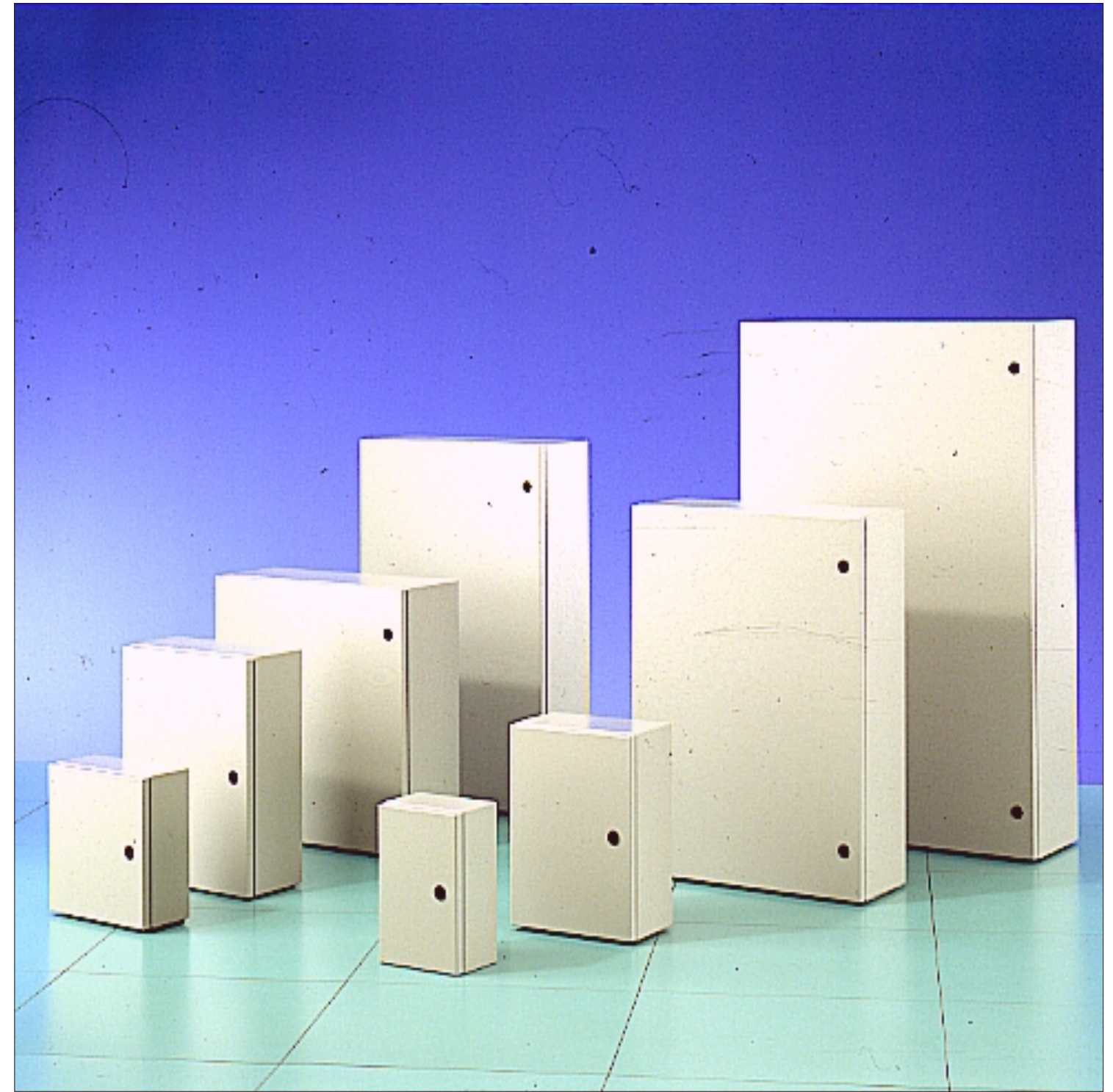


Boxes "2800"

W=in	8.11	8.11	10.00	10.00	12.00	12.00	12.00	12.00	16.00	16.00	16.00	16.00	16.00	16.00	16.00	19.92	19.92	23.85	19.92	19.92	19.92	
H=in	12.00	12.00	12.00	12.00	12.00	12.00	16.00	16.00	16.00	16.00	19.92	19.92	19.92	23.85	23.85	23.85	19.92	19.92	16.00	23.85	23.85	23.85
D=in	5.91	7.87	5.91	7.87	5.91	5.91	7.87	7.87	5.91	7.87	5.91	7.87	9.84	5.91	7.87	9.84	7.87	5.91	7.87	5.91	7.87	9.84
W=mm	206	206	256	256	306	306	306	306	406	406	406	406	406	406	406	506	506	606	506	506	506	506
H=mm	306	306	306	306	306	306	406	406	406	406	506	506	506	506	506	606	606	606	606	606	606	606
D=mm	150	200	150	200	150	200	150	200	150	200	150	200	250	150	200	250	200	250	200	150	200	250
Code	28020	28030	28035	28036	28040	28041	28060	28070	28100	28110	28115	28116	28117	28119	28120	28130	28134	28135	28140	28171	28172	28173
F1=in	6.70	6.70	8.66	8.66	10.63	10.63	10.63	10.63	14.57	14.57	14.57	14.57	14.57	14.57	14.57	18.50	18.50	21.65	17.72	17.72	17.72	17.72
G1=in	9.84	9.84	9.84	9.84	9.84	9.84	13.78	13.78	13.78	13.78	17.72	17.72	17.72	21.65	21.65	21.65	17.72	17.72	14.57	21.65	21.65	21.65
D1=in	5.43	7.20	5.43	7.20	5.43	7.20	5.43	7.20	5.43	7.20	5.43	7.20	9.17	5.43	7.20	9.17	7.20	9.7	7.20	5.43	7.01	9.17
F1=mm	170	170	220	220	270	270	270	370	370	370	370	370	370	370	370	470	470	470	550	470	470	470
G1=mm	250	250	250	250	250	250	350	350	350	350	450	450	450	550	550	550	450	450	370	550	550	550
D1=mm	138	183	138	183	138	183	138	183	138	183	138	183	233	138	183	233	183	233	183	128	178	233
Doors	1	1	1	1	1	1	1	1	1	1	1	1	1	1	1	1	1	1	1	1	1	1
Weight (Kg)	5.2	5.8	6.4	7	7	7.6	9.6	9.9	10	10.5	14.5	15.1	15.9	16.5	17	19.1	16.5	17	17	18.2	19.5	21

Boxes "2800"

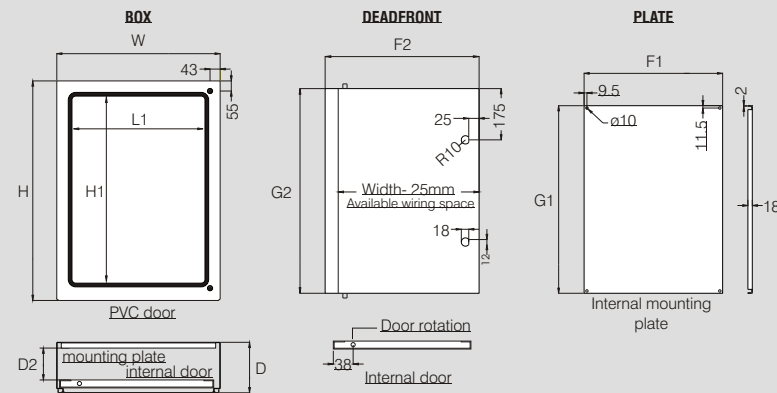
W=in	23.85	19.92	19.92	23.85	23.85	23.85	23.85	23.85	23.85	23.85	23.85	31.73	31.73	31.73	31.73	31.73	23.85	31.73	31.73	31.73	31.73	
H=in	23.85	27.80	27.80	23.85	31.73	31.73	31.73	35.67	35.67	35.67	39.61	39.61	31.73	31.73	39.61	39.61	39.61	47.48	47.48	47.48	47.48	47.48
D=in	7.87	7.87	9.84	9.84	7.87	9.84	11.81	7.87	9.84	11.81	9.84	11.81	11.81	15.75	7.87	9.84	11.81	15.75	11.81	9.84	11.81	15.75
W=mm	606	506	506	606	606	606	606	606	606	606	806	806	806	806	806	806	806	606	806	806	806	806
H=mm	606	706	706	606	806	806	806	906	906	906	1006	1006	806	806	1006	1006	1006	1206	1206	1206	1206	1206
D=mm	200	200	250	250	200	250	300	200	250	300	250	300	300	400	200	250	300	400	300	250	300	400
Code	28174	28175	28176	28177	28179	28180	28190	28192	28193	28194	28195	28196	28200	28210	28218	28219	28220	28230	28240	28250	28260	28270
F1=in	21.65	17.72	17.72	21.65	21.65	21.65	21.65	21.65	21.65	21.65	21.65	21.65	29.53	29.53	29.53	29.53	29.53	29.53	21.65	29.53	29.53	29.53
G1=in	21.65	25.59	25.59	21.65	29.53	29.53	29.53	33.46	33.46	33.46	37.40	37.40	37.40	37.40	37.40	37.40	37.40	45.28	45.28	45.28	45.28	45.28
D1=in	7.01	7.01	8.98	8.98	7.01	8.98	10.94	7.01	8.98	10.94	8.98	10.94	10.94	14.88	7.01	8.98	10.94	14.88	10.94	8.98	10.94	14.88
F1=mm	550	450	450	550	550	550	550	550	550	550	550	550	750	750	750	750	750	750	550	750	750	750
G1=mm	550	650	650	550	750	750	750	850	850	850	950	950	950	750	750	950	950	950	1150	1150	1150	1150
D1=mm	178	178	228	228	178	228	278	178	228	278	228	278	278	378	178	228	278	378	278	228	278	378
Doors	1	1	1	1	1	1	1	1	1	1	1	1	1	1	1	1	1	1	1	1	1	1
Weight (kg)	23.6	23	24.5	25	29.2	30.8	32.5	32.5	34.7	36.7	37.5	39.8	38.5	44.5	45.6	47.5	49.7	52	46	55.4	59	61



Floor stand kit, available in painted or stainless steel. Height: 6", 12", 15" and 18"
Width: same as any of our "2800 series" enclosures. Part #: add "LG" to enclosure number

"2800" Wall Mounted Enclosures

"2830": Enclosure with polyurethane gasket. Completely welded, PVC door, internal plate. Gland plate models available upon request. Powder coated in RAL 7032.
Sold separately: mounting plates, mounting brackets. Nema 12. UL/CUL approved. IP55.



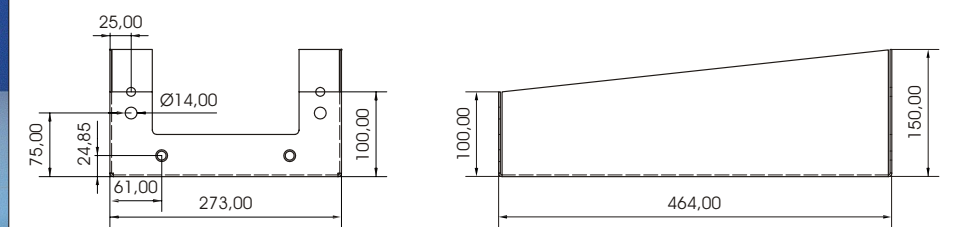
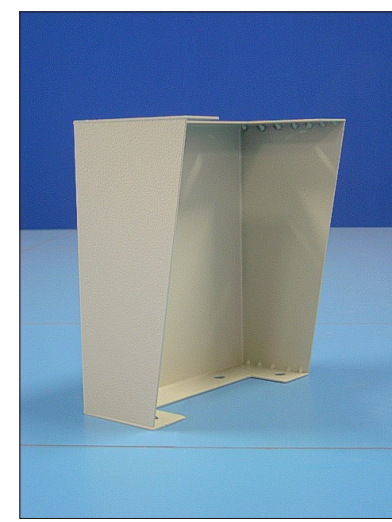
H1 = H - 151mm
L1 = W - 151mm
D2 = D - 70mm for **28370** to **28330**
D2 = D - 75mm for **28375** to **28460**
F2 = W - 31mm
G2 = H - 56mm

Boxes "2830"

W=in	12	16	16	16	19.92	16	16	19.92	19.92	23.85	23.85	23.85	23.85	23.85	23.85	23.85	23.85	23.85	23.85	31.73	31.73
H=in	16	16	19.92	19.92	19.92	23.85	23.85	27.80	27.80	23.85	23.85	31.73	31.73	31.73	35.67	35.67	35.67	39.61	39.61	39.61	39.61
D=in	7.87	7.87	7.87	9.84	7.87	7.87	9.84	7.87	9.84	7.87	9.84	7.87	9.84	11.81	7.87	9.84	11.81	9.84	11.81	7.87	9.84
W=mm	306	406	406	406	506	406	406	506	506	606	606	606	606	606	606	606	606	606	606	806	806
H=mm	406	406	506	506	506	606	606	706	706	606	606	806	806	806	906	906	906	1006	1006	1006	1006
D=mm	200	200	200	250	200	200	250	200	250	200	250	200	250	300	200	250	300	250	300	200	250
Code	28370	28310	28316	28317	28334	28320	28330	28375	28376	28374	28377	28379	28380	28390	28392	28393	28394	28395	28396	28318	28319
F1=in	10.63	14.57	14.57	14.57	18.50	14.57	14.57	17.72	17.72	21.65	21.65	21.65	21.65	21.65	21.65	21.65	21.65	21.65	21.65	29.53	29.53
G1=in	13.78	14.57	17.72	17.72	17.72	21.65	21.65	25.59	25.59	21.65	21.65	29.53	29.53	29.53	33.46	33.46	33.46	37.40	37.40	37.40	37.40
D1=in	7.20	7.20	7.20	9.17	7.20	7.20	9.17	7.01	8.98	7.01	8.98	7.01	8.98	10.94	7.01	8.98	10.94	8.98	10.94	7.01	8.98
F1=mm	270	370	370	370	470	370	370	450	450	550	550	550	550	550	550	550	550	550	550	750	750
G1=mm	350	350	450	450	450	550	550	650	650	550	550	750	750	750	850	850	850	950	950	950	950
D1=mm	183	183	183	233	183	183	233	178	228	178	228	178	228	278	178	228	278	228	278	178	228
Doors	1	1	1	1	1	1	1	1	1	1	1	1	1	1	1	1	1	1	1	1	1
Weight (Kg)	9.9	10.5	15.1	15.9	16.5	17	19.1	23	24.5	23.6	25	29.2	30.8	32.5	32.7	34.7	36.7	37.5	39.8	45.6	46

Boxes "2830"

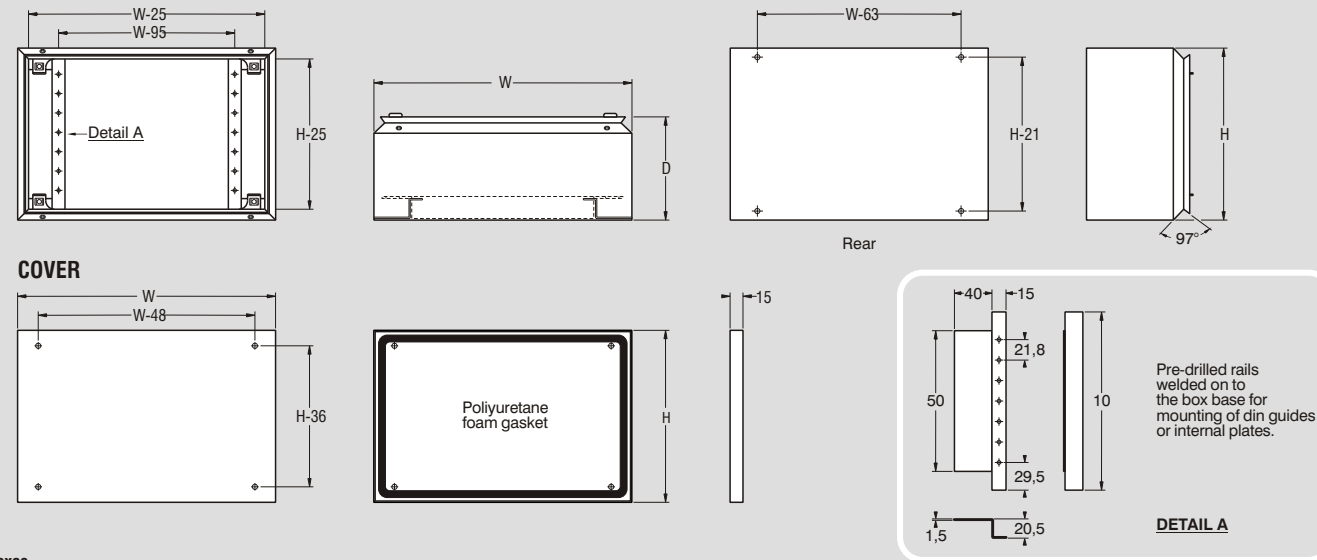
W=in	31.73	23.85	31.73	31.73																	
H=in	39.61	47.48	47.48	47.48																	
D=in	11.81	11.81	9.84	11.81																	
W=mm	806	606	806	806																	
H=mm	1006	1206	1206	1206																	
D=mm	300	300	250	300																	
Code	28420	28440	28450	28460																	
F1=in	29.53	21.65	29.53	29.53																	
G1=in	37.40	45.28	45.28	45.28																	
D1=in	10.94	10.94	8.98	10.94																	
F1=mm	750	550	750	750																	
G1=mm	950	1150	1150	1150																	
D1=mm	278	278	228	278																	
Doors	1	1	1	1																	
Weight (kg)	49.7	46	55.4	59																	



Floor stand kit, available in painted or stainless steel. Height: 6", 12", 15" and 18"
Width: same as any of our "2800 series" enclosures. Part #: add "LG" to enclosure number

"2830" Wall Mounted Enclosures

"ES" JUNCTION BOXES: supplied with screwed-in cover and two internal rail supports, welded to the base. Boxes IP 55 and TÜV certified. Paint: Epoxy Powder Coated Ral 7032



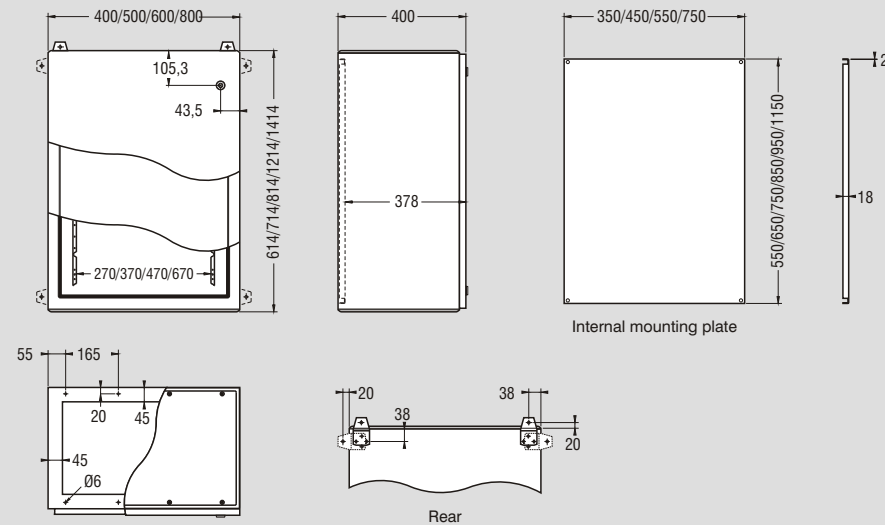
"ES": junction boxes

D=in - mm	3.15-80	4.71-120	-	-	-	-	-	-	-	-	-	-	-	-	-	-	-	-	-
H=in - mm	5.91-150	7.08-180	7.87-200	11.81-300	15.75-400	-	-	-	-	-	-	-	-	-	-	-	-	-	-
W=in - mm	7.08-180	7.87-200	11.81-300	15.75-5400	19.69-500	23.62-600	31.5-800	-	-	-	-	-	-	-	-	-	-	-	-

"ES": junction boxes

W=in - mm	7.08-180	7.87-200	7.87-200	11.81-300	7.87-200	11.81-300	11.81-300	11.81-300	15.75-400	15.75-400	15.75-400	19.69-500	19.69-500	23.62-600	23.62-600	23.62-600	31.5-800	31.5-800
H=in - mm	5.91-150	7.08-180	7.87-200	5.91-150	7.87-200	5.91-150	7.87-200	11.81-300	7.87-200	11.81-300	15.75-400	7.87-200	11.81-300	7.87-200	11.81-300	15.75-400	7.87-200	15.75-400
D=in - mm	3.15-80	3.15-80	3.15-80	3.15-80	4.71-120	4.71-120	4.71-120	4.71-120	4.71-120	4.71-120	4.71-120	4.71-120	4.71-120	4.71-120	4.71-120	4.71-120	4.71-120	4.71-120
ES Code	1	2	21	23	22	24	3	25	4	26	27	5	7	6	28	8	29	9
Doors	1	1	1	1	1	1	1	1	1	1	1	1	1	1	1	1	1	1
Weigh (kg)	1.7	2	2.1	2.4	2.5	2.8	3.2	4.3	4.7	5.2	6.4	5.5	7.1	6.2	7.8	10.4	7.6	12.9

"D01": wall mounted boxes 400 mm deep, complete with internal plate. Double top and bottom flanges. Double cam lock. IP55 protection. Paint: Epoxy Powder Coated Ral 7032



"D01" boxes: nema 4 enclosures, 400 mm (16") deep.

W=in - mm	15.75-400	19.69-500	23.62-600	23.62-600	23.62-600	23.62-600	31.5-800	31.5-800	31.5-800										
H=in - mm	23.62-600	27.56-700	31.5-800	39.37-1000	47.24-1200	55.12-1400	39.37-1000	47.24-1200	55.12-1400										
D=in - mm	15.75-400	15.75-400	15.75-400	15.75-400	15.75-400	15.75-400	15.75-400	15.75-400	15.75-400										
D01 Code	4604	5704	6804	6104	6124	6144	8104	8124	8144										
Doors	1	1	1	1	1	1	1	1	1										
Weigh (kg)	22	28.5	36	43	50	57	52	61	70										

