



Heavy Duty Freestanding Enclosures - Wall-mounted Enclosures - Consoles



The modern production context together with a more and more complex and competitive service market require of Tecnomatic corp. a performance level inspired by Quality, Functionality, Safety and Innovation, which can guarantee reliability, service, customer satisfaction. In order to achieve these aims, Tecnomatic corp. takes an integrated approach to Quality, Functionality, Safety and Innovation.



Classification Mark for Canada and United States

FILE N° E 238294

CABINETS FREE-STANDING ENCLOSURES

- 3** "KM" - "KQ":
Monobloc cabinets with solid/PVC door
- 5** "TSR" - "TSR/V":
Modular cabinets with solid/PVC door
- 7** "TFR":
Closed sides cabinets with solid/PVC door
"QO":
Closed sides horizontal cabinets

COMPUTER CABINETS CONSOLES

- 9** "LAN":
Cabinet for computers
- 11** "7000": Cabinets for racks 19"
"LM": New one-piece console
- 13** "LV" - "LVE" - "LVD93":
Modular consoles

WALL MOUNTED ENCLOSURES

- 15** "2800":
Wall mounted boxes
- 17** "2830":
Wall mounted boxes with PVC door
- 19** "ES": Junction boxes
"D01": Boxes 400 mm deep

PENDANT SYSTEM

- 21** "DPH" - "DCF":
Control boxes

STAINLESS STEEL

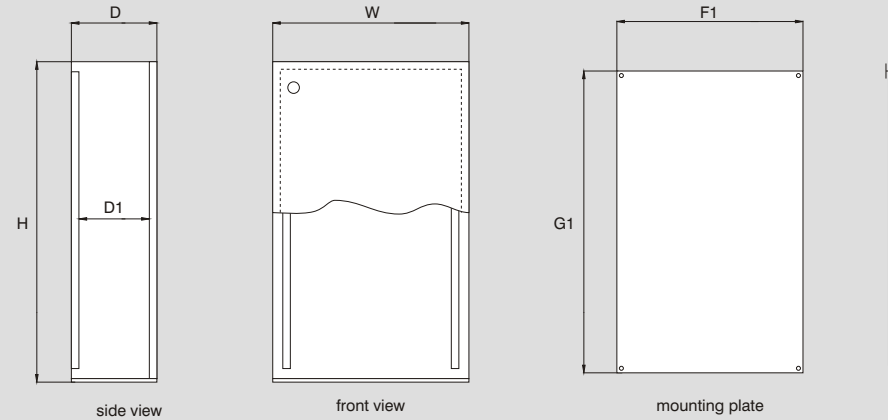
- 23** "2800/ss":
Wall mounted boxes
- 25** "TSR" - "TFR" - "LV" - "LVE" - "LVD93" - "LAN":
Modular/closed sides cabinets and consoles

ACCESSORIES

- 27** "ACCESSORIES":
Plinths
Side Walls-Plates
Internal / External Accessories
Locks, Bolts, Nuts
Heating

STAINLESS STEEL WALL MOUNTED BOXES: completely welded, with solid or PVC door and internal mounting plate. IP55 protection and TÜV certified. Stainless steel AISI 304. Nema 4x. Mounting plate always included. Sold separately: mounting brackets.

For Boxes with PVC door add "-SS" to "2830" codes of page 16.

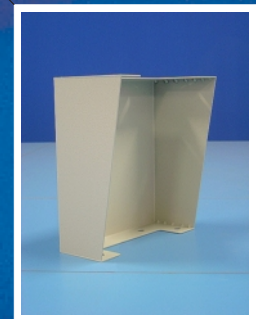


Boxes "2800-ss"

W=in	8.11	8.11	10.00	10.00	12.00	12.00	12.00	12.00	16.00	16.00	16.00	16.00	16.00	16.00	16.00	16.00	19.92	19.92	23.85	19.92	19.92	19.92
H=in	12.00	12.00	12.00	12.00	12.00	12.00	16.00	16.00	16.00	16.00	19.92	19.92	19.92	23.85	23.85	23.85	19.92	19.92	16.00	23.85	23.85	23.85
D=in	5.91	7.87	5.91	7.87	5.91	5.91	5.91	7.87	5.91	7.87	5.91	7.87	9.84	5.91	7.87	9.84	7.87	9.84	7.87	5.91	7.87	9.84
W=mm	206	206	256	256	306	306	306	306	406	406	406	406	406	406	406	406	506	506	606	606	506	506
H=mm	306	306	306	306	306	306	406	406	406	406	506	506	506	506	606	606	606	506	506	406	606	606
D=mm	150	200	150	200	150	200	150	200	150	200	150	200	250	150	200	250	200	250	200	150	200	250
Code	28020/SS	28030/SS	28035/SS	28036/SS	28040/SS	28041/SS	28060/SS	28070/SS	28100/SS	28110/SS	28115/SS	28116/SS	28117/SS	28119/SS	28120/SS	28130/SS	28134/SS	28135/SS	28140/SS	28171/SS	28172/SS	28173/SS
F1=in	6.70	6.70	8.66	8.66	10.63	10.63	10.63	10.63	14.57	14.57	14.57	14.57	14.57	14.57	14.57	14.57	18.50	18.50	21.65	17.72	17.72	17.72
G1=in	9.84	9.84	9.84	9.84	9.84	9.84	13.78	13.78	13.78	13.78	17.72	17.72	17.72	21.65	21.65	21.65	17.72	17.72	14.57	21.65	21.65	21.65
D1=in	5.43	7.20	5.43	7.20	5.43	7.20	5.43	7.20	5.43	7.20	5.43	7.20	9.17	5.43	7.20	9.17	7.20	9.17	7.20	5.43	7.01	9.17
F1=mm	170	170	220	220	270	270	270	370	370	370	370	370	370	370	370	370	470	470	550	470	470	470
G1=mm	250	250	250	250	250	250	350	350	350	350	450	450	450	550	550	550	450	450	370	550	550	550
D1=mm	138	183	138	183	138	183	138	183	138	183	138	183	233	138	183	233	183	233	183	128	178	233
Doors	1	1	1	1	1	1	1	1	1	1	1	1	1	1	1	1	1	1	1	1	1	1
Weight (Kg)	5.2	5.8	6.4	7	7	7.6	9.6	9.9	10	10.5	14.5	15.1	15.9	16.5	17	19.1	16.5	17	17	18.2	19.5	21

Boxes "2800-ss"

W=in	23.85	19.92	19.92	23.85	23.85	23.85	23.85	23.85	23.85	23.85	23.85	31.73	31.73	31.73	31.73	31.73	31.73	23.85	31.73	31.73	31.73	31.73
H=in	23.85	27.80	27.80	23.85	31.73	31.73	31.73	35.67	35.67	35.67	39.61	39.61	31.73	31.73	39.61	39.61	39.61	39.61	47.48	47.48	47.48	47.48
D=in	7.87	7.87	9.84	9.84	7.87	9.84	11.81	7.87	9.84	11.81	9.84	11.81	11.81	15.75	7.87	9.84	11.81	15.75	11.81	9.84	11.81	15.75
W=mm	606	506	506	606	606	606	606	606	606	606	606	806	806	806	806	806	806	806	606	806	806	806
H=mm	606	706	706	606	806	806	806	906	906	1006	1006	1006	1006	1006	1006	1006	1006	1006	1206	1206	1206	1206
D=mm	200	200	250	250	200	250	300	200	250	300	250	300	300	400	200	250	300	400	300	250	300	400
Code	28174/SS	28175/SS	28176/SS	28177/SS	28179/SS	28180/SS	28190/SS	28192/SS	28193/SS	28194/SS	28195/SS	28196/SS	28200/SS	28210/SS	28218/SS	28219/SS	28220/SS	28230/SS	28240/SS	28250/SS	28260/SS	28270/SS
F1=in	21.65	17.72	17.72	21.65	21.65	21.65	21.65	21.65	21.65	21.65	21.65	21.65	29.53	29.53	29.53	29.53	29.53	29.53	21.65	29.53	29.53	29.53
G1=in	21.65	25.59	25.59	21.65	29.53	29.53	33.46	33.46	33.46	33.46	37.40	37.40	37.40	37.40	37.40	37.40	37.40	37.40	45.28	45.28	45.28	45.28
D1=in	7.01	7.01	8.98	8.98	7.01	8.98	10.94	7.01	8.98	10.94	8.98	10.94	10.94	14.88	7.01	8.98	10.94	14.88	10.94	8.98	10.94	14.88
F1=mm	550	450	450	550	550	550	550	550	550	550	550	550	750	750	750	750	750	750	550	750	750	750
G1=mm	550	650	650	550	750	750	750	850	850	850	950	950	950	950	950	950	950	950	1150	1150	1150	1150
D1=mm	178	178	228	228	178	228	278	178	228	278	228	278	278	378	178	228	278	378	278	228	278	378
Doors	1	1	1	1	1	1	1	1	1	1	1	1	1	1	1	1	1	1	1	1	1	1
Weight (kg)	23.6	23	24.5	25	29.2	30.8	32.5	32.5	34.7	36.7	37.5	39.8	38.5	44.5	45.6	47.5	49.7	52	46	55.4	59	61



Floor stand kit, available in painted or stainless steel
Height: 6", 12", 15" and 18"
Width: same as any of our "2800 series" enclosures
part #: add "LG" to enclosure number



"2800/SS" Wall Mounted Enclosures

FOR STAINLESS STEEL
PART NUMBER SIMPLY
ADD "/A" TO PAINTED
STEEL PART NUMBER



"TSR" - "TSR/V"
Modular stainless steel
Aisi 304, cabinets
complete with reversible
solid or transparent
door/s, removable rear
panel, removable top,
removable bottom plates
with flanges for cable
entry. IP55 protection.



"TFR" - "TFR/V"
Modular stainless steel
Aisi 304, cabinets with
closed sides, complete
with reversible solid or
transparent door/s,
removable rear panel,
removable bottom plates
with flanges for cable
entry. IP55 protection.



"LV" - "LVE" - "LVD93"
Modular stainless steel
Aisi 304 desks, composed
by plinths with various
depths, intermediate shelves
and upper elements.
IP55 protection.

"LAN"
Stainless steel Aisi 304
cabinets for computers
one-piece or modular
structure, complete with
monitor, keyboard and central
unit supports. IP55 protection.

