



Heavy Duty Freestanding Enclosures - Wall-mounted Enclosures - Consoles



The modern production context together with a more and more complex and competitive service market require of Tecnomatic corp. a performance level inspired by Quality, Functionality, Safety and Innovation, which can guarantee reliability, service, customer satisfaction. In order to achieve these aims, Tecnomatic corp. takes an integrated approach to Quality, Functionality, Safety and Innovation.



Classification Mark for Canada and United States

FILE N° E 238294

CABINETS FREE-STANDING ENCLOSURES

- 3** "KM" - "KQ":
Monobloc cabinets with solid/PVC door
- 5** "TSR" - "TSR/V":
Modular cabinets with solid/PVC door
- 7** "TFR":
Closed sides cabinets with solid/PVC door
"QO":
Closed sides horizontal cabinets

COMPUTER CABINETS CONSOLES

- 9** "LAN":
Cabinet for computers
- 11** "7000": Cabinets for racks 19"
"LM": New one-piece console
- 13** "LV" - "LVE" - "LVD93":
Modular consoles

WALL MOUNTED ENCLOSURES

- 15** "2800":
Wall mounted boxes
- 17** "2830":
Wall mounted boxes with PVC door
- 19** "ES": Junction boxes
"D01": Boxes 400 mm deep

PENDANT SYSTEM

- 21** "DPH" - "DCF":
Control boxes

STAINLESS STEEL

- 23** "2800/ss":
Wall mounted boxes
- 25** "TSR" - "TFR" - "LV" - "LVE" - "LVD93" - "LAN":
Modular/closed sides cabinets and consoles

ACCESSORIES

- 27** "ACCESSORIES":
Plinths
Side Walls-Plates
Internal / External Accessories
Locks, Bolts, Nuts
Heating

"KM": monobloc cabinet, completely welded, no removable top/bottom or sides. Removable mounting plate. Nema 12/IP55. Sold separately: plinth.
Epoxy powder coated in RAL 7032.



KQ monobloc cabinets

W=in	23.62	31.50	23.62	31.50	39.37	23.62	31.50	39.37	23.62	31.50	39.37						
H=in	55.12	55.12	63.00	63.00	63.00	70.87	70.87	70.87	78.74	78.74	78.74						
D=in	15.75	15.75	15.75	15.75	15.75	15.75	15.75	15.75	15.75	15.75	15.75						
W=mm	600	800	600	800	1000	600	800	1000	600	800	1000						
H=mm	1400	1400	1600	1600	1600	1800	1800	1800	2000	2000	2000						
D=mm	400	400	400	400	400	400	400	400	400	400	400						
KM code	6144	8144	6164	8164	10164	6184	8184	10184	6204	8204	10204						
Doors	1	1	1	1	1	1	1	1	1	1	1						
Weight (kg)																	

"KQ": horizontal monobloc cabinet, completely welded, no removable top/bottom or sides. Removable mounting plate. Nema 12/IP55. Sold separately: plinth.
Epoxy powder coated in RAL 7032.

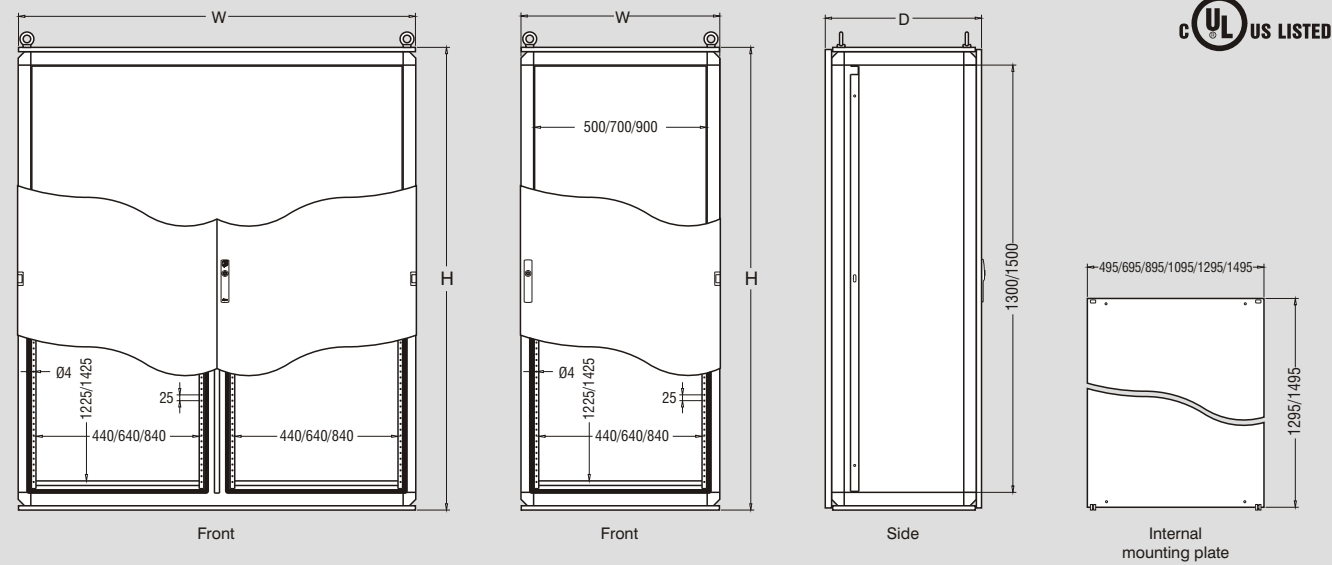


KQ horizontal cabinets

W=in	47.24	55.12	63.00	47.24	55.12	63.00	70.87	78.74	55.12	63.00	70.87	78.74					
H=in	23.62	23.62	23.62	31.50	31.50	31.50	31.50	31.50	39.37	39.37	39.37	39.37					
D=in	15.75	15.75	15.75	15.75	15.75	15.75	15.75	15.75	15.75	15.75	15.75	15.75					
W=mm	1200	1400	1600	1200	1400	1600	1800	2000	1400	1600	1800	2000					
H=mm	600	600	600	800	800	800	800	800	1000	1000	1000	1000					
D=mm	400	400	400	400	400	400	400	400	400	400	400	400					
KQ code	1264	1464	1664	1284	1484	1684	1884	2084	14104	16104	18104	20104					
Doors	2	2	2	2	2	2	2	2	2	2	2	2					
Weight (kg)																	



“TSR”: floor standing modular cabinets, assembled with 3-way angle bars and tubular sections, our patent No. TU96 U00073. “Cabinet IP55”, TÜV certified. Nema 12.



The supply includes: - Cabinet with reversible door/s and mounting plate - removable rear panel and top - bottom with removable flanges for cable entry.

Paint: Epoxy Powder Coated Ral 7032

Plinth and pair of sides supplied only on request.

To order cabinets with transparent doors, add the letter “V” to the code: for example the TSR1 has a solid door, the code TSR1V has a transparent door.

“TSR” Cabinets Height 1400 mm = 55”

W=in - mm	23.62 - 600	31.50 - 800	47.24 - 1200	23.62 - 600	31.50 - 800	47.24 - 1200	23.62 - 600	31.50 - 800	47.24 - 1200									
H=in - mm	55.51 - 1410	55.51 - 1410	55.51 - 1410	55.51 - 1410	55.51 - 1410	55.51 - 1410	55.51 - 1410	55.51 - 1410	55.51 - 1410									
D=in - mm	15.75 - 400	15.75 - 400	15.75 - 400	19.69 - 500	19.69 - 500	19.69 - 500	23.62 - 600	23.62 - 600	23.62 - 600									
TSR Code	165	166	167	168	169	170	171	172	173									
Doors	1	1	2	1	1	2	1	1	1									
Weight (kg)	70	94	127	73	97	133	76	101	140									

“TSR” Cabinets Height 1600 mm = 63”

W=in - mm	15.75 - 400	23.62 - 600	31.50 - 800	39.37 - 1000	47.24 - 1200	15.75 - 400	23.62 - 600	31.50 - 800	39.37 - 1000	47.24 - 1200	15.75 - 400	23.62 - 600	31.50 - 800	39.37 - 1000	47.24 - 1200
H=in - mm	63.38 - 1610	63.38 - 1610	63.38 - 1610	63.38 - 1610	63.38 - 1610	63.38 - 1610	63.38 - 1610	63.38 - 1610	63.38 - 1610	63.38 - 1610	63.38 - 1610	63.38 - 1610	63.38 - 1610	63.38 - 1610	63.38 - 1610
D=in - mm	15.75 - 400	15.75 - 400	15.75 - 400	15.75 - 400	15.75 - 400	19.69 - 500	19.69 - 500	19.69 - 500	19.69 - 500	19.69 - 500	23.62 - 600	23.62 - 600	23.62 - 600	23.62 - 600	23.62 - 600
TSR Code	174	175	176	177	178	179	180	181	182	183	184	185	186	187	188
Doors	1	1	1	1	2	1	1	1	1	2	1	1	1	1	2
Weight (kg)	53	78	103	119	140	56	81	106	125	146	59	84	109	131	152

“TSR” Cabinets Height 1800 mm = 71”

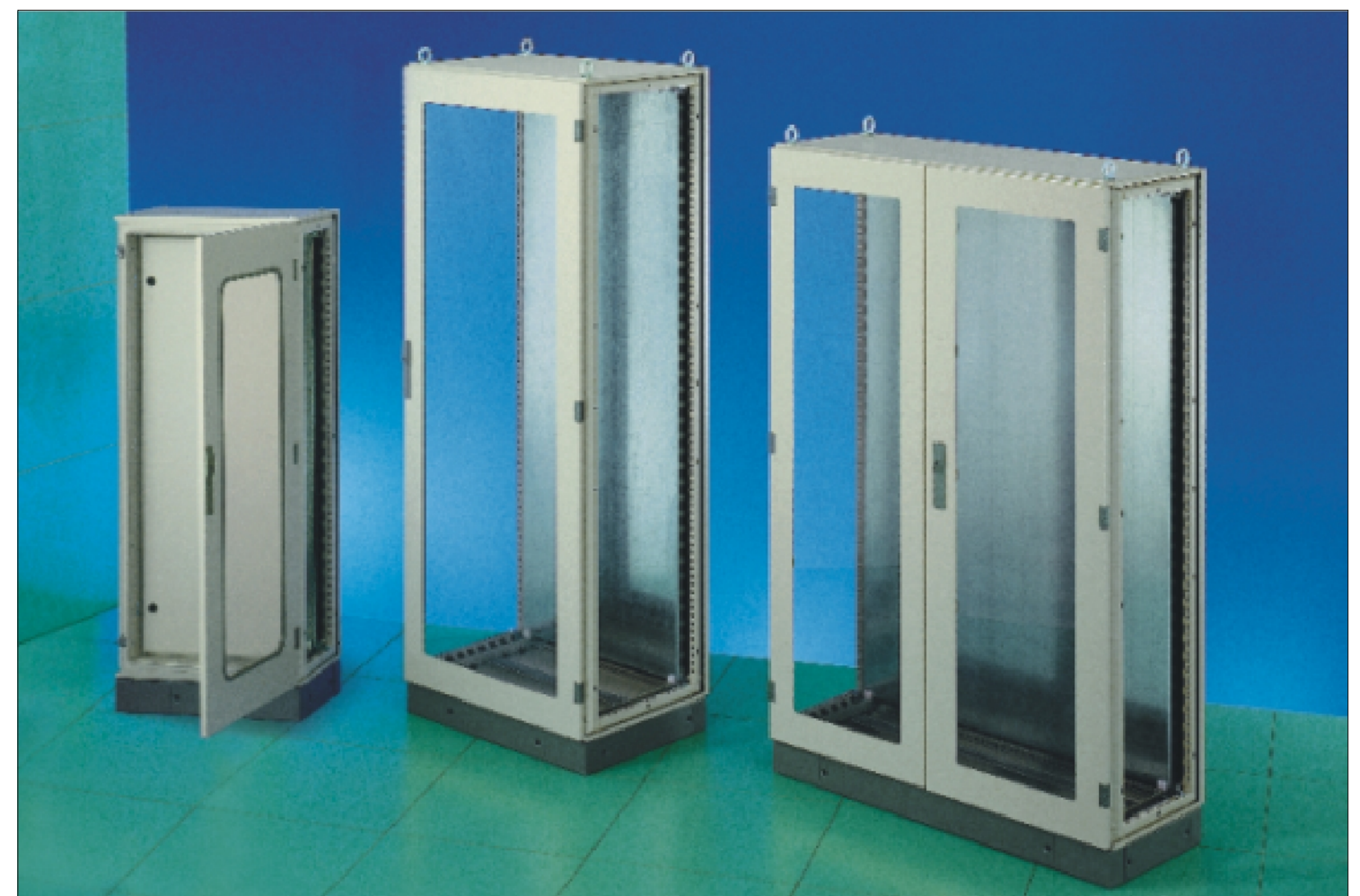
W=in	23.62	23.62	23.62	23.62	23.62	31.50	31.50	31.50	31.50	31.50	39.37	39.37	39.37	39.37	39.37	47.24	47.24	47.24	47.24	47.24	55.12	55.12	55.12	55.12	63.00	63.00	63.00	63.00	
H=in	71.25	71.25	71.25	71.25	71.25	71.25	71.25	71.25	71.25	71.25	71.25	71.25	71.25	71.25	71.25	71.25	71.25	71.25	71.25	71.25	71.25	71.25	71.25	71.25	71.25	71.25	71.25	71.25	
D=in	15.75	19.69	23.62	31.50	39.37	15.75	19.69	23.62	31.50	39.37	15.75	19.69	23.62	31.50	39.37	15.75	19.69	23.62	31.50	39.37	15.75	19.69	23.62	31.50	15.75	19.69	23.62	31.50	
W=mm	600	600	600	600	600	800	800	800	800	800	1000	1000	1000	1000	1000	1200	1200	1200	1200	1200	1400	1400	1400	1400	1600	1600	1600	1600	
H=mm	1810	1810	1810	1810	1810	1810	1810	1810	1810	1810	1810	1810	1810	1810	1810	1810	1810	1810	1810	1810	1810	1810	1810	1810	1810	1810	1810	1810	
D=mm	400	500	600	800	1000	400	500	600	800	1000	400	500	600	800	1000	400	500	600	800	1000	400	500	600	800	400	500	600	800	
TSR Code	1	2	3	4	5	6	7	8	9	10	11	12	13	14	15	16	17	18	19	20	41	42	43	44	46	47	48	49	
Doors	1	1	1	1	1	1	1	1	1	1	1	1	1	1	1	2	2	2	2	2	2	2	2	2	2	2	2	2	2
Weight (kg)	86	89	92	98	104	112	115	118	124	130	130	136	142	148	154	153	159	165	171	177	176	182	188	194	199	205	211	217	

“TSR” Cabinets Height 2000 mm = 79”

W=in	23.62	23.62	23.62	23.62	23.62	31.50	31.50	31.50	31.50	31.50	39.37	39.37	39.37	39.37	39.37	47.24	47.24	47.24	47.24	47.24	55.12	55.12	55.12	55.12	63.00	63.00	63.00	63.00	
H=in	79.13	79.13	79.13	79.13	79.13	79.13	79.13	79.13	79.13	79.13	79.13	79.13	79.13	79.13	79.13	79.13	79.13	79.13	79.13	79.13	79.13	79.13	79.13	79.13	79.13	79.13	79.13	79.13	
D=in	15.75	19.69	23.62	31.50	39.37	15.75	19.69	23.62	31.50	39.37	15.75	19.69	23.62	31.50	39.37	15.75	19.69	23.62	31.50	39.37	15.75	19.69	23.62	31.50	15.75	19.69	23.62	31.50	
W=mm	600	600	600	600	600	800	800	800	800	800	1000	1000	1000	1000	1000	1200	1200	1200	1200	1200	1400	1400	1400	1400	1600	1600	1600	1600	
H=mm	2010	2010	2010	2010	2010	2010	2010	2010	2010	2010	2010	2010	2010	2010	2010	2010	2010	2010	2010	2010	2010	2010	2010	2010	2010	2010	2010	2010	
D=mm	400	500	600	800	1000	400	500	600	800	1000	400	500	600	800	1000	400	500	600	800	1000	400	500	600	800	400	500	600	800	
TSR Code	21	22	23	24	25	26	27	28	29	30	31	32	33	34	35	36	37	38	39	40	51	52	53	54	56	57	58	59	
Doors	1	1	1	1	1	1	1	1	1	1	2	2	2	2	2	2	2	2	2	2	2	2	2	2	2	2	2	2	2
Weight (kg)	94	97	100	106	112	121	124	127	133	139	141	147	153	159	165	166	172	178	184	190	191	197	203	209	216	222	228	234	

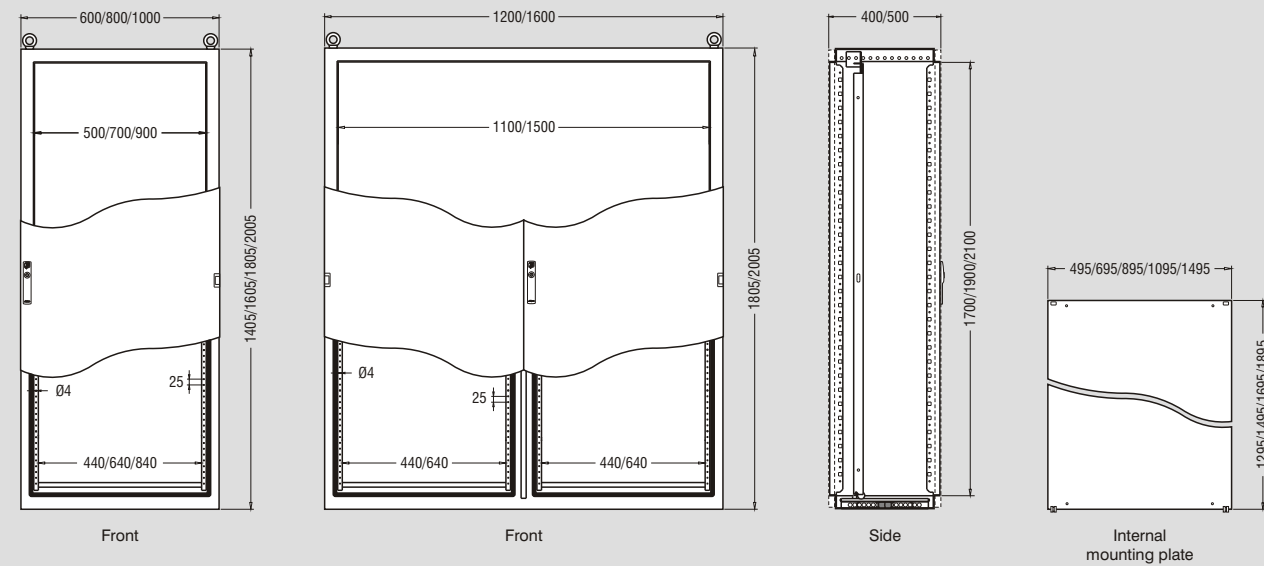
“TSR” Cabinets Height 2200 mm = 87”

W=in	23.62	23.62	23.62	23.62	23.62	31.50	31.50	31.50	31.50	31.50	39.37	39.37	39.37	39.37	39.37	47.24	47.24	47.24	47.24	47.24	55.12	55.12	55.12	63.00	63.00	63.00		
H=in	87.00	87.00	87.00	87.00	87.00	87.00	87.00	87.00	87.00	87.00	87.00	87.00	87.00	87.00	87.00	87.00	87.00	87.00	87.00	87.00	87.00	87.00	87.00	87.00	87.00	87.00		
D=in	15.75	19.69	23.62	31.50	39.37	15.75	19.69	23.62	31.50	39.37	15.75	19.69	23.62	31.50	39.37	15.75	19.69	23.62	31.50	39.37	15.75	19.69	23.62	31.50	15.75	19.69	23.62	31.50
W=mm	600	600	600	600	600	800	800	800	800	800	1000	1000	1000	1000	1000	1200	1200	1200	1200	1200	1400	1400	1400	1600	1600	1600		
H=mm	2210	2210	2210	2210	2210	2210	2210	2210	2210	2210	2210	2210	2210	2210	2210	2210	2210	2210	2210	2210	2210	2210	2210	2210	2210	2210		
D=mm	400	500	600	800	1000	400	500	600	800	1000	400	500	600	800	1000	400	500	600	800	1000	400	500	600	800	400	500	600	800
TSR Code	61	62	63	64	65	66	67	68	69	70	71	72	73	74	75	76	77	78	79	80	82	83	84	87	88	89		
Doors	1	1	1	1	1	1	1	1	1	1	2	2	2	2	2	2	2	2	2	2	2	2	2	2	2	2	2	2
Weight (kg)	102	105	108	114	120	131	134	137	143	149	153	160	166	172	178	179	185	191	197	203	206	212	218	239	245	251		



“TSR” - “TSRV” Modular Cabinets

"TFR": Cabinets with closed sides IP55 TÜV certified. Nema 12



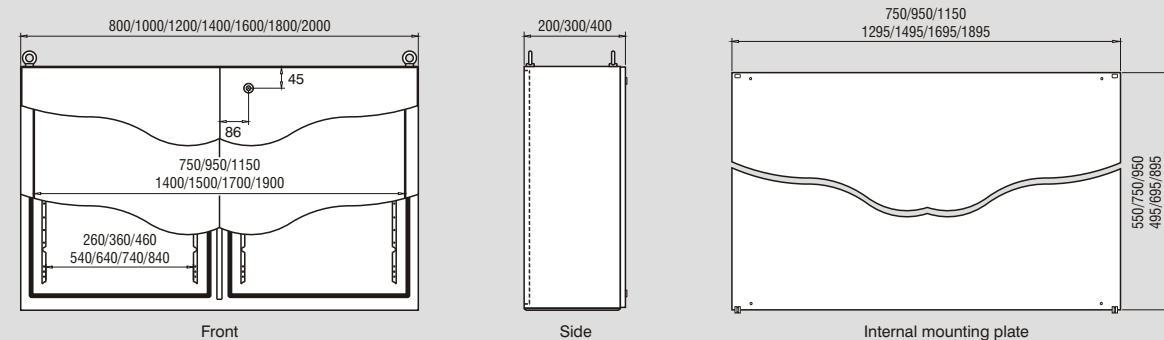
The supply includes: Cabinet with reversible door/s - mounting plate - bottom with two removable flanges and removable rear panel. Paint: Epoxy Powder Coated Ral 7032
Plinth supplied only on request.

To order boxes with transparent doors, add the letter "V": for example the TFR21 cabinet has a solid door, the code TFR21V has a transparent door.

"TFR" cabinet Height 1400/1600/1800/2000 mm

W=in	23.62	31.50	23.62	31.50	39.37	23.62	23.62	31.50	31.50	39.37	39.37	47.24	63.00	23.62	23.62	31.50	31.50	39.37	39.37	47.24	63.00	
H=in	55.12	55.12	63.00	63.00	63.00	70.87	70.87	70.87	70.87	70.87	70.87	70.87	78.74	78.74	78.74	78.74	78.74	78.74	78.74	78.74	78.74	78.74
D=in	15.75	15.75	15.75	15.75	15.75	15.75	19.69	15.75	19.69	15.75	19.69	19.69	19.69	15.75	19.69	15.75	19.69	15.75	19.69	15.75	19.69	
W=mm	600	800	600	800	1000	600	600	800	800	1000	1000	1200	1600	600	600	800	800	1000	1000	1200	1600	
H=mm	1400	1400	1600	1600	1600	1800	1800	1800	1800	1800	1800	1800	2000	2000	2000	2000	2000	2000	2000	2000	2000	
D=mm	400	400	400	400	400	400	500	400	500	400	500	500	500	400	500	400	500	400	500	400	500	
TFR code	21	22	23	24	25	26	27	28	29	30	31	32	33	34	35	36	37	38	39	40	41	
Doors	1	1	1	1	1	1	1	1	1	1	1	2	2	1	1	1	1	1	1	1	2	2
Weight (kg)	68	87	75	95	113	90	96	113	119	134	140	161	205	100	107	123	130	146	151	172	215	

"QO": Horizontal cabinet with closed sides IP55 TÜV certified.



The supply includes: Enclosure with reversible door/s - mounting plate - bottom with removable flanges. Paint: Epoxy Powder Coated Ral 7032
Plinth supplied only on request.

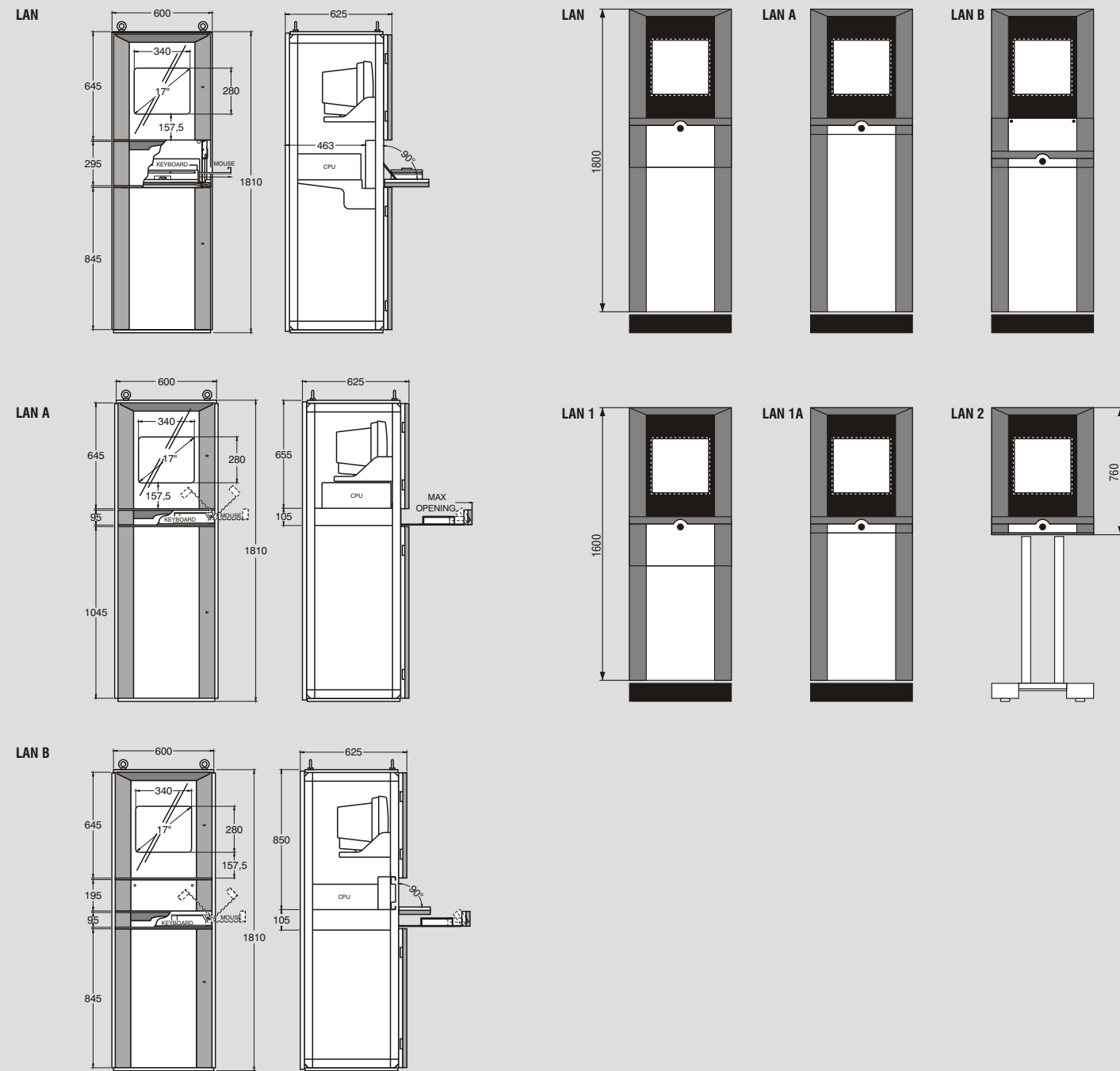
"QO": horizontal cabinets

W=in - mm	31.5-800	31.5-800	39.37-1000	39.37-1000	39.37-1000	47.24-1200	55.12-1400	55.12-1400	55.12-1400	63-1600	63-1600	63-1600	70.87-1800	70.87-1800	78.74-2000	78.74-2000
H=in - mm	23.62-600	23.62-600	31.5-800	31.5-800	39.37-1000	39.37-1000	23.62-600	23.62-600	31.5-800	23.62-600	31.5-800	39.37-1000	31.5-800	39.37-1000	31.5-800	39.37-1000
D=in - mm	7.87-200	11.81-300	7.87-200	11.81-300	11.81-300	11.81-300	11.81-300	15.75-400	15.75-400	15.75-400	15.75-400	15.75-400	15.75-400	15.75-400	15.75-400	15.75-400
QO Code	862	863	1082	1083	10103	12103	1463	1464	1484	1664	1684	16104	1884	18104	2084	20104
Doors	2	2	2	2	2	2	2	2	2	2	2	2	2	2	2	2
Weight (kg)	31	34	47	54	63	72	69	74	93	81	101	119	120	140	126	152

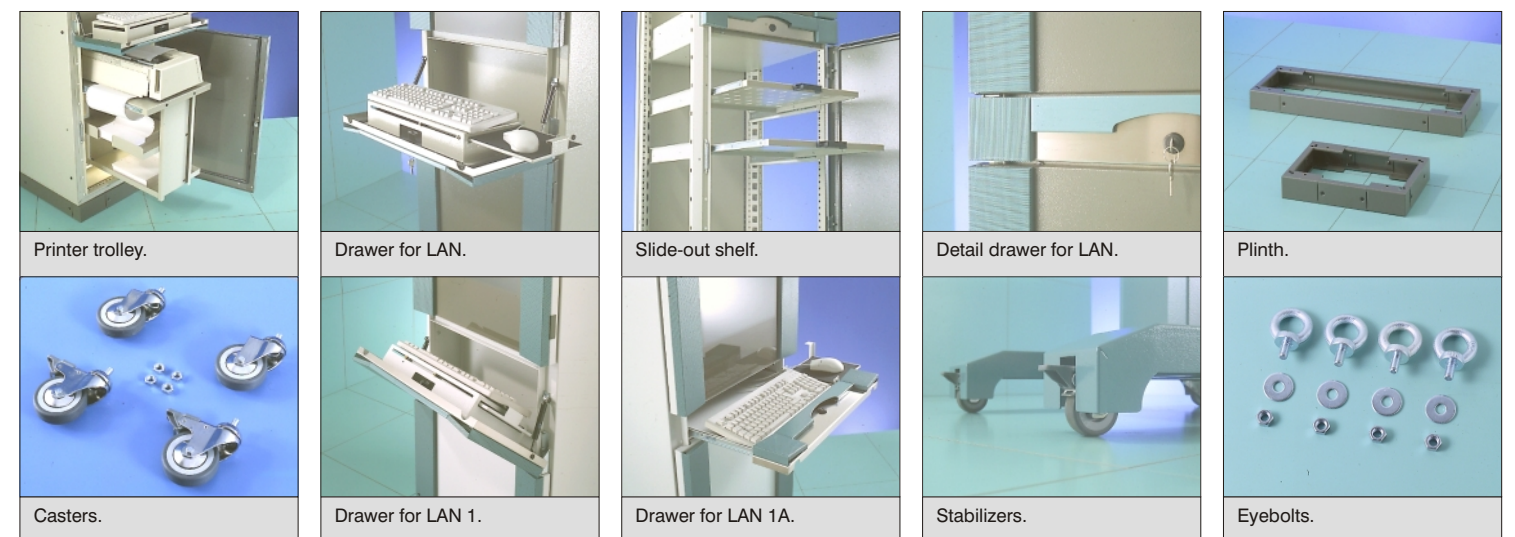


"TFR" Cabinets - "QO" Horizontal Cabinets

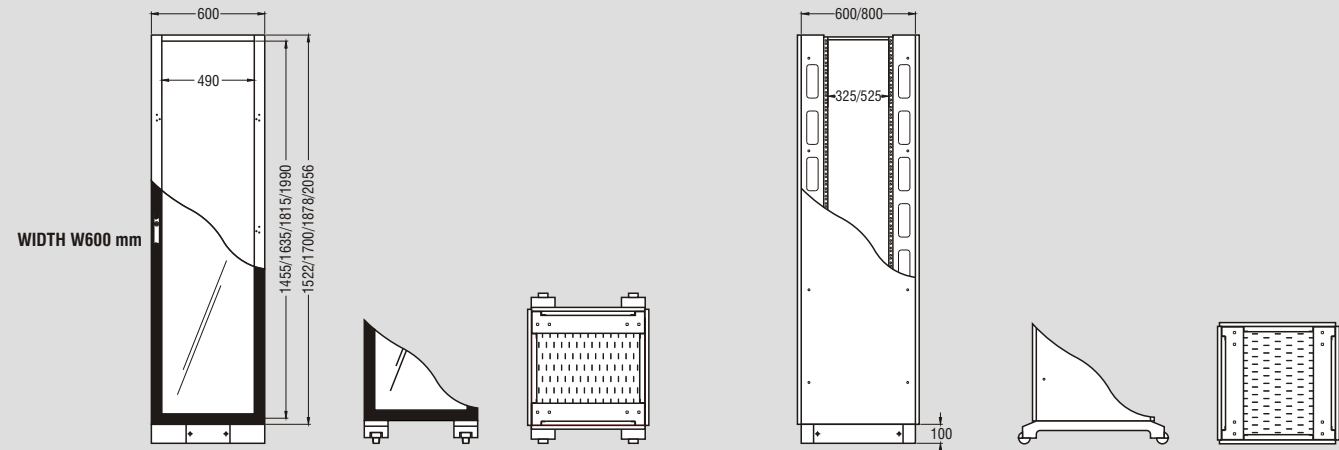
"TSR"-LAN CABINETS: for computer applications. IP 55. Nema 12



Code	Description	RAL-COLOUR	Height	Width	Depth
TSR-LAN	One door cabinet with drawer	7032/6033	1800	600	625
TSR-LAN A	One door cabinet with slide-out drawer	7032/6033	1800	600	625
TSR-LAN B	Two door cabinet - Central door 300+100	7032/6033	1800	600	625
TSR-603	Plinth	7009	100	600	600
TSR-LAN 1	One door cabinet with drawer	7035/6033	1600	600	625
TSR-LAN 1A	One door cabinet with slide-out drawer	7035/6033	1600	600	625
7007	Plinth	6033	100	600	600
7005	Stabilizer supports - Depth mm 600 (pair)	6033			
7009	Set 4 height-adjustable feet M10				
7010	Set 4 casters for stabilizer supports				
TSR-LAN 2	Top cabinet only	7035/6033	750	600	625
7080	Mounting foot H.900 with casters	6033			
ST 1	Extractable printer trolley	7032			
TSR 287	Extractable shelf	7032			

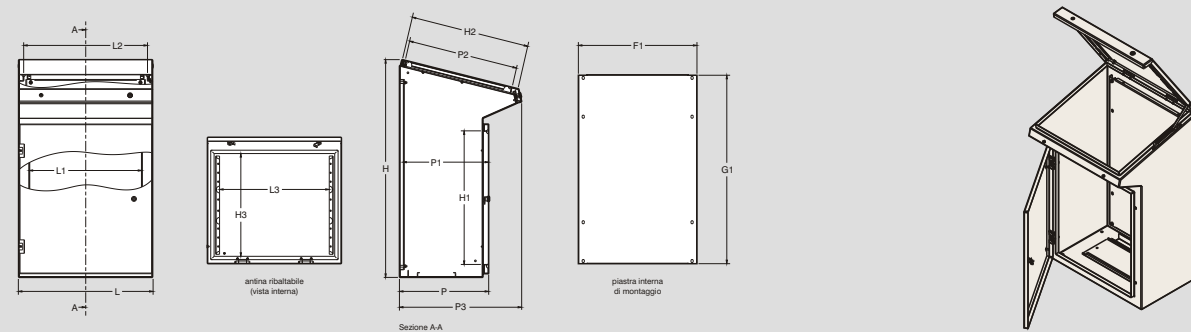


"7000": for racks 19". The frame codes (7001/7004) are supplied as single code because they can be assembled as OPEN TELEPHONE RACKS composed by a single frame or assembled in pairs with tops, bases, sides and doors. Paint: Epoxy Powder Coated Ral 7035/6033.



Code	Description	Height	Depth	Code	Description	Height	Depth
7001	Frame	32 HE		7015	Pair of side panels	32 HE	800
7002	Frame	36 HE		7016	Pair of side panels	36 HE	800
7003	Frame	40 HE		7017	Pair of side panels	40 HE	800
7004	Frame	44 HE		7018	Pair of side panels	44 HE	800
7005	Castors		865	7019	Rear panel	32 HE	
7006	Castors		1065	7020	Rear panel	36 HE	
7007	Plinths	100	600	7021	Rear panel	40 HE	
7008	Plinths	100	800	7022	Rear panel	44 HE	
7009	Set 4 feet M10			7023	Trasparent doors	32 HE	
7010	Set of 4 castors			7024	Trasparent doors	36 HE	
7011	Pair of side panels	32 HE	600	7025	Trasparent doors	40 HE	
7012	Pair of side panels	36 HE	600	7026	Trasparent doors	44 HE	
7013	Pair of side panels	40 HE	600	7027	Base 600 X 600		
7014	Pair of side panels	44 HE	600	7028	Base 600 X 800		

"LM": One-piece console, structure completely welded.



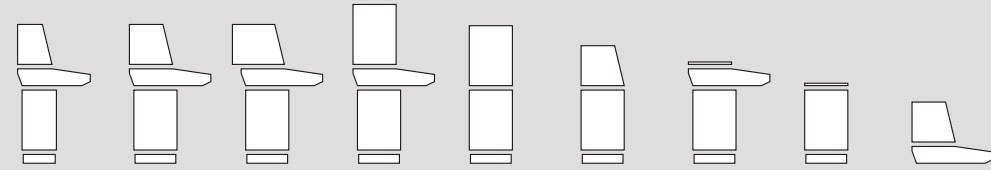
Reversible front door. Lower removable cable entry plate. Internal mounting plate. Sold separately: plinth.

"LM" 400 mm (16") deep

L= in - mm	24 - 600	32 - 800	40 - 1000	48 - 1200
H= in - mm	38.6 - 980	38.6 - 980	38.6 - 980	38.6 - 980
P= in - mm	16 - 400	16 - 400	16 - 400	16 - 400
Codice LM	6014	8014	1014	1214
F1= in - mm	20.86 - 530	28.74 - 730	36.61 - 930	44.48 - 1130
G1= in - mm	33.46 - 850	33.46 - 850	33.46 - 850	33.46 - 850
H1= in - mm	24 - 600	24 - 600	24 - 600	24 - 600
H2= in - mm	20.86 - 530	20.86 - 530	20.86 - 530	20.86 - 530
H3= in - mm	18.11 - 460	18.11 - 460	18.11 - 460	18.11 - 460
L1= in - mm	20 - 500	28 - 700	36 - 900	44 - 1100
L2= in - mm	22 - 550	30 - 750	38 - 950	46 - 1150
L3= in - mm	19.1 - 485	26.96 - 685	34.84 - 885	47.71 - 1085
P1= in - mm	14.76 - 375	14.76 - 375	14.76 - 375	14.76 - 375
P2= in - mm	18.50 - 470	18.50 - 470	18.50 - 470	18.50 - 470
P3= in - mm	22 - 550	22 - 550	22 - 550	22 - 550
Doors	1	1	1	2
Weight (Kg)	40	51	61	72



"LV": modular consoles for various combinations, depth 400 and 500. Desks IP 55 and TÜV certified. Paint: Epoxy Powder Coated Ral 7032. Nema 12



"LV" base					"LV" intermediate consolette					
W=in	23.62	31.50	39.37	47.34	63.00	23.62	31.50	39.37	47.34	63.00
H=in	27.56	27.56	27.56	27.56	27.56	7.87	7.87	7.87	7.87	7.87
D=in	15.75	15.75	15.75	15.75	15.75	33.19	33.19	33.19	33.19	33.19
W=mm	600	800	1000	1200	1600	600	800	1000	1200	1600
H=mm	700	700	700	700	700	200	200	200	200	200
D=mm	400	400	400	400	400	843	843	843	843	843
LV Code	101	102	103	104	105	201	202	203	204	205
Doors	1	1	1	2	2	1	1	1	1	1
Weigh (kg)	49	55	61	67	81	16	20	24	28	37

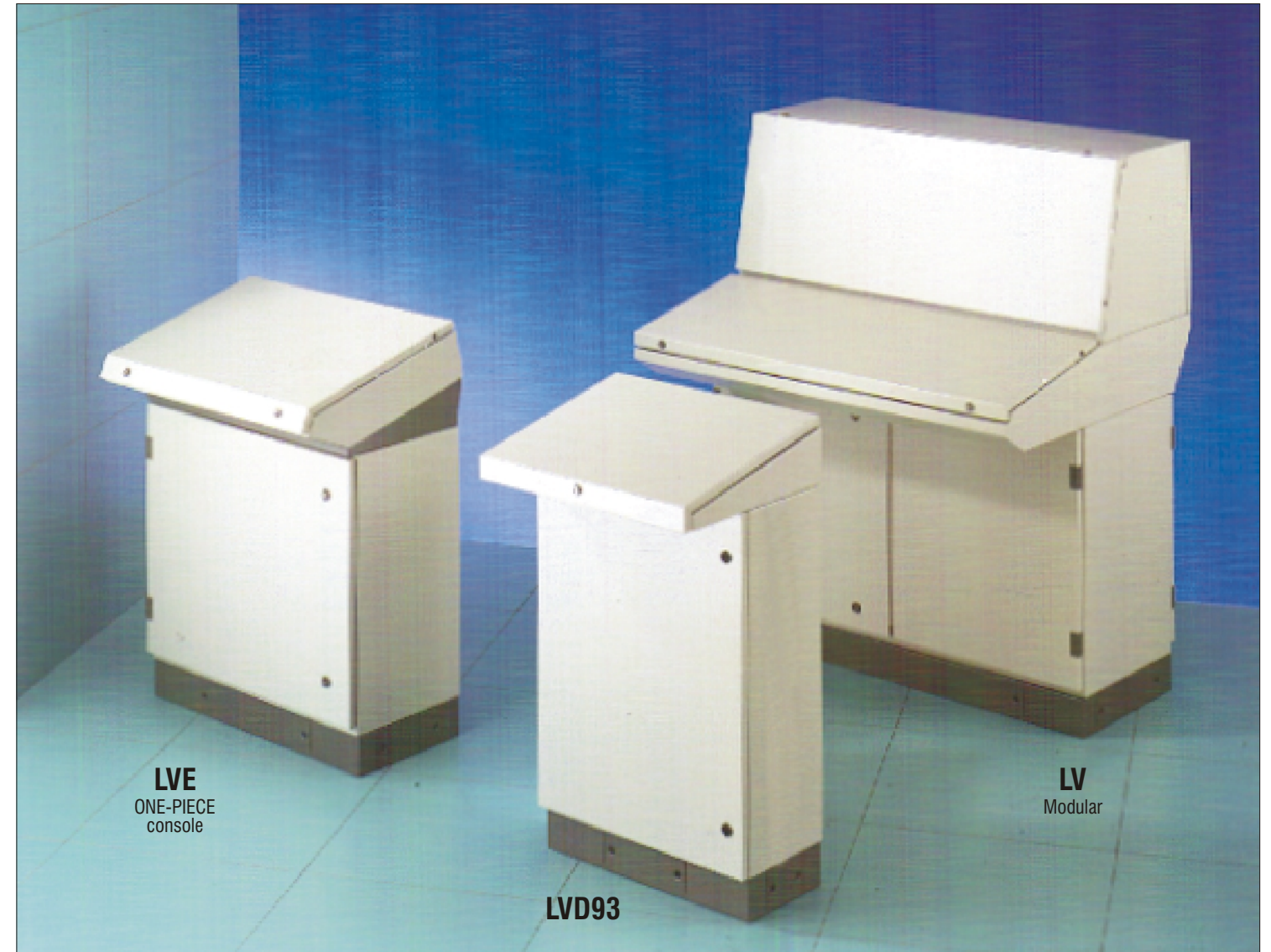
"LV" top element					"LV" plinth					
W=in	23.62	31.50	39.37	47.34	63.00	23.62	31.50	39.37	47.34	63.00
H=in	18.50	18.50	18.50	18.50	18.50	3.94	3.94	3.94	3.94	3.94
D=in	15.35	15.35	15.35	15.35	15.35	14.17	14.17	14.17	14.17	14.17
W=mm	600	800	1000	1200	1600	600	800	1000	1200	1600
H=mm	470	470	470	470	470	100	100	100	100	100
D=mm	390	390	390	390	390	360	360	360	360	360
LV Code	301	302	303	304	305	401	402	403	404	405
Doors	1	1	1	1	1	-	-	-	-	-
Weigh (kg)	23	29	34	40	52	5	6	7	9	11

"LVE": one-piece console with top control box as optional. Sloped desks is removable. IP 55. Paint: Epoxy Powder Coated Ral 7032.

"LVE" LV base					LVE top control box					LVE desk					LVE plinth					
W=in	23.62	31.50	39.37	47.34	63.00	23.62	31.50	39.37	47.34	63.00	23.62	31.50	39.37	47.34	63.00	23.62	31.50	39.37	47.34	63.00
H=in	27.56	27.56	27.56	27.56	27.56	11.81	11.81	11.81	11.81	11.81	11.02	11.02	11.02	11.02	11.02	3.94	3.94	3.94	3.94	3.94
D=in	15.75	15.75	15.75	15.75	15.75	4.72	4.72	4.72	4.72	4.72	22.76	22.76	22.76	22.76	22.76	14.17	14.17	14.17	14.17	14.17
W=mm	600	800	1000	1200	1600	600	800	1000	1200	1600	600	800	1000	1200	1600	600	800	1000	1200	1600
H=mm	700	700	700	700	700	300	300	300	300	300	280	280	280	280	280	100	100	100	100	100
D=mm	400	400	400	400	400	120	120	120	120	120	578	578	578	578	578	360	360	360	360	360
LVE Code	101	102	103	104	105	301	302	303	304	305	201	202	203	204	205	401	402	403	404	405
Doors	1	1	1	2	2	1	1	1	1	1	1	1	1	1	1	-	-	-	-	-
Weigh (kg)	35	39	43	47	54	8	10.5	13	15.5	18	13	15.6	18.2	21	26	5	6	7	9	11

"LVD93": composed of a non-standard enclosure + top consolette. Plate included. Plinth and internal plate, IP 55. Paint: Epoxy Powder Coated Ral 7032.

"LVD93"		
W=in - mm	19.69-500	23.62-600
H=in - mm	41.73-1060	41.73-1060
D=in - mm	19.69-500	19.69-500
LVD93 Code	1	2
Doors	1	1
Weigh (kg)	40	46



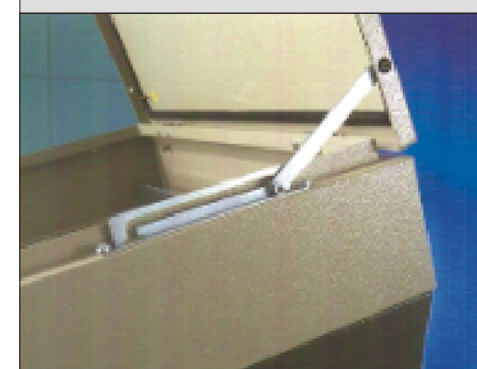
LV base.



LV intermediate desk.



LV top.



Detail of LVE door open lock.

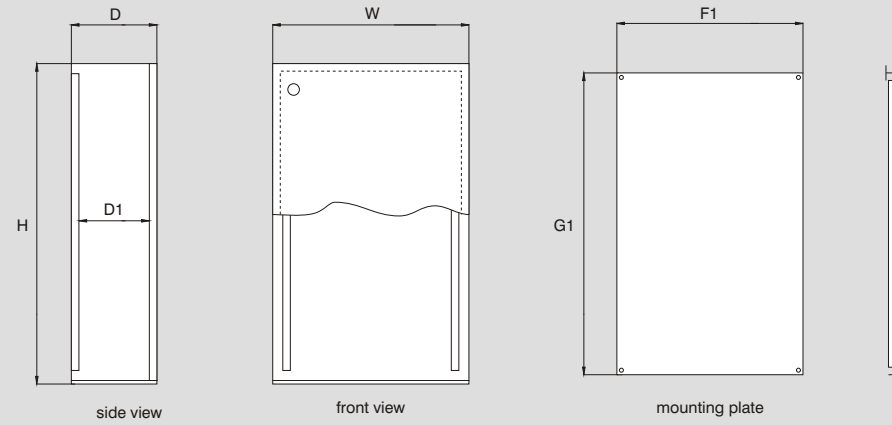


LVE top control box.



LVE detail.

"2800": Enclosure with polyurethane gasket. Completely welded, solid front door, internal plate. Gland plate models available upon request. Powder coated in RAL 7032.
Sold separately: mounting plates, mounting brackets. Nema 4/12. UL/CUL approved. IP55.

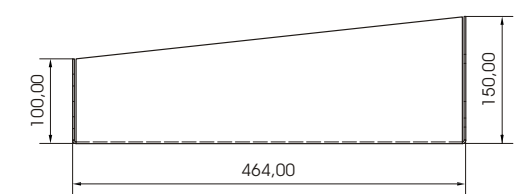
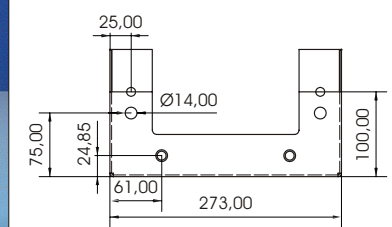
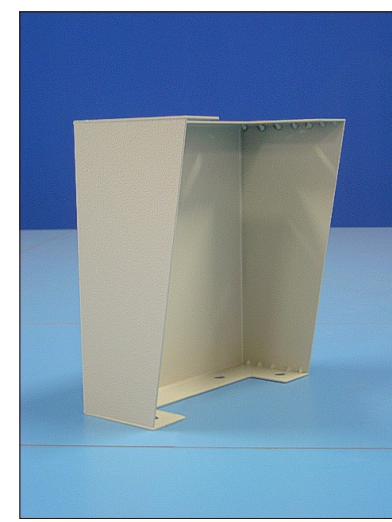
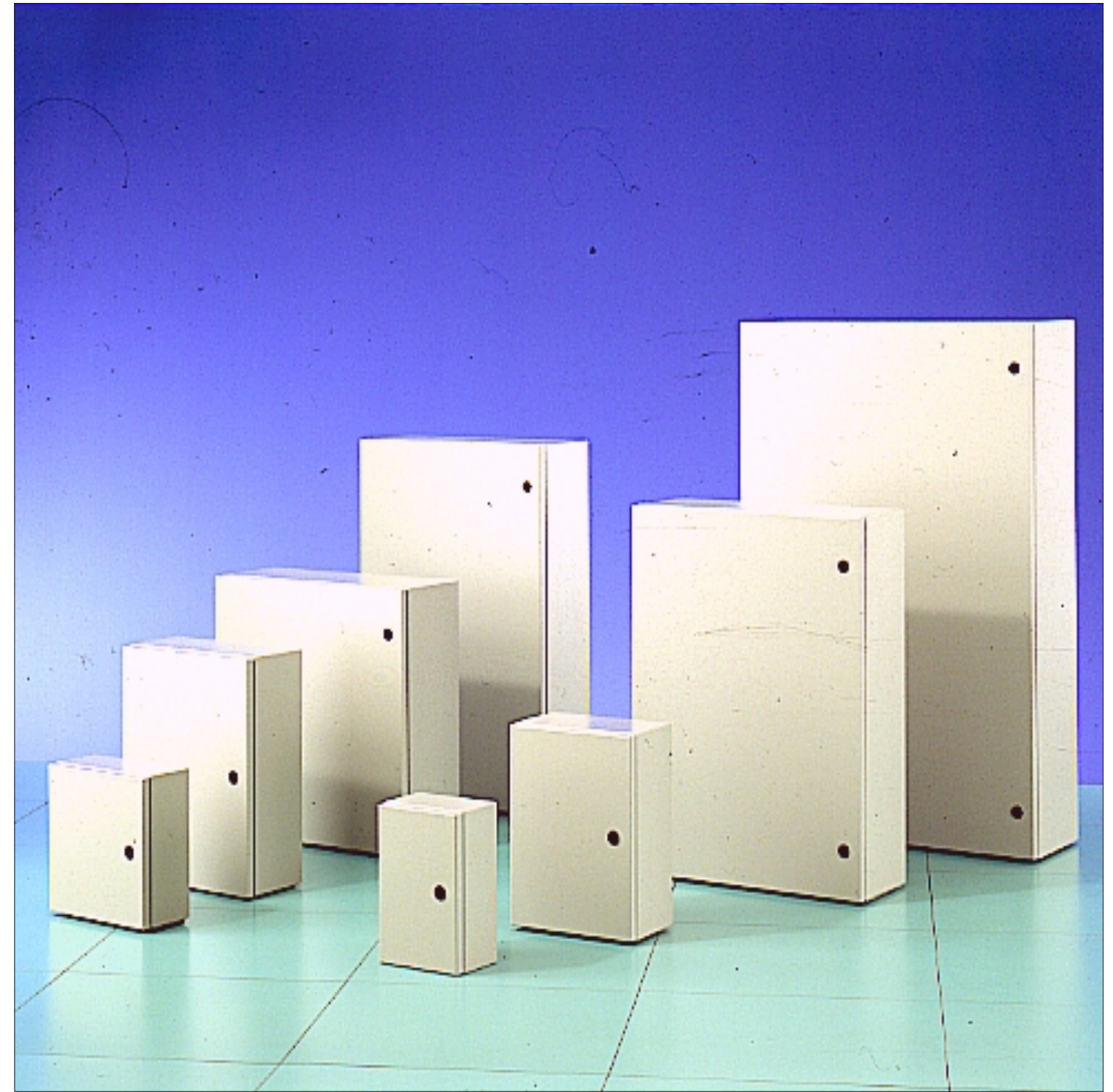


Boxes "2800"

W=in	8.11	8.11	10.00	10.00	12.00	12.00	12.00	12.00	16.00	16.00	16.00	16.00	16.00	16.00	16.00	16.00	19.92	19.92	23.85	19.92	19.92	19.92
H=in	12.00	12.00	12.00	12.00	12.00	12.00	16.00	16.00	16.00	16.00	19.92	19.92	19.92	23.85	23.85	23.85	19.92	19.92	16.00	23.85	23.85	23.85
D=in	5.91	7.87	5.91	7.87	5.91	5.91	7.87	7.87	5.91	7.87	5.91	7.87	9.84	5.91	7.87	9.84	7.87	9.84	7.87	5.91	7.87	9.84
W=mm	206	206	256	256	306	306	306	306	406	406	406	406	406	406	406	406	506	506	606	606	506	506
H=mm	306	306	306	306	306	306	406	406	406	406	506	506	506	506	506	506	606	606	606	606	606	606
D=mm	150	200	150	200	150	200	150	200	150	200	150	200	250	150	200	250	200	250	200	150	200	250
Code	28020	28030	28035	28036	28040	28041	28060	28070	28100	28110	28115	28116	28117	28119	28120	28130	28134	28135	28140	28171	28172	28173
F1=in	6.70	6.70	8.66	8.66	10.63	10.63	10.63	10.63	14.57	14.57	14.57	14.57	14.57	14.57	14.57	18.50	18.50	21.65	17.72	17.72	17.72	17.72
G1=in	9.84	9.84	9.84	9.84	9.84	9.84	13.78	13.78	13.78	13.78	17.72	17.72	17.72	21.65	21.65	21.65	17.72	17.72	14.57	21.65	21.65	21.65
D1=in	5.43	7.20	5.43	7.20	5.43	7.20	5.43	7.20	5.43	7.20	5.43	7.20	9.17	5.43	7.20	9.17	7.20	9.17	7.20	5.43	7.01	9.17
F1=mm	170	170	220	220	270	270	270	370	370	370	370	370	370	370	370	470	470	470	550	470	470	470
G1=mm	250	250	250	250	250	250	350	350	350	350	450	450	450	550	550	550	450	450	370	550	550	550
D1=mm	138	183	138	183	138	183	138	183	138	183	138	183	233	138	183	233	183	233	183	128	178	233
Doors	1	1	1	1	1	1	1	1	1	1	1	1	1	1	1	1	1	1	1	1	1	1
Weight (Kg)	5.2	5.8	6.4	7	7	7.6	9.6	9.9	10	10.5	14.5	15.1	15.9	16.5	17	19.1	16.5	17	17	18.2	19.5	21

Boxes "2800"

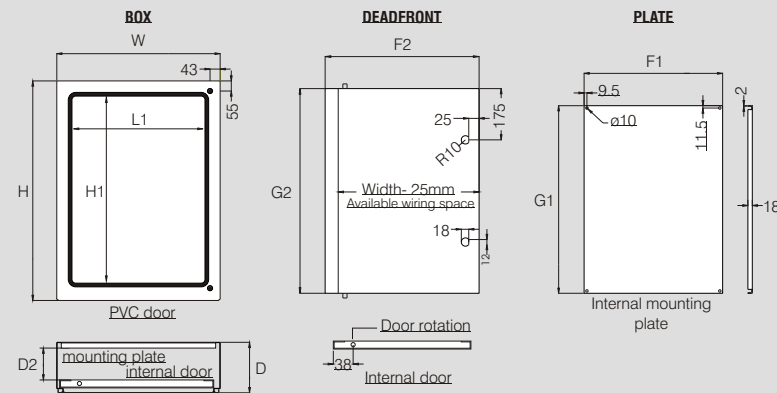
W=in	23.85	19.92	19.92	23.85	23.85	23.85	23.85	23.85	23.85	23.85	23.85	31.73	31.73	31.73	31.73	31.73	23.85	31.73	31.73	31.73	31.73	
H=in	23.85	27.80	27.80	23.85	31.73	31.73	31.73	35.67	35.67	35.67	39.61	39.61	31.73	31.73	39.61	39.61	39.61	47.48	47.48	47.48	47.48	
D=in	7.87	7.87	9.84	9.84	7.87	9.84	11.81	7.87	9.84	11.81	9.84	11.81	11.81	15.75	7.87	9.84	11.81	15.75	11.81	9.84	11.81	15.75
W=mm	606	506	506	606	606	606	606	606	606	606	806	806	806	806	806	806	806	606	806	806	806	806
H=mm	606	706	706	606	806	806	806	906	906	906	1006	1006	806	806	1006	1006	1006	1206	1206	1206	1206	1206
D=mm	200	200	250	250	200	250	300	200	250	300	250	300	300	400	200	250	300	400	300	250	300	400
Code	28174	28175	28176	28177	28179	28180	28190	28192	28193	28194	28195	28196	28200	28210	28218	28219	28220	28230	28240	28250	28260	28270
F1=in	21.65	17.72	17.72	21.65	21.65	21.65	21.65	21.65	21.65	21.65	21.65	21.65	29.53	29.53	29.53	29.53	29.53	29.53	21.65	29.53	29.53	29.53
G1=in	21.65	25.59	25.59	21.65	29.53	29.53	29.53	33.46	33.46	33.46	37.40	37.40	29.53	29.53	37.40	37.40	37.40	45.28	45.28	45.28	45.28	45.28
D1=in	7.01	7.01	8.98	8.98	7.01	8.98	10.94	7.01	8.98	10.94	8.98	10.94	10.94	14.88	7.01	8.98	10.94	14.88	10.94	8.98	10.94	14.88
F1=mm	550	450	450	550	550	550	550	550	550	550	550	550	750	750	750	750	750	750	550	750	750	750
G1=mm	550	650	650	550	750	750	750	850	850	850	950	950	750	750	950	950	950	1150	1150	1150	1150	1150
D1=mm	178	178	228	228	178	228	278	178	228	278	228	278	278	378	178	228	278	378	278	228	278	378
Doors	1	1	1	1	1	1	1	1	1	1	1	1	1	1	1	1	1	1	1	1	1	1
Weight (kg)	23.6	23	24.5	25	29.2	30.8	32.5	32.5	34.7	36.7	37.5	39.8	38.5	44.5	45.6	47.5	49.7	52	46	55.4	59	61



Floor stand kit, available in painted or stainless steel. Height: 6", 12", 15" and 18"
Width: same as any of our "2800 series" enclosures. Part #: add "LG" to enclosure number

"2800" Wall Mounted Enclosures

"2830": Enclosure with polyurethane gasket. Completely welded, PVC door, internal plate. Gland plate models available upon request. Powder coated in RAL 7032.
 Sold separately: mounting plates, mounting brackets. Nema 12. UL/CUL approved. IP55.



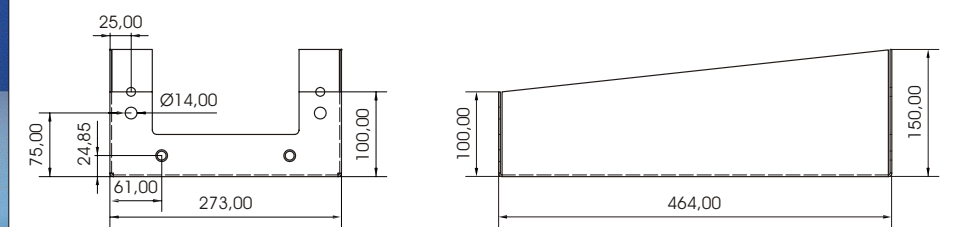
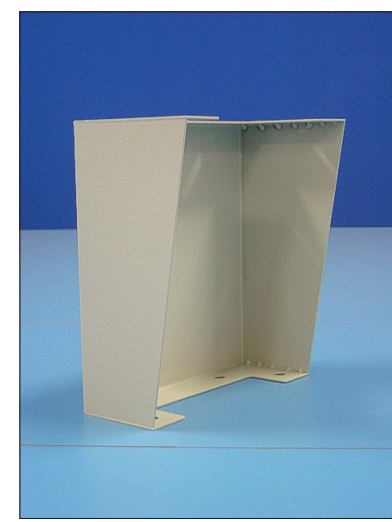
H1 = H - 151mm
 L1 = W - 151mm
 D2 = D - 70mm for **28370** to **28330**
 D2 = D - 75mm for **28375** to **28460**
 F2 = W - 31mm
 G2 = H - 56mm

Boxes "2830"

W=in	12	16	16	16	19.92	16	16	19.92	19.92	23.85	23.85	23.85	23.85	23.85	23.85	23.85	23.85	23.85	23.85	31.73	31.73
H=in	16	16	19.92	19.92	19.92	23.85	23.85	27.80	27.80	23.85	23.85	31.73	31.73	31.73	35.67	35.67	35.67	39.61	39.61	39.61	39.61
D=in	7.87	7.87	7.87	9.84	7.87	7.87	9.84	7.87	9.84	7.87	9.84	7.87	9.84	11.81	7.87	9.84	11.81	9.84	11.81	7.87	9.84
W=mm	306	406	406	406	506	406	406	506	506	606	606	606	606	606	606	606	606	606	606	806	806
H=mm	406	406	506	506	506	606	606	706	706	606	606	806	806	806	906	906	906	1006	1006	1006	1006
D=mm	200	200	200	250	200	200	250	200	250	200	250	200	250	300	200	250	300	250	300	200	250
Code	28370	28310	28316	28317	28334	28320	28330	28375	28376	28374	28377	28379	28380	28390	28392	28393	28394	28395	28396	28318	28319
F1=in	10.63	14.57	14.57	14.57	18.50	14.57	14.57	17.72	17.72	21.65	21.65	21.65	21.65	21.65	21.65	21.65	21.65	21.65	21.65	29.53	29.53
G1=in	13.78	14.57	17.72	17.72	17.72	21.65	21.65	25.59	25.59	21.65	21.65	29.53	29.53	29.53	33.46	33.46	33.46	37.40	37.40	37.40	37.40
D1=in	7.20	7.20	7.20	9.17	7.20	7.20	9.17	7.01	8.98	7.01	8.98	7.01	8.98	10.94	7.01	8.98	10.94	8.98	10.94	7.01	8.98
F1=mm	270	370	370	370	470	370	370	450	450	550	550	550	550	550	550	550	550	550	550	750	750
G1=mm	350	350	450	450	450	550	550	650	650	550	550	750	750	750	850	850	850	950	950	950	950
D1=mm	183	183	183	233	183	183	233	178	228	178	228	178	228	278	178	228	278	228	278	178	228
Doors	1	1	1	1	1	1	1	1	1	1	1	1	1	1	1	1	1	1	1	1	1
Weight (Kg)	9.9	10.5	15.1	15.9	16.5	17	19.1	23	24.5	23.6	25	29.2	30.8	32.5	32.7	34.7	36.7	37.5	39.8	45.6	46

Boxes "2830"

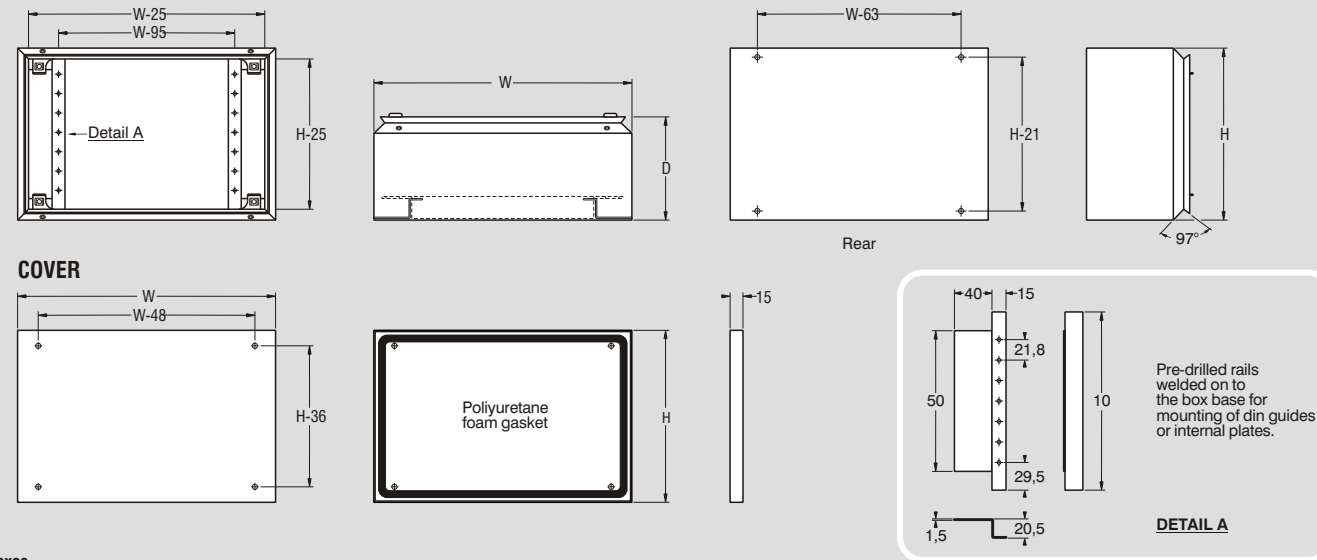
W=in	31.73	23.85	31.73	31.73																	
H=in	39.61	47.48	47.48	47.48																	
D=in	11.81	11.81	9.84	11.81																	
W=mm	806	606	806	806																	
H=mm	1006	1206	1206	1206																	
D=mm	300	300	250	300																	
Code	28420	28440	28450	28460																	
F1=in	29.53	21.65	29.53	29.53																	
G1=in	37.40	45.28	45.28	45.28																	
D1=in	10.94	10.94	8.98	10.94																	
F1=mm	750	550	750	750																	
G1=mm	950	1150	1150	1150																	
D1=mm	278	278	228	278																	
Doors	1	1	1	1																	
Weight (kg)	49.7	46	55.4	59																	



Floor stand kit, available in painted or stainless steel. Height: 6", 12", 15" and 18"
 Width: same as any of our "2800 series" enclosures. Part #: add "LG" to enclosure number

"2830" Wall Mounted Enclosures

"ES" JUNCTION BOXES: supplied with screwed-in cover and two internal rail supports, welded to the base. Boxes IP 55 and TÜV certified. Paint: Epoxy Powder Coated Ral 7032



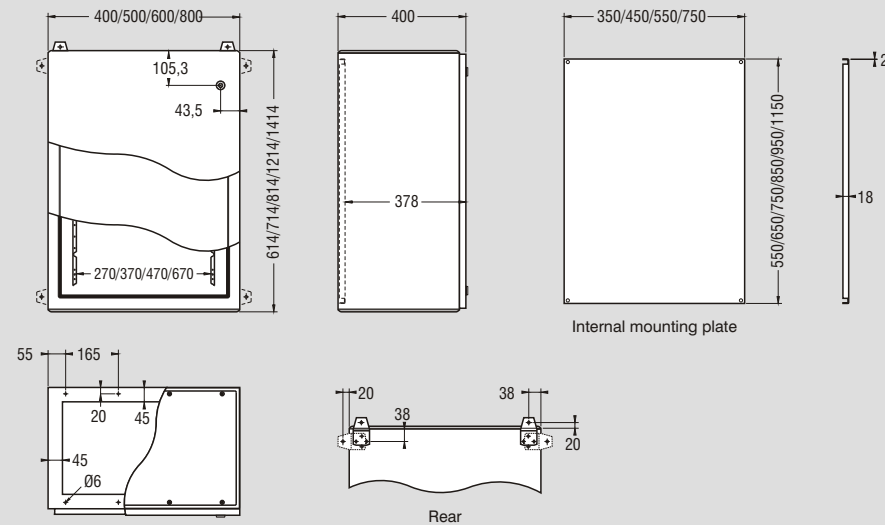
"ES": junction boxes

D=in - mm	3.15-80	4.71-120	-	-	-	-	-	-	-	-	-	-	-	-	-	-	-	-
H=in - mm	5.91-150	7.08-180	7.87-200	11.81-300	15.75-400	-	-	-	-	-	-	-	-	-	-	-	-	-
W=in - mm	7.08-180	7.87-200	11.81-300	15.75-5400	19.69-500	23.62-600	31.5-800	-	-	-	-	-	-	-	-	-	-	-

"ES": junction boxes

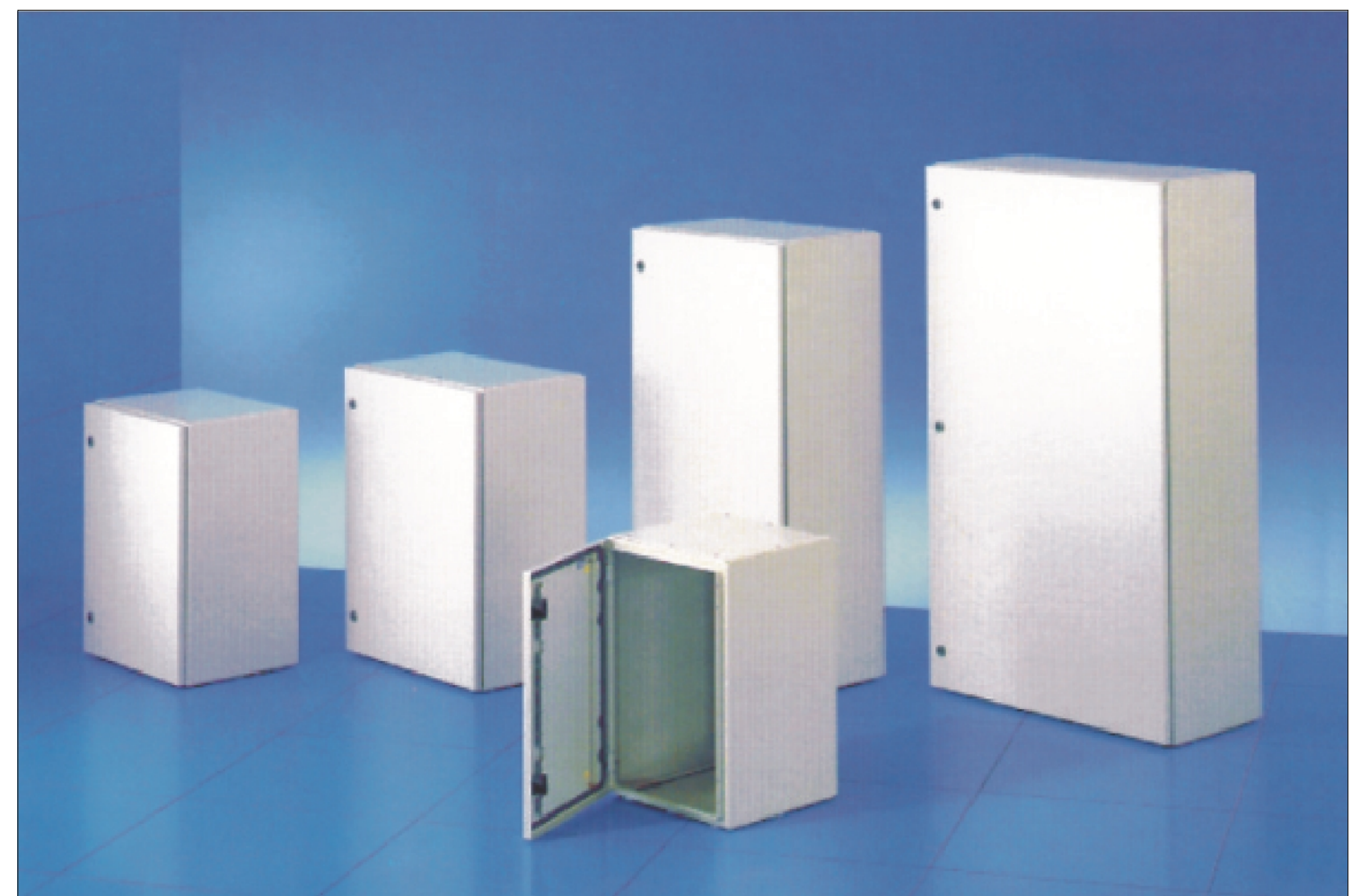
W=in - mm	7.08-180	7.87-200	7.87-200	11.81-300	7.87-200	11.81-300	11.81-300	11.81-300	15.75-400	15.75-400	15.75-400	19.69-500	19.69-500	23.62-600	23.62-600	23.62-600	31.5-800	31.5-800
H=in - mm	5.91-150	7.08-180	7.87-200	5.91-150	7.87-200	5.91-150	7.87-200	11.81-300	7.87-200	11.81-300	15.75-400	7.87-200	11.81-300	7.87-200	11.81-300	15.75-400	7.87-200	15.75-400
D=in - mm	3.15-80	3.15-80	3.15-80	3.15-80	4.71-120	4.71-120	4.71-120	4.71-120	4.71-120	4.71-120	4.71-120	4.71-120	4.71-120	4.71-120	4.71-120	4.71-120	4.71-120	4.71-120
ES Code	1	2	21	23	22	24	3	25	4	26	27	5	7	6	28	8	29	9
Doors	1	1	1	1	1	1	1	1	1	1	1	1	1	1	1	1	1	1
Weigh (kg)	1.7	2	2.1	2.4	2.5	2.8	3.2	4.3	4.7	5.2	6.4	5.5	7.1	6.2	7.8	10.4	7.6	12.9

"D01": wall mounted boxes 400 mm deep, complete with internal plate. Double top and bottom flanges. Double cam lock. IP55 protection. Paint: Epoxy Powder Coated Ral 7032

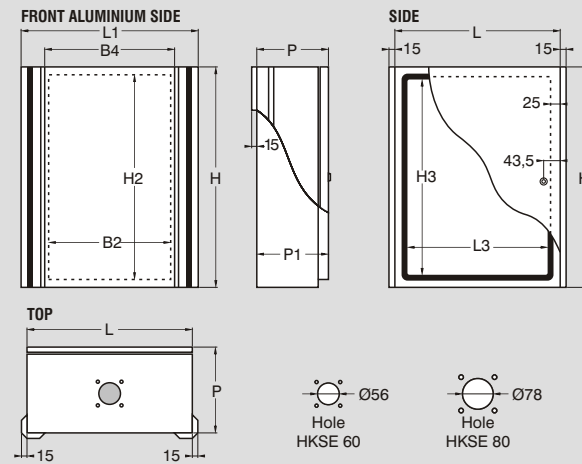


"D01" boxes: nema 4 enclosures, 400 mm (16") deep.

W=in - mm	15.75-400	19.69-500	23.62-600	23.62-600	23.62-600	23.62-600	31.5-800	31.5-800	31.5-800									
H=in - mm	23.62-600	27.56-700	31.5-800	39.37-1000	47.24-1200	55.12-1400	39.37-1000	47.24-1200	55.12-1400									
D=in - mm	15.75-400	15.75-400	15.75-400	15.75-400	15.75-400	15.75-400	15.75-400	15.75-400	15.75-400									
D01 Code	4604	5704	6804	6104	6124	6144	8104	8124	8144									
Doors	1	1	1	1	1	1	1	1	1									
Weigh (kg)	22	28.5	36	43	50	57	52	61	70									



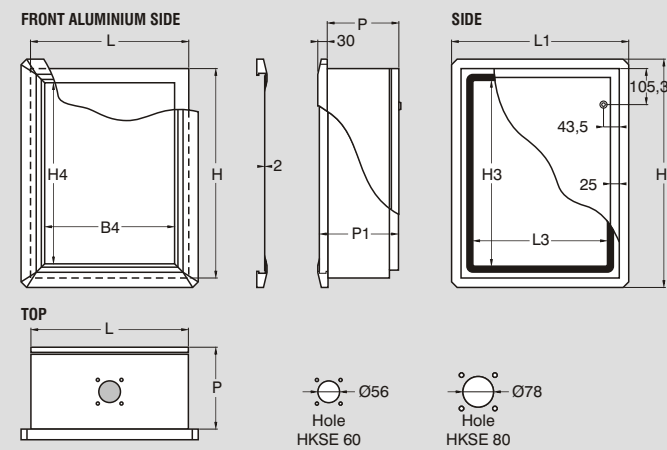
“DPH” PENDANT BOXES: Completely welded 1,5 mm (16 ga) steel box, with openable rear door, 2 mm (14 ga) aluminium front panel and painted aluminium handle.
Paint: Epoxy Powder Coated Ral 7035/6033.



“DPH” Pendant boxes

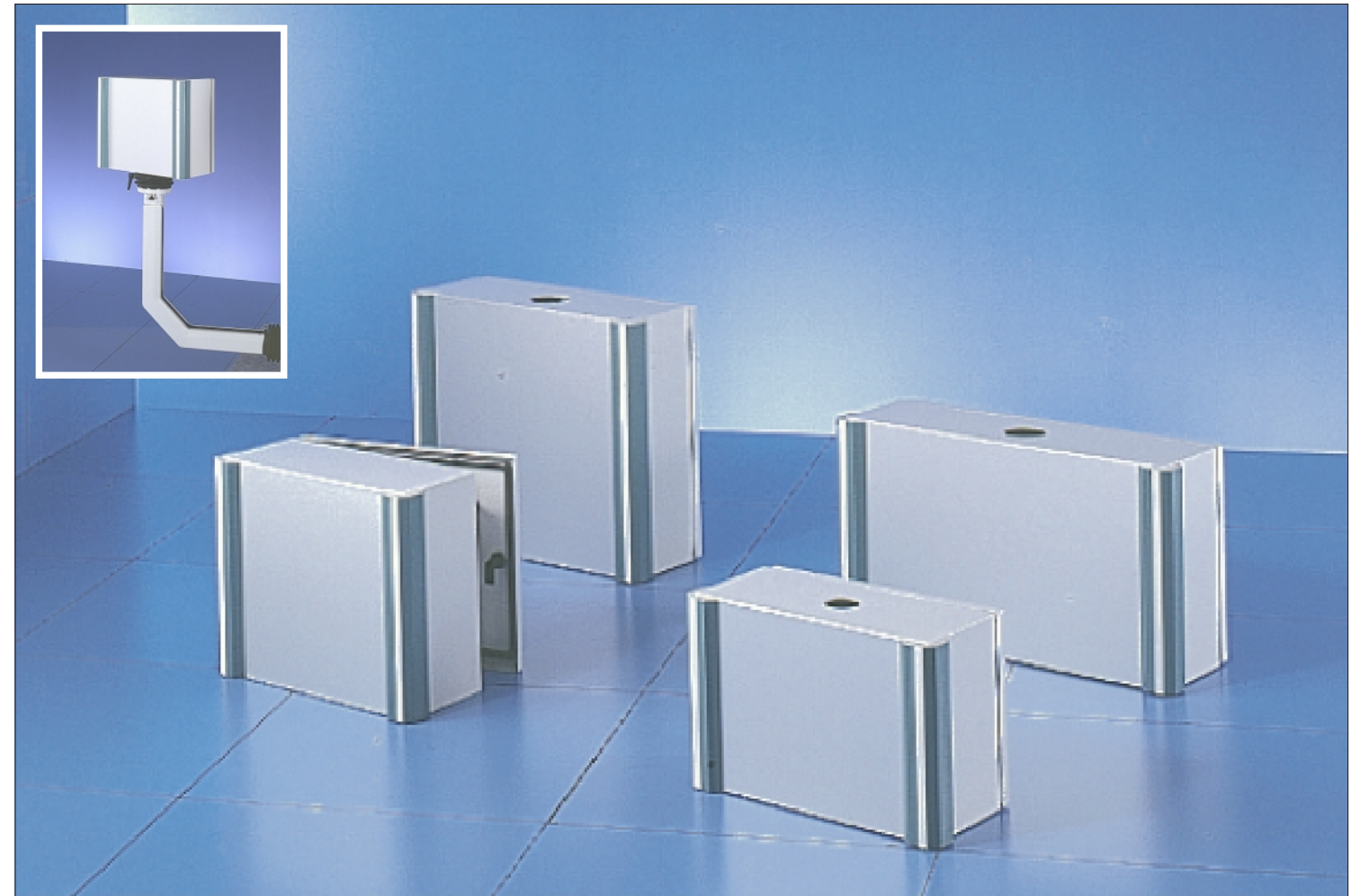
L= in - mm	14.17 - 360	17.32 - 440	17.32 - 440	22.05 - 560	25.98 - 660				
H= in - mm	7.87 - 200	11.81 - 300	14.96 - 380	19.69 - 500	14.96 - 380				
P= in - mm	6.10 - 155	8.27 - 210	8.27 - 210	8.27 - 210	8.27 - 210				
Cod. DPH	3620/6	4430/6	4438/6	5650/6	6638/6				
Cod. DPH	3620/8	4430/8	4438/8	5650/8	6638/8				
B4= in - mm	10.24 - 260	13.38 - 340	13.38 - 340	13.38 - 460	22.05 - 560				
B2= in - mm	9.45 - 240	12.6 - 320	12.6 - 320	17.32 - 440	21.26 - 540				
H2= in - mm	6.3 - 160	10.24 - 260	13.38 - 340	13.38 - 460	13.38 - 340				
H3= in - mm	5.6 - 142	9.53 - 242	12.68 - 322	40 - 442	12.68 - 322				
L1= in - mm	15.35 - 390	18.5 - 470	18.5 - 470	23.23 - 590	27.16 - 690				
L3= in - mm	11.89 - 302	15.04 - 382	15.04 - 382	19.76 - 502	23.7 - 602				
P1= in - mm	6.02 - 153	8.19 - 208	8.19 - 208	8.19 - 208	8.19 - 208				
Doors	1	1	1	1	1				
Weight (Kg.)	8	10	12	15	14				

“DCF” PENDANT BOXES: Completely welded 1,5 mm (16 ga) steel box, with openable rear door, 2 mm (14 ga) aluminium front panel and painted aluminium perimetrical frame.
Paint: Epoxy Powder Coated Ral 7035/6016.



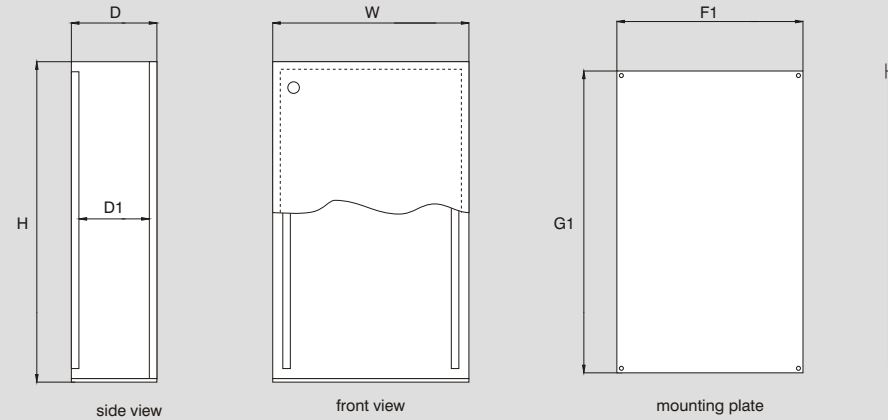
“DCF” Pendant boxes

L= in - mm	15.75 - 400	15.75 - 400	15.75 - 400	19.69 - 500	19.69 - 500	23.62 - 600			
H= in - mm	15.75 - 400	19.69 - 500	23.62 - 600	19.69 - 500	27.56 - 700	23.62 - 600			
P= in - mm	7.87 - 200	7.87 - 200	7.87 - 200	7.87 - 200	13.78 - 350	13.78 - 350			
Cod. DCF	4420/6	4520/6	4620/6	5520/6	5735/6	6635/6			
Cod. DCF	4420/8	4520/8	4620/8	5520/8	5735/8	6635/8			
B4= in - mm	12.40 - 315	12.40 - 315	12.40 - 315	16.34 - 415	16.34 - 415	20.27 - 515			
H4= in - mm	12.40 - 315	16.34 - 415	20.27 - 515	16.34 - 415	24.21 - 615	20.27 - 515			
H1= in - mm	17.72 - 450	21.65 - 550	25.59 - 650	21.65 - 550	29.53 - 750	25.59 - 650			
H3= in - mm	13.46 - 342	17.40 - 442	21.34 - 542	17.40 - 442	25.27 - 642	21.34 - 542			
L1= in - mm	17.72 - 450	17.72 - 450	17.72 - 450	21.65 - 550	21.65 - 550	25.59 - 650			
L3= in - mm	13.46 - 342	13.46 - 342	13.46 - 342	17.40 - 442	17.40 - 442	21.34 - 542			
P1= in - mm	8.7 - 221	8.7 - 221	8.7 - 221	8.7 - 221	14.61 - 371	14.61 - 371			
Doors	1	1	1	1	1	1			
Weight (Kg.)	11.5	13	14.5	15	25	26			



STAINLESS STEEL WALL MOUNTED BOXES: completely welded, with solid or PVC door and internal mounting plate. IP55 protection and TÜV certified. Stainless steel AISI 304. Nema 4x. Mounting plate always included. Sold separately: mounting brackets.

For Boxes with PVC door add "-SS" to "2830" codes of page 16.

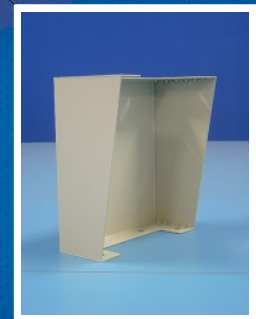


Boxes "2800-ss"

W=in	8.11	8.11	10.00	10.00	12.00	12.00	12.00	12.00	16.00	16.00	16.00	16.00	16.00	16.00	16.00	16.00	19.92	19.92	23.85	19.92	19.92	19.92
H=in	12.00	12.00	12.00	12.00	12.00	12.00	16.00	16.00	16.00	16.00	19.92	19.92	19.92	23.85	23.85	23.85	19.92	19.92	16.00	23.85	23.85	23.85
D=in	5.91	7.87	5.91	7.87	5.91	5.91	5.91	7.87	5.91	7.87	5.91	7.87	9.84	5.91	7.87	9.84	7.87	9.84	7.87	5.91	7.87	9.84
W=mm	206	206	256	256	306	306	306	306	406	406	406	406	406	406	406	406	506	506	606	606	506	506
H=mm	306	306	306	306	306	306	406	406	406	406	506	506	506	606	606	606	606	606	506	606	606	606
D=mm	150	200	150	200	150	200	150	200	150	200	150	200	250	150	200	250	200	250	200	150	200	250
Code	28020/SS	28030/SS	28035/SS	28036/SS	28040/SS	28041/SS	28060/SS	28070/SS	28100/SS	28110/SS	28115/SS	28116/SS	28117/SS	28119/SS	28120/SS	28130/SS	28134/SS	28135/SS	28140/SS	28171/SS	28172/SS	28173/SS
F1=in	6.70	6.70	8.66	8.66	10.63	10.63	10.63	10.63	14.57	14.57	14.57	14.57	14.57	14.57	14.57	14.57	18.50	18.50	21.65	17.72	17.72	17.72
G1=in	9.84	9.84	9.84	9.84	9.84	9.84	13.78	13.78	13.78	13.78	17.72	17.72	17.72	21.65	21.65	21.65	17.72	17.72	14.57	21.65	21.65	21.65
D1=in	5.43	7.20	5.43	7.20	5.43	7.20	5.43	7.20	5.43	7.20	5.43	7.20	9.17	5.43	7.20	9.17	7.20	9.17	7.20	5.43	7.01	9.17
F1=mm	170	170	220	220	270	270	270	370	370	370	370	370	370	370	370	370	470	470	550	470	470	470
G1=mm	250	250	250	250	250	250	350	350	350	350	450	450	450	550	550	550	450	450	370	550	550	550
D1=mm	138	183	138	183	138	183	138	183	138	183	138	183	233	138	183	233	183	233	183	128	178	233
Doors	1	1	1	1	1	1	1	1	1	1	1	1	1	1	1	1	1	1	1	1	1	1
Weight (Kg)	5.2	5.8	6.4	7	7	7.6	9.6	9.9	10	10.5	14.5	15.1	15.9	16.5	17	19.1	16.5	17	17	18.2	19.5	21

Boxes "2800-ss"

W=in	23.85	19.92	19.92	23.85	23.85	23.85	23.85	23.85	23.85	23.85	23.85	31.73	31.73	31.73	31.73	31.73	31.73	23.85	31.73	31.73	31.73	
H=in	23.85	27.80	27.80	23.85	31.73	31.73	31.73	35.67	35.67	35.67	39.61	39.61	31.73	31.73	39.61	39.61	39.61	39.61	47.48	47.48	47.48	47.48
D=in	7.87	7.87	9.84	9.84	7.87	9.84	11.81	7.87	9.84	11.81	9.84	11.81	11.81	15.75	7.87	9.84	11.81	15.75	11.81	9.84	11.81	15.75
W=mm	606	506	506	606	606	606	606	606	606	606	606	806	806	806	806	806	806	806	606	806	806	806
H=mm	606	706	706	606	806	806	806	906	906	1006	1006	1006	1006	1006	1006	1006	1006	1006	1206	1206	1206	1206
D=mm	200	200	250	250	200	250	300	200	250	300	250	300	300	400	200	250	300	400	300	250	300	400
Code	28174/SS	28175/SS	28176/SS	28177/SS	28179/SS	28180/SS	28190/SS	28192/SS	28193/SS	28194/SS	28195/SS	28196/SS	28200/SS	28210/SS	28218/SS	28219/SS	28220/SS	28230/SS	28240/SS	28250/SS	28260/SS	28270/SS
F1=in	21.65	17.72	17.72	21.65	21.65	21.65	21.65	21.65	21.65	21.65	21.65	21.65	29.53	29.53	29.53	29.53	29.53	29.53	21.65	29.53	29.53	29.53
G1=in	21.65	25.59	25.59	21.65	29.53	29.53	33.46	33.46	33.46	33.46	37.40	37.40	37.40	37.40	37.40	37.40	37.40	37.40	45.28	45.28	45.28	45.28
D1=in	7.01	7.01	8.98	8.98	7.01	8.98	10.94	7.01	8.98	10.94	8.98	10.94	10.94	14.88	7.01	8.98	10.94	14.88	10.94	8.98	10.94	14.88
F1=mm	550	450	450	550	550	550	550	550	550	550	550	550	750	750	750	750	750	750	550	750	750	750
G1=mm	550	650	650	550	750	750	750	850	850	850	950	950	950	950	950	950	950	950	1150	1150	1150	1150
D1=mm	178	178	228	228	178	228	278	178	228	278	228	278	278	378	178	228	278	378	278	228	278	378
Doors	1	1	1	1	1	1	1	1	1	1	1	1	1	1	1	1	1	1	1	1	1	1
Weight (kg)	23.6	23	24.5	25	29.2	30.8	32.5	32.5	34.7	36.7	37.5	39.8	38.5	44.5	45.6	47.5	49.7	52	46	55.4	59	61



Floor stand kit, available in painted or stainless steel
Height: 6", 12", 15" and 18"
Width: same as any of our "2800 series" enclosures
part #: add "LG" to enclosure number



"2800/SS" Wall Mounted Enclosures

FOR STAINLESS STEEL
PART NUMBER SIMPLY
ADD "/A" TO PAINTED
STEEL PART NUMBER



"TSR" - "TSR/V"
Modular stainless steel
Aisi 304, cabinets
complete with reversible
solid or transparent
door/s, removable rear
panel, removable top,
removable bottom plates
with flanges for cable
entry. IP55 protection.



"TFR" - "TFR/V"
Modular stainless steel
Aisi 304, cabinets with
closed sides, complete
with reversible solid or
transparent door/s,
removable rear panel,
removable bottom plates
with flanges for cable
entry. IP55 protection.



"LV" - "LVE" - "LVD93"
Modular stainless steel
Aisi 304 desks, composed
by plinths with various
depths, intermediate shelves
and upper elements.
IP55 protection.

"LAN"
Stainless steel Aisi 304
cabinets for computers
one-piece or modular
structure, complete with
monitor, keyboard and central
unit supports. IP55 protection.



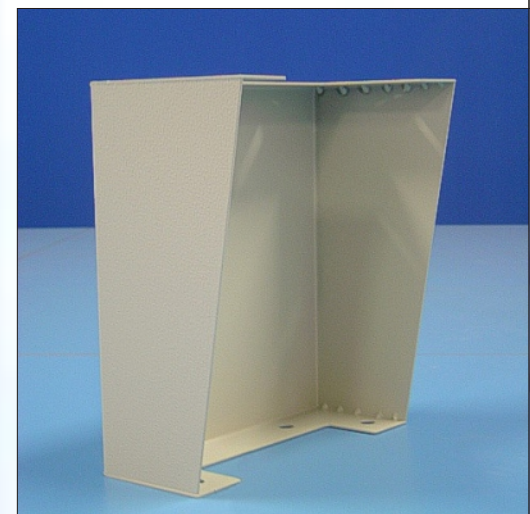


SHEET-METAL ACCESSORIES

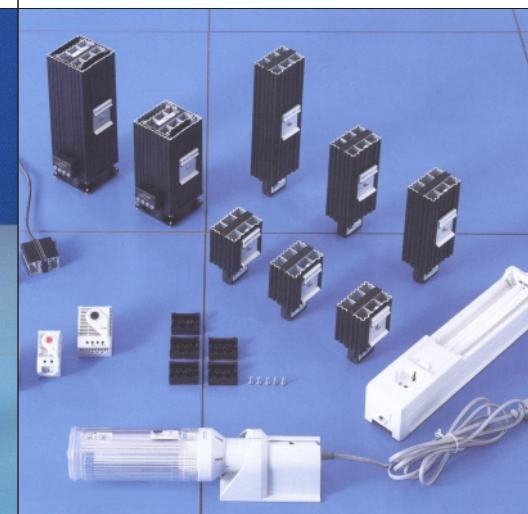
PLINTHS AND CASTERS

SIDEWALLS

ACCESSORIES



FLOOR STAND KIT

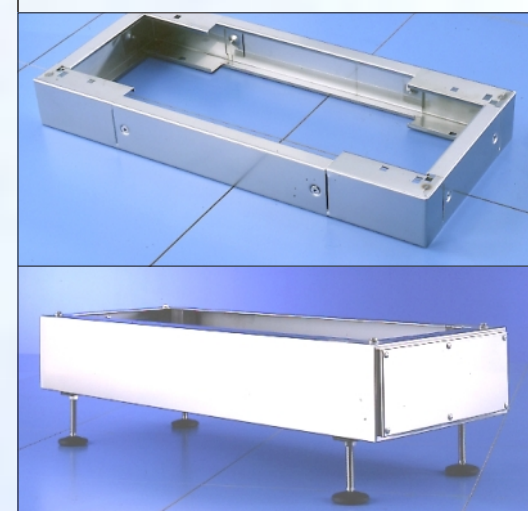


HEATERS



ACCESSORIES

LOCKS AND HARDWARE



PLINTHS AND CASTERS



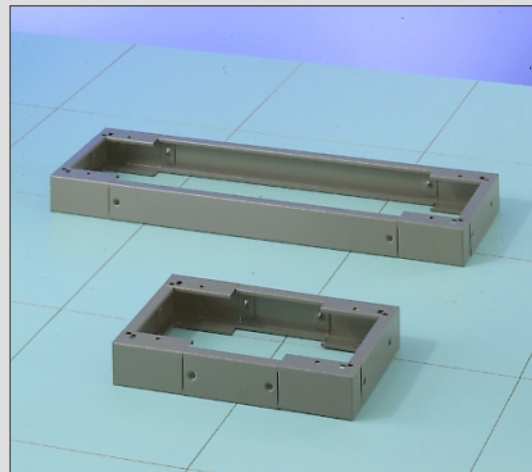
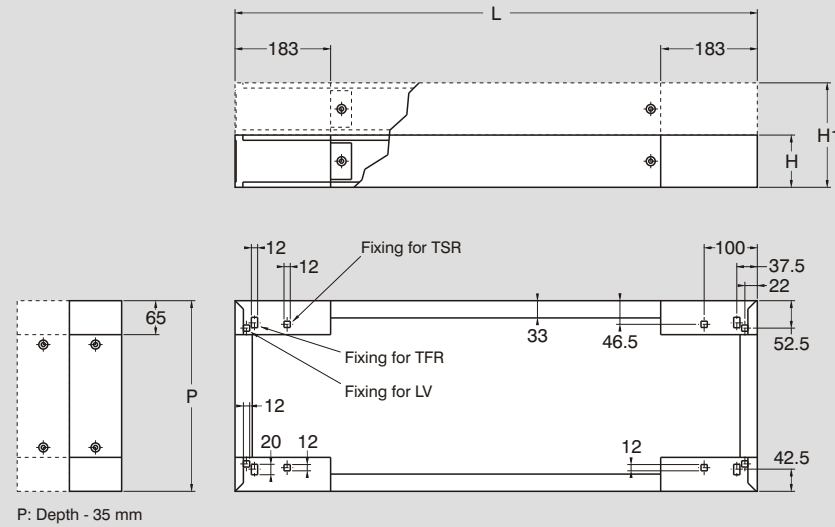
SIDEWALLS

STAINLESS STEEL ACCESSORIES
 ALL ACCESSORIES ARE ALSO AVAILABLE IN STAINLESS STEEL, FOR ADDITIONAL DETAILS PLEASE CONTACT US DIRECTLY

ALL DIMENSIONS IN MM (1 INCH=25.4 MM)

MODULAR PLINTHS H100 OR H200 MM

Made of sheet-metal thickness 16ga, 100 mm (4") or 200 mm (8") high. Composed of 4 corner pieces and side panels. Paint: Textured RAL 7009.

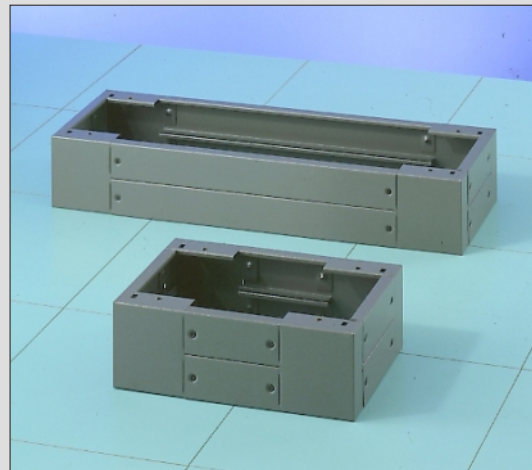


Modular plinths H.100

W=mm	200	200	200	200	200	300	300	300	300	300	300	400	400	400	400	400		
H=mm	100	100	100	100	100	100	100	100	100	100	100	100	100	100	100	100		
D=mm	400	500	600	800	1000	400	500	600	800	1000	400	500	600	800	1000			
TSR code	531	532	533	534	535	536	537	538	539	540	557	558	559	560	561			
Weight (kg)	3	4	5	6	7	3.5	4.5	5.5	6.5	7.5	4.9	5.4	5.9	6.9	7.9			

W=mm	600	600	600	600	600	800	800	800	800	800	1000	1000	1000	1000	1000			
H=mm	100	100	100	100	100	100	100	100	100	100	100	100	100	100	100			
D=mm	400	500	600	800	1000	400	500	600	800	1000	400	500	600	800	1000			
TSR code	601	602	603	604	605	606	607	608	609	610	611	612	613	614	615			
Weight (kg)	6	6.5	7	8	9	7.1	7.6	8.1	9.1	10.1	8.2	8.7	9.2	10.2	11.2			

W=mm	1200	1200	1200	1200	1200	1400	1400	1400	1400	1400	1600	1600	1600	1600	1600	1800	2000	
H=mm	100	100	100	100	100	100	100	100	100	100	100	100	100	100	100	100	100	
D=mm	400	500	600	800	1000	400	500	600	800	1000	400	500	600	800	1000	400	400	
TSR code	616	617	618	619	620	641	642	643	644	645	646	647	648	649	650	666	667	
Weight (kg)	9.3	9.8	10.3	11.3	12.3	10.4	10.9	11.4	12.4	13.4	11.5	12	12.5	13.5	14.5	13	14	



Modular plinths H.200

W=mm	200	200	200	200	200	300	300	300	300	300	400	400	400	400	400			
H1=mm	200	200	200	200	200	200	200	200	200	200	200	200	200	200	200			
D=mm	400	500	600	800	1000	400	500	600	800	1000	400	500	600	800	1000			
TSR code	541	542	543	544	545	546	547	548	549	550	562	563	564	565	566			
Weight (kg)	5.5	7.5	9	11	12.5	6.5	8.5	10	12	13.5	8.5	9.5	10.5	12.5	14.5			

W=mm	600	600	600	600	600	800	800	800	800	800	1000	1000	1000	1000	1000			
H1=mm	200	200	200	200	200	200	200	200	200	200	200	200	200	200	200			
D=mm	400	500	600	800	1000	400	500	600	800	1000	400	500	600	800	1000			
TSR code	621	622	623	624	625	626	627	628	629	630	631	632	633	634	635			
Weight (kg)	10.5	11.5	12.5	14.5	16.5	12.5	13.5	14.5	16.5	18.5	14.5	15.5	16.5	18.5	20.5			

W=mm	1200	1200	1200	1200	1200	1400	1400	1400	1400	1400	1600	1600	1600	1600	1600	1800	2000	
H1=mm	200	200	200	200	200	200	200	200	200	200	200	200	200	200	200	200	200	
D=mm	400	500	600	800	1000	400	500	600	800	1000	400	500	600	800	1000	400	400	
TSR code	636	637	638	639	640	651	652	653	654	655	656	657	658	659	660	668	669	
Weight (kg)	16.5	17.5	18.5	20.5	22.5	18.5	19.5	20.5	22.5	24.5	20.5	21.5	22.5	24.5	26.5	23.5	25.5	

ALL DIMENSIONS IN MM (1 INCH=25.4 MM)

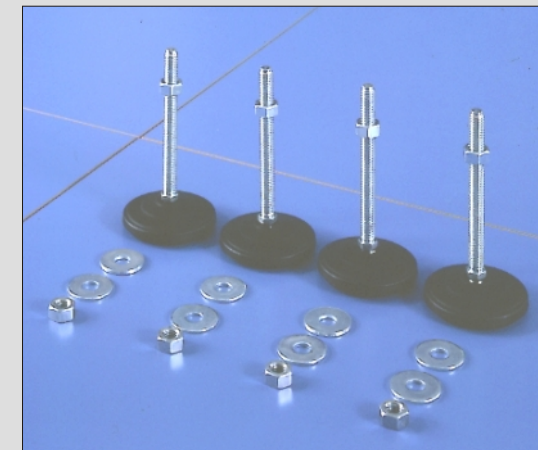


CASTERS

To be fixed to the plinth or to the cabinet. The set includes 4 casters, two of which have a break. Mounting hardware included.

Set of casters for plinths.

Code	TSR 500
Description	4 casters (2 with break & 2 without) and 4 nuts M12



LEVELING FEET

Mounted under the plinth to compensate for uneven floors. Made of steel, with thread M12. Pack: 4 pieces.

Adjustable small feet for plinth leveling

Code	TSR 670
Description	4 steel feet M12 H.125 mm.



TRANSPORT PLINTH H100 MM (4")

Made of sheet-metal, thickness 11ga, for transportation of heavy multi-bay cabinets. Minimum width is 1800 mm (71"). Each unit is made to order. Painted in textured RAL 7032.

Single plinth H.100 (dimensions to be specified)

W=mm	on request									
H=mm	100	100	100	100	100					
D=mm	400	500	600	800	1000					
TSR code	661	662	663	664	665					

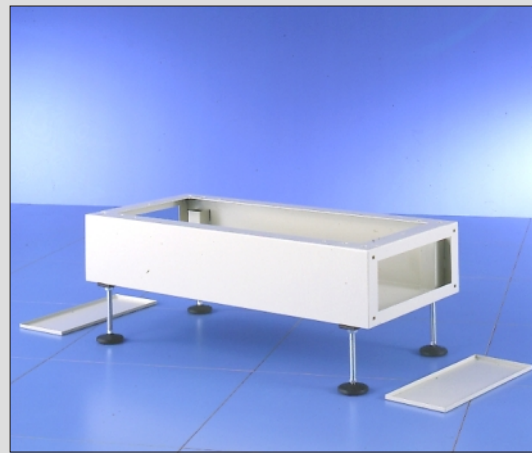
ONE-PIECE PLINTHS H200 MM (8")

Made of sheet-metal, thickness 14ga with closed bottom and openable sides for cable entry. Painted in textured RAL 7032.

W=mm	400	400	400	400	400	600	600	600	600	600
H=mm	200	200	200	200	200	200	200	200	200	200
D=mm	365	465	565	765	965	365	465	565	765	965
For cabinets W x D	400x400	400x500	400x600	400x800	400x1000	600x400	600x500	600x600	600x800	600x1000
TSR code	459	460	461	462	463	464	465	466	467	468
Weight (kg)	8.8	10.3	11.8	14.8	17.8	11.7	13.5	15.3	18.9	22.5

W=mm	800	800	800	800	800	1000	1000	1000	1000	1000
H=mm	200	200	200	200	200	200	200	200	200	200
D=mm	365	465	565	765	965	365	465	565	765	965
For cabinets W x D	800x400	800x500	800x600	800x800	800x1000	1000x400	1000x500	1000x600	1000x800	1000x1000
TSR code	469	470	471	472	473	474	475	476	477	478
Weight (kg)	14.6	16.7	18.8	23	27.2	17.5	19.9	22.3	27.1	31.9

W=mm	1200	1200	1200	1200	1200	1400	1400	1400	1400	1400
H=mm	200	200	200	200	200	200	200	200	200	200
D=mm	365	465	565	765	965	365	465	565	765	965
For cabinets W x D	1200x400	1200x500	1200x600	1200x800	1200x1000	1400x400	1400x500	1400x600	1400x800	1400x1000
TSR code	479	480	481	482	483	484	485	486	487	488
Weight (kg)	20.4	23.1	25.8	31.2	36.6	23.3	26.3	29.3	35.3	41.3



W=mm	1600	1600	1600	1600	1600					
H=mm	200	200	200	200	200					
D=mm	365	465	565	765	965					
For cabinets W x D	1600x400	1600x500	1600x600	1600x800	1600x1000					
TSR code	489	490	491	492	493					
Weight (kg)	26.2	29.5	38.8	39.4	46					

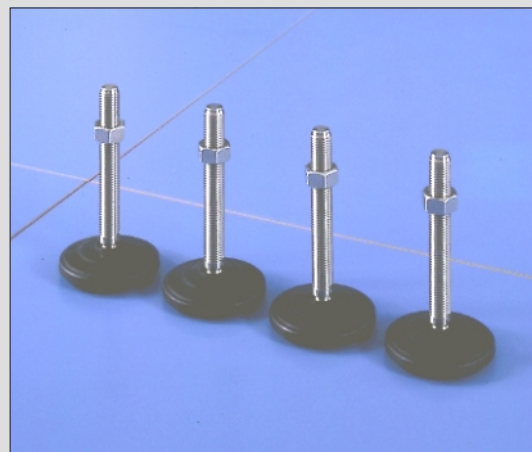
SIDE PANELS FOR ONE-PIECE PLINTH

Made of sheet-metal, thickness 14ga. Painted in textured RAL 7032.

For cabinets D	400	500	600	800	1000					
TSR code	495	496	497	498	499					

LEVELING FEET

Mounted under the plinth to compensate for uneven floors. Made of steel, with thread M12. Pack: 4 pieces.

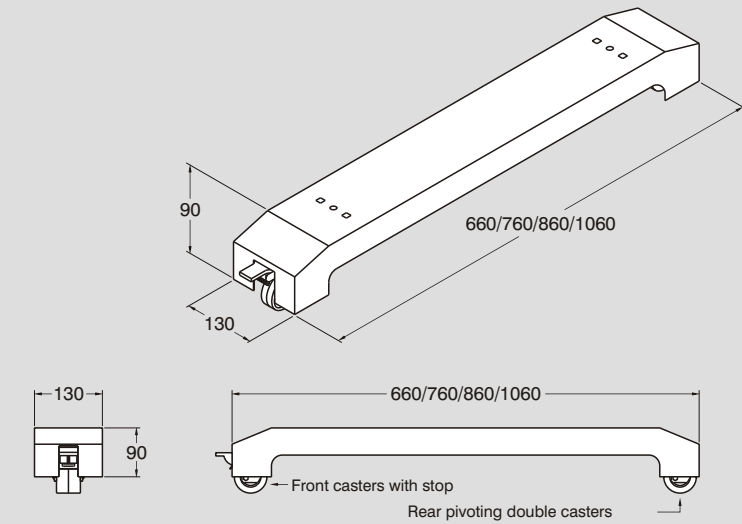


Leveling small feet

Code	DRC 671		
Description	4 steel feet M16 H150		

STABILIZERS FOR LAN CABINETS

Made of sheet-metal, thickness 16ga. To increase stability cross-member is positioned under the cabinets. Upon request, supplied with casters or leveling feet. Ordering Code: 7009 for Leveling feet M10 (4 pieces). - or 7010 for Casters (4 pieces).

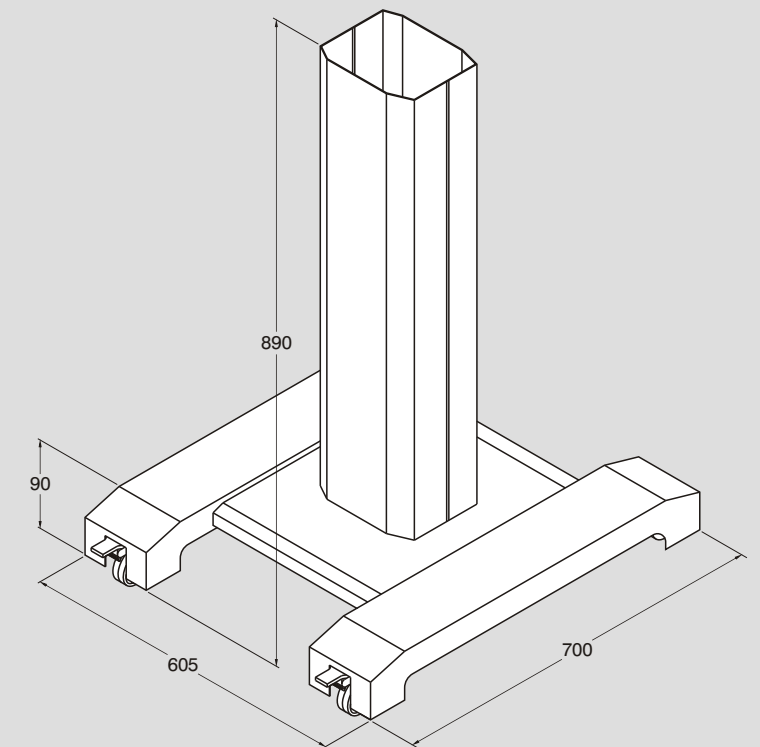
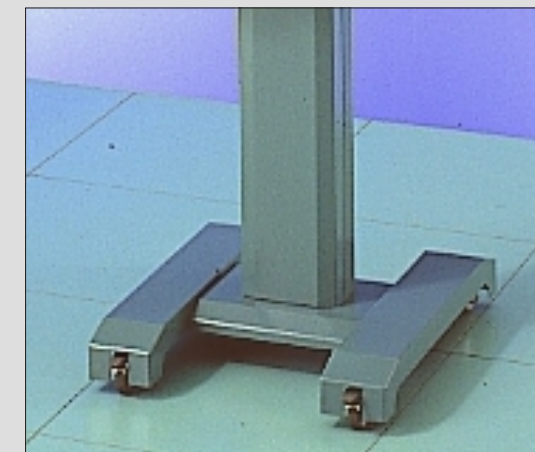


Stabilizers support for cabinets

Code	7104	7105	7005	7006
Description	Stabilizers supports 660 for cabinets D400 mm	Stabilizers supports 760 for cabinets D500 mm	Stabilizers supports 860 for cabinets D600 mm	Stabilizers supports 1060 for cabinets D800 mm

PEDESTAL FOR LAN CABINETS

Made of sheet-metal, thickness 16ga. Standard supply: base with stabilizers - four casters, two with stop. Paint: textured RAL 6033.

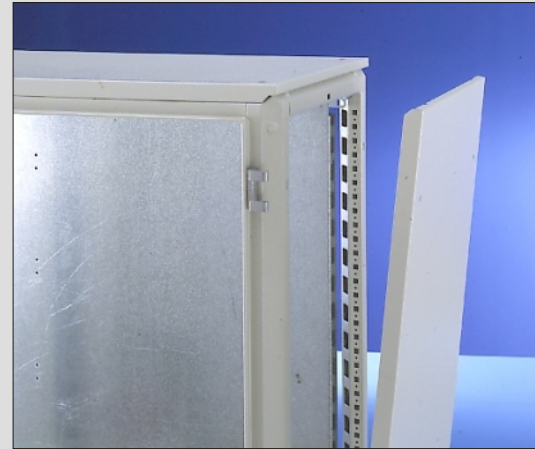


Mobile base for LAN2

Code	7080		
Description	Base with casters		
Weight (Kg)	25		

SIDE WALLS FOR TSR CABINETS

Made of sheet-metal, thickness 16ga. For closing sides of cabinets with 6 M6 screws. Paint: textured RAL 7032.



Side walls for TSR cabinets

W=mm	350	450	550	350	450	550				
H=mm	1373	1373	1373	1573	1573	1573				
For cabinets H x D	1400x400	1400x500	1400x600	1600x400	1600x500	1600x600				
TSR code	189	190	191	192	193	194				
Weight (kg)	14	17	20	16	19	22				
W=mm	350	450	550	750	950	350	450	550	750	950
H=mm	1773	1773	1773	1773	1773	1973	1973	1973	1973	1973
For cabinets H x D	1800x400	1800x500	1800x600	1800x800	1800x1000	2000x400	2000x500	2000x600	2000x800	2000x1000
TSR code	351	352	353	354	355	356	357	358	359	360
Weight (kg)	17.5	22	26	31	35	19	24	30	34	38
W=mm	350	450	550	750	950					
H=mm	2173	2173	2173	2173	2173					
For cabinets H x D	2200x400	2200x500	2200x600	2200x800	2200x1000					
TSR code	361	362	363	364	365					
Weight (kg)	21	26	32	37	43					

SINGLE SIDE WALL FOR TSR CABINETS

Made of sheet-metal, thickness 16ga. Spare side wall. Paint: textured RAL 7032.

Single side wall for TSR cabinets

W=mm	350	450	550	350	450	550	350	450	550	750
H=mm	1373	1373	1373	1573	1573	1573	1773	1773	1773	1773
For cabinets H x D	1400x400	1400x500	1400x600	1600x400	1600x500	1600x600	1800x400	1800x500	1800x600	1800x800
TSR code	195	196	197	198	199	200	366	367	368	369
Weight (kg)	7	8	10	8	10	11	8.7	11	13	17.5
W=mm	350	450	550	750	350	450	550	750		
H=mm	1973	1973	1973	1973	2173	2173	2173	2173		
For cabinets H x D	2000x400	2000x500	2000x600	2000x800	2200x400	2200x500	2200x600	2200x800		
TSR code	370	371	372	373	374	375	376	377		
Weight (kg)	9.5	12	15	19	11	13	16	21		

FRONT SOLID DOOR WITH 180° OPENING FOR TSR - TFR CABINETS

Made of sheet-metal, thickness 15ga, with die-cast hinges, standard locking bar system and double cam key. Paint: textured RAL 7032.



Front solid door with opening at 180° for TSR - TFR cabinets.

W=mm	580	780	2x580	380	580	780	980	2x580
H=mm	1390	1390	1390	1590	1590	1590	1590	1590
For cabinets H x W	1400x600	1400x800	1400x1200	1600x400	1600x600	1600x800	1600x1000	1600x1200
TSR code	840	841	842	843	844	845	846	847
W=mm	380	580	780	980	2x580	2x680	2x780	
H=mm	1790	1790	1790	1790	1790	1790	1790	
For cabinets H x W	1800x400	1800x600	1800x800	1800x1000	1800x1200	1800x1400	1800x1600	
TSR code	848	849	850	851	852	853	854	
W=mm	380	580	780	980	2x580	2x680	2x780	
H=mm	1990	1990	1990	1990	1990	1990	1990	
For cabinets H x W	2000x400	2000x600	2000x800	2000x1000	2000x1200	2000x1400	2000x1600	
TSR code	855	856	857	858	859	860	861	
W=mm	380	580	780	980	2x580	2x680	2x780	
H=mm	2190	2190	2190	2190	2190	2190	2190	
For cabinets H x W	2200x400	2200x600	2200x800	2200x1000	2200x1200	2200x1400	2200x1600	
TSR code	862	863	864	865	866	867	868	

SOLID DOORS FOR TSR - TFR Made of sheet-metal, thickness 15ga, with die-cast hinges, standard locking bar system and double cam key. Paint: textured RAL 7032.



Solid doors for TSR-TFR cabinets H1400/1600

W=mm	590	790	2x590	390	590	790	990	2x590
H=mm	1390	1390	1390	1590	1590	1590	1590	1590
For Cabinets H x W	1400x600	1400x800	1400x1200	1600x400	1600x600	1600x800	1600x1000	1600x1200
TFR code	801	802	806	808	803	804	805	807
Weight (kg)	20	26	37	21	21	27	32	39

Solid doors for TSR-TFR cabinets H1800

W=mm	190	390	590	790	990	2x590	2x690	2x790
H=mm	1790	1790	1790	1790	1790	1790	1790	1790
For Cabinets H x W	1800x200	1800x400	1800x600	1800x800	1800x1000	1800x1200	1800x1400	1800x1600
TSR code	788	798	801	802	803	804	809	810
Weight (kg)	9	15	22	28	35	43	49	55

Solid doors for TSR-TFR cabinets H2000

W=mm	190	390	590	790	990	2x590	2x690	2x790
H=mm	1990	1990	1990	1990	1990	1990	1990	1990
For Cabinets H x W	2000x200	2000x400	2000x600	2000x800	2000x1000	2000x1200	2000x1400	2000x1600
TSR code	789	799	805	806	807	808	809/2	810/2
Weight (kg)	11	16	23	29	37	45	52	58

Solid doors for TSR cabinets H2200

W=mm	190	390	590	790	990	2x590	2x690	2x790
H=mm	2190	2190	2190	2190	2190	2190	2190	2190
For Cabinets H x W	2200x200	2200x400	2200x600	2200x800	2200x1000	2200x1200	2200x1400	2200x1600
TSR code	790	800	810/3	810/4	810/5	810/6	810/7	810/8
Weight (kg)	13	17	24	30	39	47	55	61

PVC DOORS FOR TSR/P - TFR/P

Made of sheet-metal, thickness 15ga, with PVC window, complete with die-cast hinges and standard locking bar system and double cam key. Paint: textured RAL 7032.



Transparent doors for TSR/P-TFR/P cabinets H1400/1600

W=mm	590	790	2x590	390	590	790	990	2x590
H=mm	1390	1390	1390	1590	1590	1590	1590	1590
For Cabinets H x W	1400x600	1400x800	1400x1200	1600x400	1600x600	1600x800	1600x1000	1600x1200
TFR/P code	801P	802P	806P	803P	804P	805P	807P	
Weight (kg)	16	21	28	17	21	26	32	

Transparent doors for TSR/P-TFR/P cabinets H1800

W=mm	590	790	990	2x590	2x690	2x790	
H=mm	1790	1790	1790	1790	1790	1790	
For Cabinets H x W	1800x600	1800x800	1800x1000	1800x1200	1800x1400	1800x1600	
TSR/P code	801P	802P	803P	804P	809P	810P	
Weight (kg)	17	22	27	34	38	42	

Transparent doors for TSR/P-TFR/P cabinets H2000

W=mm	590	790	990	2x590	2x690	2x790	
H=mm	1990	1990	1990	1990	1990	1990	
For Cabinets H x W	2000x600	2000x800	2000x1000	2000x1200	2000x1400	2000x1600	
TSR/P code	805P	806P	807P	808P	809/2P	810/2P	
Weight (kg)	18	24	29	36	40	45	

Transparent doors for TSR/P cabinets H2200

W=mm	590	790	990	2x590	2x690	2x790	
H=mm	2190	2190	2190	2190	2190	2190	
For Cabinets H x W	2200x600	2200x800	2200x1000	2200x1200	2200x1400	2200x1600	
TSR/P code	810/3P	810/4P	810/5P	810/6P	810/7P	810/8P	
Weight (kg)	19	26	31	38	42	48	

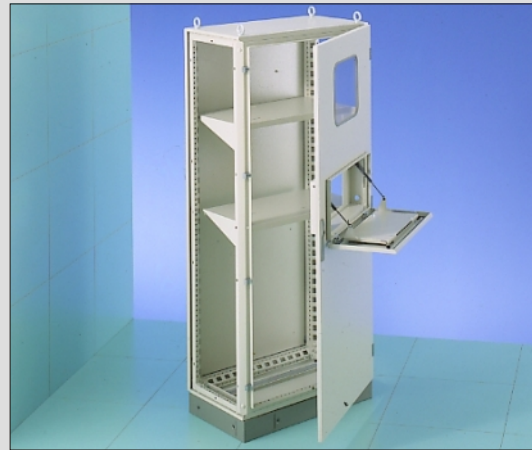


DOOR WITH CONSOLE FOR TSR - TFR

Made of sheet-metal, thickness 15ga, to be added to front door. (The console is supplied as a separate accessory). Paint: textured RAL 7032.

Door with push button panel for TSR - TFR cabinets

W=mm	600	800	1000	600	800	1000	600	800	1000
H=mm	1800	1800	1800	2000	2000	2000	2200	2200	2200
TSR code	511	512	513	514	515	516	517	518	519
Weight (kg)	29	37	45,5	30	40	55	31	39	50



DOOR WITH KEY BOARD SHELF FOR TSR - TFR

Made of sheet-metal, thickness 15ga, for Computer installations where a monitor and key board are needed. The supply includes: Central door with Monitor window and keyboard shelf and 2 additional horizontal shelves. Paint: textured RAL 7032.

Door with keyboard support TSR - TFR cabinets

W=mm	790	990	790	990	790	990			
H=mm	1790	1790	1990	1990	2190	2190			
TSR code	551	552	553	554	555	556			
Weight (kg)	46	56	47	58	48	60			



INTERNAL DOORS-DEADFRONTS

Made of sheet-metal, thickness 16ga. Deadfront complete with hinges, mounted 70mm from the external door. Paint: textured RAL 7032. For cabinets 1200/1400/1600mm wide, the internal doors will be supplied in two parts, same as the external door.

Internal doors H1260/1460

W=mm	470	670	2x530	470	670	870	2x530		
H=mm	1260	1260	1260	1460	1460	1460	1460		
For Cabinets H x W	1400x600	1400x800	1400x1200	1600x600	1600x800	1600x1000	1600x1200		
TFR code	381	382	386	383	384	385	387		
Weight (kg)	10	13,4	20	11,5	15,4	19,2	22		

Internal doors H1660

W=mm	470	670	870	2x530	2x630	2x730			
H=mm	1660	1660	1660	1660	1660	1660			
For Cabinets H x W	1800x600	1800x800	1800x1000	1800x1200	1800x1400	1800x1600			
TSR code	381	382	383	384	384/1	384/2			
Weight (kg)	13	17	22	25	29	32			

Internal doors H1860

W=mm	470	670	870	2x530	2x630	2x730			
H=mm	1860	1860	1860	1860	1860	1860			
For Cabinets H x W	2000x600	2000x800	2000x1000	2000x1200	2000x1400	2000x1600			
TSR code	385	386	387	388	388/1	388/2			
Weight (kg)	14	19	24	28	32	36			

Internal doors H2060

W=mm	470	670	870	2x530	2x630	2x730			
H=mm	2060	2060	2060	2060	2060	2060			
For Cabinets H x W	2200x600	2200x800	2200x1000	2200x1200	2200x1400	2200x1600			
TSR code	389	390	391	392	393	394			
Weight (kg)	16	21	26	30	36	40			

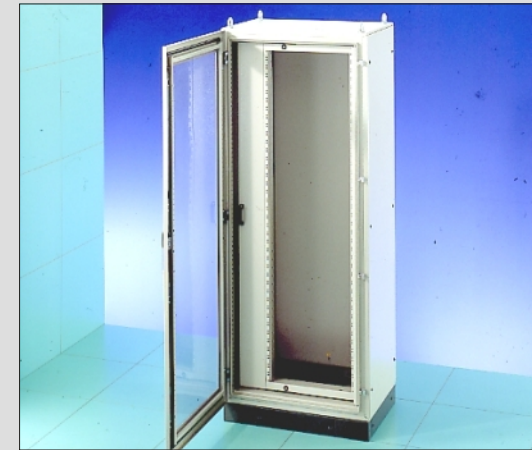


FRONT FRAME FOR 19" RACK SYSTEM

Front frame for 19" Rack system.

Front frame for 19" rack system

No. HE	36	40	45						
For Cabinets H.mm	1800	2000	2200						
TSR code	398	399	400						
Weight (kg)	13,6	15,5	17,4						

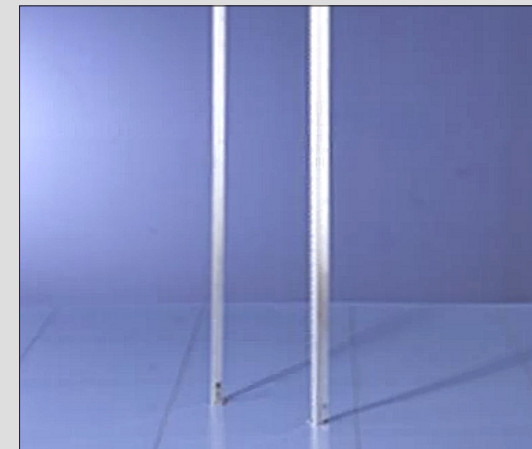


19" SWING RACK FOR TSR - TFR

Made of sheet-metal, thickness 16ga. 19" RACK for electronic components and 19" plate. Easy accessibility to all components thanks to 180° rotation of the frame. To be mounted only on cabinets 800 and 1000mm wide. Paint: textured RAL 7032.

19" swing frame with support for TSR - TFR cabinets

W=mm	670	870	670	870	670	870			
H=mm	1685	1685	1885	1885	2085	2085			
No Units HE	35	35	40	40	44	44			
For Cabinets H x W	1800x800	1800x1000	2000x800	2000x1000	2200x800	2200x1000			
TSR code	401	402	403	404	405	406			
Weight (kg)	28	33	38	34	39	44			

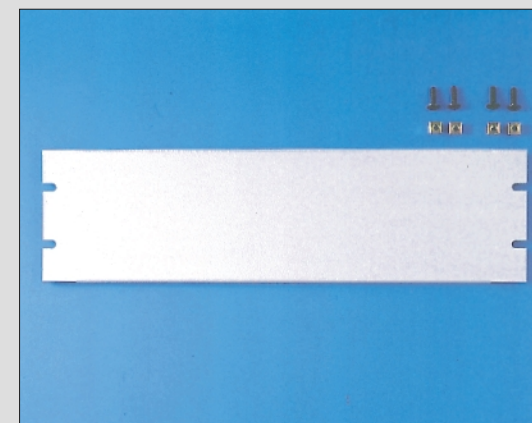


19" UPRIGHTS FOR TSR - TFR

Made of zinc-plated sheet-metal (Sendzimir), thickness 16ga. Set of uprights for 600mm wide cabinets. For mounting of 19" Rack components.

19" uprights for TSR - TFR cabinets

H=mm	1100	1300	1500	1700	1900	2100			
No. Units HE	24	29	33	38	42	47			
TSR code	411	412	413	414	415	416			
Weight (kg)	2,5	3	3,4	3,9	4,5	5			



19" FRONT PANELS

Made of sheet-metal, thickness 16ga. To be mounted on the 19" Rack uprights. Paint: textured RAL 7032.

19" front panels

H=mm	43,9	88,3	133	177	222	266	311	355	398	444	533	622	711	889	1066
No. Cabinets HE	1	2	3	4	5	6	7	8	9	10	12	14	16	20	24
TSR code	6551	6552	6553	6554	6555	6556	6557	6558	6559	6560	6561	6562	6563	6564	6565
Weight (kg)	0,5	0,7	0,9	1,1	1,4	1,6	1,8	2	2,3	2,6	3	3,4	3,9	4,9	5,9

MOUNTING PLATES FOR TSR - TFR

Made of zinc-plated sheet-metal (Sendzimir), thickness 12ga, complete with nylon rollers for easy installation inside each cabinet.

Internal mounting plates for TSR-TFR cabinets

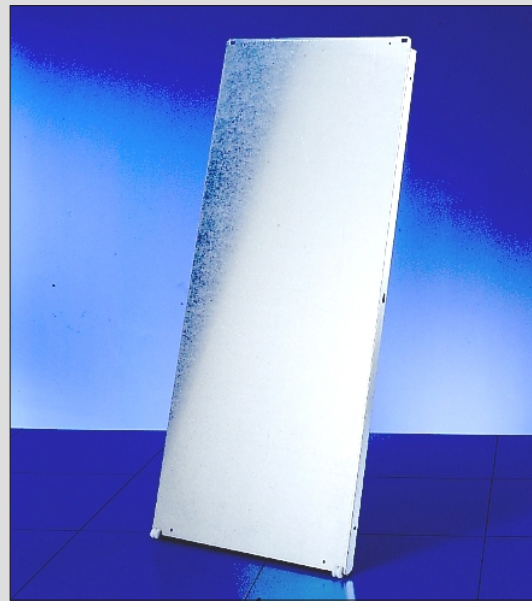
W=mm	500	700	1100	300	500	700	900	1100
H=mm	1300	1300	1300	1500	1500	1500	1500	1500
For cabinets W x H	600x1400	800x1400	1200x1400	400x1600	600x1600	800x1600	1000x1600	1200x1600
TSR code	101	102	106	108	103	104	105	107
Weight (kg)	13	17	23	13	15	19	22	26

Internal mounting plates for TSR-TFR cabinets

W=mm	300	500	700	900	1100	2x650	2x750
H=mm	1700	1700	1700	1700	1700	1700	1700
For cabinets W x H	400x1800	600x1800	800x1800	1000x1800	1200x1800	1400x1800	1600x1800
TSR code	100	101	102	103	104	109	110
Weight (kg)	10	16	28	35	42	49	56

W=mm	300	500	700	900	1100	2x650	2x750
H=mm	1900	1900	1900	1900	1900	1900	1900
For cabinets W x H	400x2000	600x2000	800x2000	1000x2000	1200x2000	1400x2000	1600x2000
TSR code	119	105	106	107	108	111	112
Weight (kg)	11	18	31	39	47	55	63

W=mm	300	500	700	900	1100	2x650	2x750
H=mm	2100	2100	2100	2100	2100	2100	2100
For cabinets W x H	400x2200	600x2200	800x2200	1000x2200	1200x2200	1400x2200	1600x2200
TSR code	120	113	114	115	116	117	118
Weight (kg)	12	20	34	43	52	61	70



INTERMEDIATE PLATES FOR TSR

Made of zinc-plated sheet-metal (Sendzimir), thickness 12ga, to be used to join internal plates in multi-bay systems.

Intermediate plates for TSR cabinets

W=mm	100	100	100	100	100		
H=mm	1285	1485	1685	1885	2085		
For cabinets H mm	1400	1600	1800	2000	2200		
TSR code	124	125	121	122	123		
Weight (kg)	4.5	5.5	6.8	7.6	8.4		



MOUNTING PLATES - LATERAL INSERTION

Made of zinc-plated sheet-metal (Sendzimir), thickness 12ga, complete with mounting hardware.

Internal mounting plates (to be inserted laterally) TSR cabinets

W=mm	600	800	1200	600	800	1000	1200
H=mm	1300	1300	1300	1500	1500	1500	1500
For cabinets W x H	600x1400	800x1400	1200x1400	600x1600	800x1600	1000x1600	1200x1600
TSR code	235	236	237	238	239	240	241
Weight (kg)	20	25	30	22	28	35	41

W=mm	600	800	1000	1200	2x700	2x800
H=mm	1700	1700	1700	1700	1700	1700
For cabinets W x H	600x1800	800x1800	1000x1800	1200x1800	1400x1800	1600x1800
TSR code	217	218	219	220	221	222
Weight (kg)	25	32	39	46	54	62

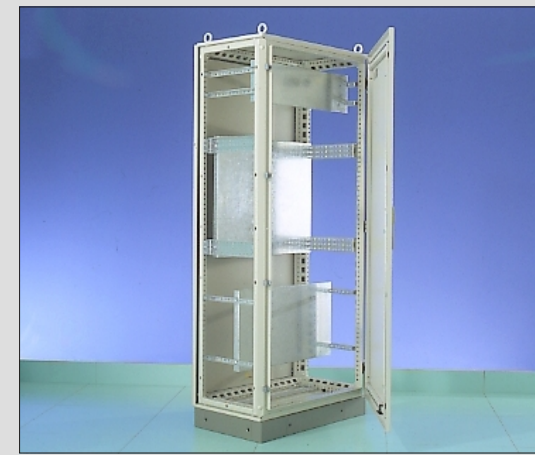
W=mm	600	800	1000	1200	2x700	2x800
H=mm	1900	1900	1900	1900	1900	1900
For cabinets W x H	600x2000	800x2000	1000x2000	1200x2000	1400x2000	1600x2000
TSR code	223	224	225	226	227	228
Weight (kg)	28	35	43	51	60	69

W=mm	600	800	1000	1200	2x700	2x800
H=mm	2100	2100	2100	2100	2100	2100
For cabinets W x H	600x2200	800x2200	1000x2200	1200x2200	1400x2200	1600x2200
TSR code	229	230	231	232	233	234
Weight (kg)	31	38	47	56	66	76



PARTIAL INTERNAL PLATE

Made of zinc-plated sheet-metal (Sendzimir), thickness 12ga, for mounting components at various depths. They can be ordered with four support bars.



Internal mounting plates (partial)

W=mm	498	498	498	498	698	698	698	698	898	898	898	898	1098	1098	1098	1098
H=mm	200	300	400	500	200	300	400	500	200	300	400	500	200	300	400	500
For cabinets W	600	600	600	600	800	800	800	800	1000	1000	1000	1000	1200	1200	1200	1200
TSR code	201	202	203	204	205	206	207	208	209	210	211	212	213	214	215	216
Weight (kg)	2.3	3.2	4.1	5	3.2	4.1	5	5.9	4	4.9	5.8	6.7	4.8	5.7	6.6	7.5

FIXED SHELF

Made of zinc-plated sheet-metal (Sendzimir), thickness 12ga. Fixed shelf, height adjustable, to be used only without the internal subplate.



Horizontal dividing elements TSR cabinets (without plate)

W=mm	600	600	600	600	600	800	800	800	800	800
D=mm	340	440	540	740	940	340	440	540	740	940
For cabinets W x D	600x400	600x500	600x600	600x800	600x1000	800x400	800x500	800x600	800x800	800x1000
TSR code	301	302	303	304	305	306	307	308	309	310
Weight (kg)	2.8	3.5	4.2	5.3	6.7	3.2	4.2	5.2	7	9

W=mm	1000	1000	1000	1000	1000	1200	1200	1200	1200	1200
D=mm	340	440	540	740	940	340	440	540	740	940
For cabinets W x D	1000x400	1000x500	1000x600	1000x800	1000x1000	1200x400	1200x500	1200x600	1200x800	1200x1000
TSR code	311	312	313	314	315	316	317	318	319	320
Weight (kg)	4.1	5.3	6.4	8.8	11	5.9	6.3	7.7	10.5	13.3

FIXED SHELF (with subplate)

Made of zinc-plated sheet-metal (Sendzimir), thickness 12ga. Fixed shelf, height adjustable, to be used only when the internal subplate is already mounted.



Horizontal dividing elements TSR cabinets (with plate)

W=mm	600	600	600	600	600	800	800	800	800	800
D=mm	300	400	500	700	900	300	400	500	700	900
For cabinets W x D	600x400	600x500	600x600	600x800	600x1000	800x400	800x500	800x600	800x800	800x1000
TSR code	321	322	323	324	325	326	327	328	329	330
Weight (kg)	2.8	3.5	4.2	5.3	6.7	3.2	4.2	5.2	7	9

W=mm	1000	1000	1000	1000	1000	1200	1200	1200	1200	1200
D=mm	300	400	500	700	900	300	400	500	700	900
For cabinets W x D	1000x400	1000x500	1000x600	1000x800	1000x1000	1200x400	1200x500	1200x600	1200x800	1200x1000
TSR code	331	332	333	334	335	336	337	338	339	340
Weight (kg)	4.1	5.3	6.4	8.8	11	5.9	6.3	7.7	10.5	13.3

PULL-DOWN SHELF

Mounted on the inside of door. Used to store prints etc. Paint: textured RAL 7032.



Work-shelves

Code	DRC 777	DRC 778
Description	For doors cabinets width 600 mm	For doors cabinets width 800 mm



VERTICAL DIVIDER PANEL FOR TSR

Made of sheet-metal, thickness 16ga, provides a vertical partition to two cabinets adjoined together.

Vertical solid dividing element between two cabinets

W=mm	250	350	450	250	350	450				
H=mm	1300	1300	1300	1500	1500	1500				
For cabinets H x W	1400x400	1400x500	1400x600	1600x400	1600x500	1600x600				
TSR code	829	830	831	832	833	834				
Weight (kg)	4	4.5	5	4.5	5	6				

W=mm	250	350	450	650	850	250	350	450	650	850
H=mm	1700	1700	1700	1700	1700	1900	1900	1900	1900	1900
For cabinets H x W	1800x400	1800x500	1800x600	1800x800	1800x1000	2000x400	2000x500	2000x600	2000x800	2000x1000
TSR code	681	682	683	684	685	686	687	688	689	690
Weight (kg)	5	5.5	6	7	8	5.5	6	6.5	7.5	8.5

W=mm	250	350	450	650	850					
H=mm	2100	2100	2100	2100	2100					
For cabinets H x W	2200x400	2200x500	2200x600	2200x800	2200x1000					
TSR code	691	692	693	694	695					
Weight (kg)	6	6.5	7	8	9					

CONNECTOR PLATE

Made of zinc-plated sheet-metal (Sendzimir), thickness 12ga. Pre drilled for 24 pole connectors.



Vertical drilled dividing element between two cabinets

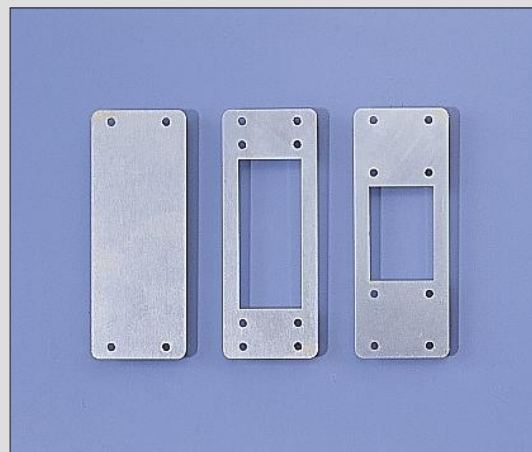
W=mm	250	350	450	250	350	450				
H=mm	1300	1300	1300	1500	1500	1500				
For cabinets H x W	1400x400	1400x500	1400x600	1600x400	1600x500	1600x600				
TSR code	829/c	830/c	831/c	832/c	833/c	834/c				
Weight (kg)	4	4.5	5	4.5	5	6				

W=mm	250	350	450	650	850	250	350	450	650	850
H=mm	1700	1700	1700	1700	1700	1900	1900	1900	1900	1900
For cabinets H x W	1800x400	1800x500	1800x600	1800x800	1800x1000	2000x400	2000x500	2000x600	2000x800	2000x1000
TSR code	681/c	682/c	683/c	684/c	685/c	686/c	687/c	688/c	689/c	690/c
Weight (kg)	5	5.5	6	7	8	5.5	6	6.5	7.5	8.5

W=mm	250	350	450	650	850					
H=mm	2100	2100	2100	2100	2100					
For cabinets H x W	2200x400	2200x500	2200x600	2200x800	2200x1000					
TSR code	691/c	692/c	693/c	694/c	695/c					
Weight (kg)	6	6.5	7	8	9					

ADAPTOR CONNECTOR PLATES

Made of zinc-plated sheet-metal (Sendzimir), thickness 12ga. Plates for various connector types or for closing cut-outs.



Adapters plates for connectors

Code	TSR 696	TSR 697	TSR 698
Description	24-pole closure solid plate	24/16-pole reduction plate	24/10-pole reduction plate

PULL-OUT SHELVES

Made of sheet-metal, thickness 16ga, complete with telescopic rails fixed on the vertical uprights. Paint: textured RAL 7035.



Shelf

W=mm	475	475	475	475	675	675
D=mm	250	350	450	650	250	350
For cabinets W x D	600x400	600x500	600x600	600x800	800x400	800x500
TSR code	285	286	287	288	289	290

W=mm	675	675	875	875	875	875
D=mm	450	650	250	350	450	650
For cabinets W x D	800x600	800x800	1000x400	1000x500	1000x600	1000x800
TSR code	291	292	293	294	295	296

PRINTER TROLLEY

Used inside the LAN cabinets to house printer and paper.

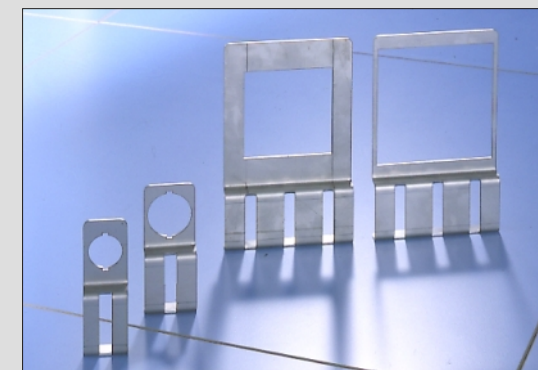


Printer trolley

Code	ST1
Description	Extractable printer trolley

BRACKETS FOR WIRE DUCTS

Made of sheet-metal, thickness 16ga, brackets to be mounted behind pushbuttons, meters etc. to support wire ducts.



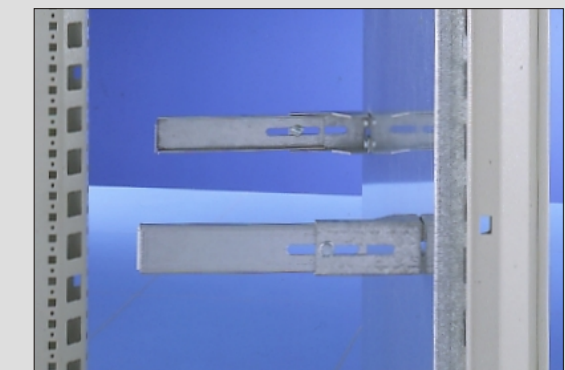
Instruments supports

Code	SC 22	SC 30
Description	Duct holder bracket on button diam. 22	Duct holder bracket on button diam. 30

Code	SC 72	SC 96
Description	Duct holder bracket on instrument 72x72	Duct holder bracket on instrument 96x96

ADJUSTABLE SUPPORT BRACKETS

Made of sheet-metal, thickness 16ga, to be mounted on subplate.

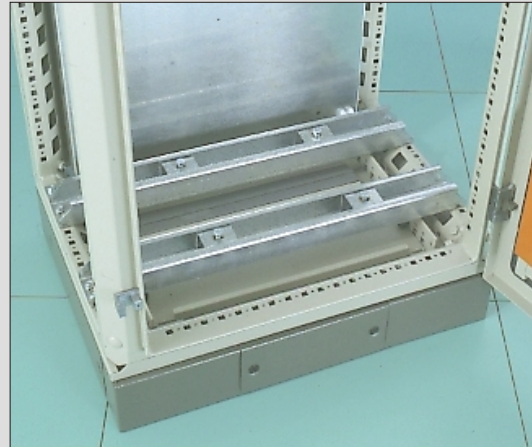


Adjustable internal supports

TSR code	96	97	98
For cabinets Depth	400	500	600

TRANSFORMERS SUPPORTS

Made of sheet-metal, thickness 14ga. Used as support for transformers inside bottom of cabinet.

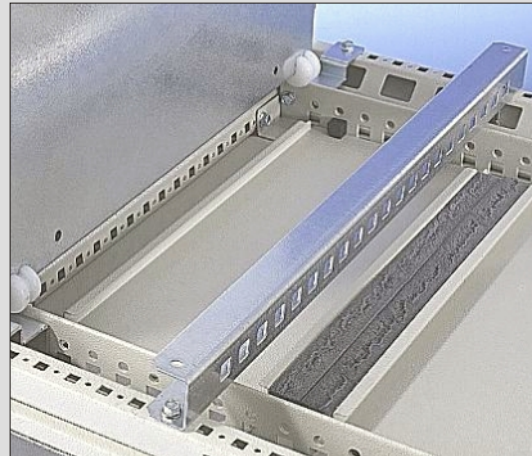


Transformers supports

W=mm	600	800	1000	1200
No. of pieces	2	2	2	2
Code	TSR 901	TSR 902	TSR 903	TSR 904

SUPPORT BAR FOR CABLES

Made of zinc-plated sheet-metal, thickness 14ga. Used to reduce traction while running cables inside cabinet.

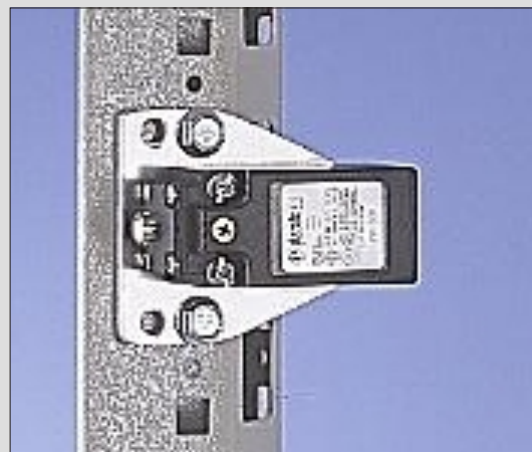


Cables support bar

Code	TSR 704	TSR 705
Description	Cables support bar H 40 mm for cabinets W 400	Cables support bar H 40 mm for cabinets W 600
Code	TSR 706	TSR 707
Description	Cables support bar H 40 mm for cabinets W 800	Cables support bar H 40 mm for cabinets W 1000
Code	TSR 708	TSR 709
Description	Cables support bar H 40 mm for cabinets W 1200	Cables support bar H 40 mm for cabinets W 1400
Code	TSR 710	
Description	SCables support bar H 40 mm for cabinets W 1600	

DOOR SWITCH

Used for switching various components on or off, upon opening of door. Mounting hardware included.

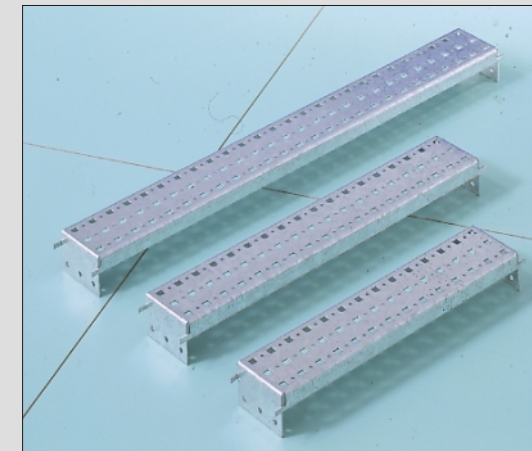
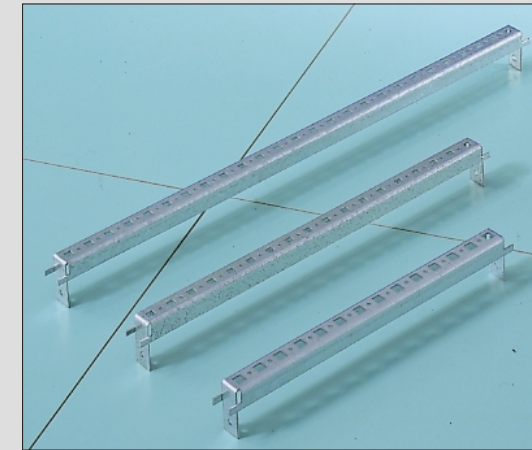


Switch for doors

Code	VR0501
Description	Switch for doors

SYSTEM BARS 25-50-75MM FOR TSR CABINETS

Made of sheet-metal, thickness 16ga, with various dimensions. To be mounted vertically or horizontally inside TSR cabinets. Pre-drilled with a 25mm (1") pitch.



Code	Description	Code	Description
TSR 721	Side cross bar H25xW250 for cabinets D400	TSR 726	Front cross bar H25xW500 for cabinets W600
TSR 722	Side cross bar H25xW350 for cabinets D500	TSR 727	Front cross bar H25xW700 for cabinets W800
TSR 723	Side cross bar H25xW450 for cabinets D600	TSR 728	Front cross bar H25xW900 for cabinets W1000
TSR 724	Side cross bar H25xW650 for cabinets D800	TSR 729	Front cross bar H25xW1100 for cabinets W1200
TSR 725	Side cross bar H25xW850 for cabinets D1000		

TSR 752	Side cross bar H50xW250 for cabinets D400	TSR 757	Front cross bar H50xW500 for cabinets W600
TSR 753	Side cross bar H50xW350 for cabinets D500	TSR 758	Front cross bar H50xW700 for cabinets W800
TSR 754	Side cross bar H50xW450 for cabinets D600	TSR 759	Front cross bar H50xW900 for cabinets W1000
TSR 755	Side cross bar H50xW650 for cabinets D800	TSR 760	Front cross bar H50xW1100 for cabinets W1200
TSR 756	Side cross bar H50xW850 for cabinets D1000		

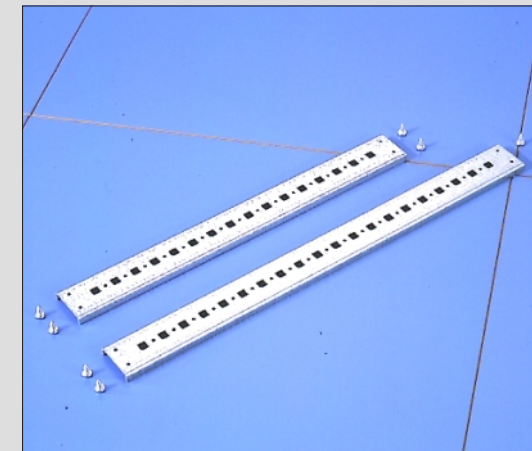
TSR 761	Pre-drilled vertical cross bar H50xW1700xD50
TSR 762	Pre-drilled vertical cross bar H50xW1900xD50
TSR 763	Pre-drilled vertical cross bar H50xW2100xD50

TSR 741	Side cross bar H75xW250 for cabinets D400	TSR 746	Front cross bar H75xW500 for cabinets W600
TSR 742	Side cross bar H75xW350 for cabinets D500	TSR 747	Front cross bar H75xW700 for cabinets W800
TSR 743	Side cross bar H75xW450 for cabinets D600	TSR 748	Front cross bar H75xW900 for cabinets W1000
TSR 744	Side cross bar H75xW650 for cabinets D800	TSR 749	Front cross bar H75xW1100 for cabinets W1200
TSR 745	Side cross bar H75xW850 for cabinets D1000		

TSR 750	Pre-drilled vertical cross bar H75xW1700xD50
TSR 751	Pre-drilled vertical cross bar H75xW1900xD50
TSR 764	Pre-drilled vertical cross bar H75xW2100xD50

SYSTEM BARS FOR TFR CABINETS

Made of sheet-metal, thickness 16ga, with various dimensions. To be mounted only horizontally inside TFR cabinets. Pre-drilled with a 25mm (1") pitch.



Code	Description
TFR 44	Side cross bar W345 x H49 for cabinets D400
TFR 45	Side cross bar W445 x H49 for cabinets D500

SYSTEM BARS FOR DOORS

Made of sheet-metal, thickness 16ga. Pre-drilled with a 25mm (1") pitch. Used as door stiffener or for mounting various components. Paint: textured RAL 7032.



Code	Description
TSR 771	Cross bar for door inside W458 for cabinets W600
TSR 772	Cross bar for door inside W658 for cabinets W800
TSR 773	Cross bar for door inside W858 for cabinets W1000

ALL DIMENSIONS IN MM (1 INCH=25.4 MM)

LIFTING EYEBOLTS

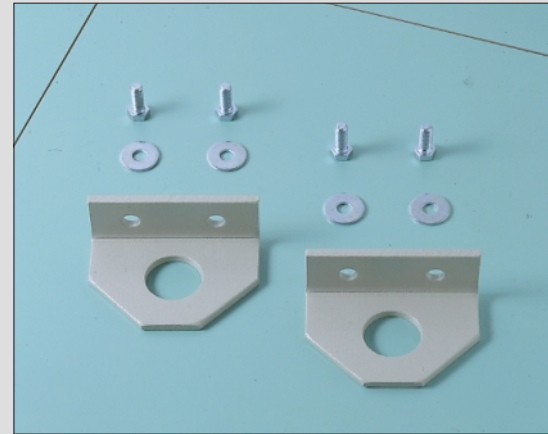
Made of zinc passivated steel M12, to be screwed in on the cabinet structure.
Pack: 4 pcs.



Code	Description
88427	Lifting eyebolt M12

CRANE LIFTING EYEBOLTS

Made of sheet-metal, thickness 8mm, for crane transportation of enclosures.
Paint: RAL 7032. Supply: 1 double eyebolt, 2 bolts 12x30 and 2 washers 12x36mm.



Code	Description
TSR 910/B	Double lifting eyebolt

LIFTING BARS

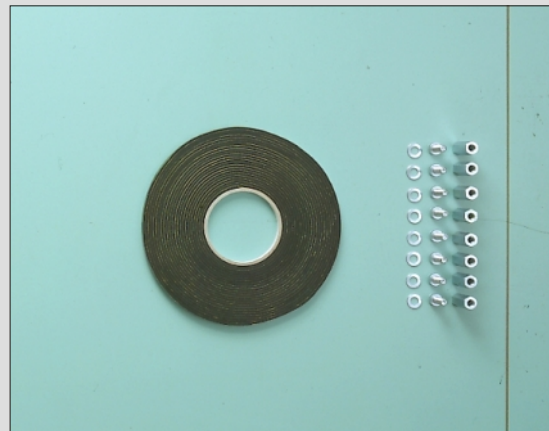
Heavy duty angle bars used for lifting of multi-bay cabinets. 2 pieces, dimensions to be specified upon order.
Paint: textured RAL 7032.



Code	Description
TSR 99	Pair of lifting cross bars (width to be specified)

JOINING KIT FOR TSR CABINETS

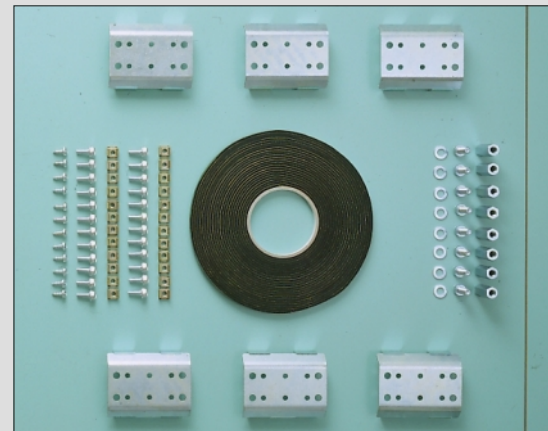
Accessories for joining enclosures together. Standard supply: 8 pcs. hexagonal head screws diam. 8mm with washers, 8 pcs. hexagonal bolts 8mm with washers. - Adhesive rubber gasket.



Code	Description
TSR 938	Joining set for TSR cabinets

JOINING AND REINFORCING KIT FOR TSR CABINETS

Used to strengthen enclosures coupling. Mounting hardware included.

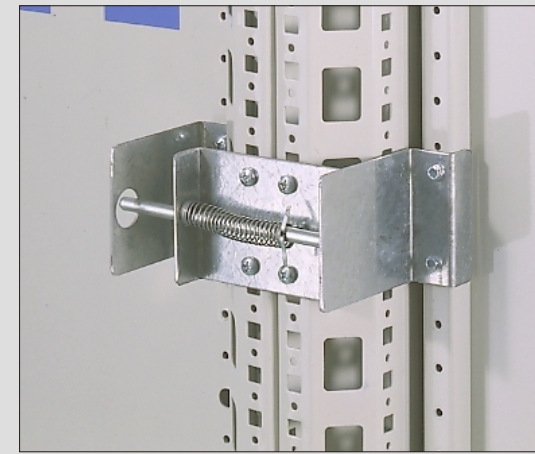


Code	Description
TSR 939	Joining set for TSR cabinets

ALL DIMENSIONS IN MM (1 INCH=25.4 MM)

MECHANICAL INTERLOCK

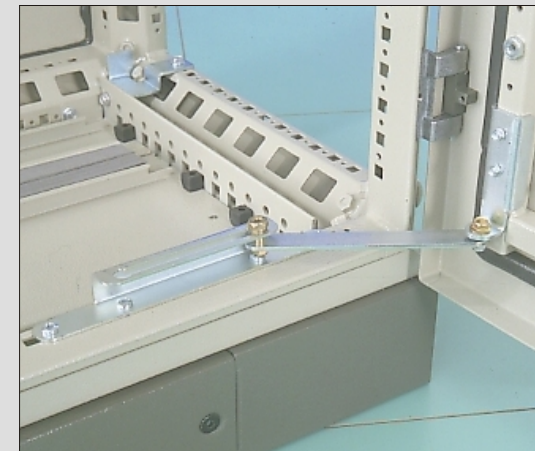
Made of sheet-metal, thickness 14ga. It allows the mechanical interlocking of the doors of 2 adjoined TSR cabinets.



Code	Description
TSR 931	Mechanical interlock for doors of TSR cabinets

DOOR STOP

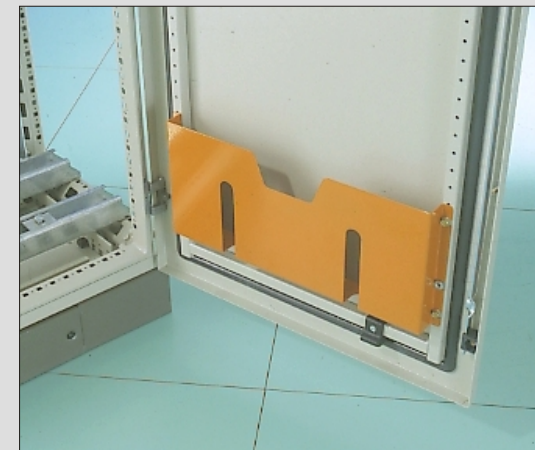
Made of sheet-metal, thickness 14ga. Used to block door at 90° and prevent accidental closing.



Code	Description
TSR 927	Door stop

METAL PRINT POCKET

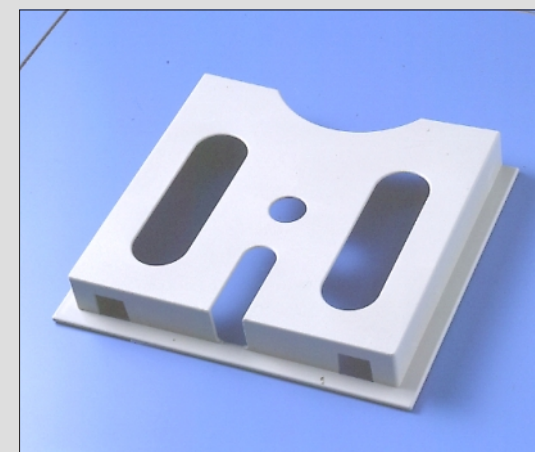
Made of sheet-metal, thickness. 16ga, to be mounted on the insided of doors. Paint: RAL 2004.



Code	Description
TSR 781	Metal document pocket W.428 mm for cabinets D.600
TSR 782	Metal document pocket W.628 mm for cabinets D.800
TSR 783	Metal document pocket W.828 mm for cabinets D.1000
TSR 784	Metal document pocket W.528 mm for cabinets D.700

PLASTIC PRINT POCKET

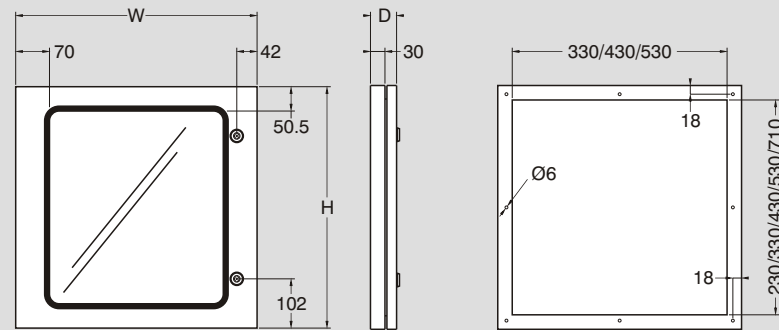
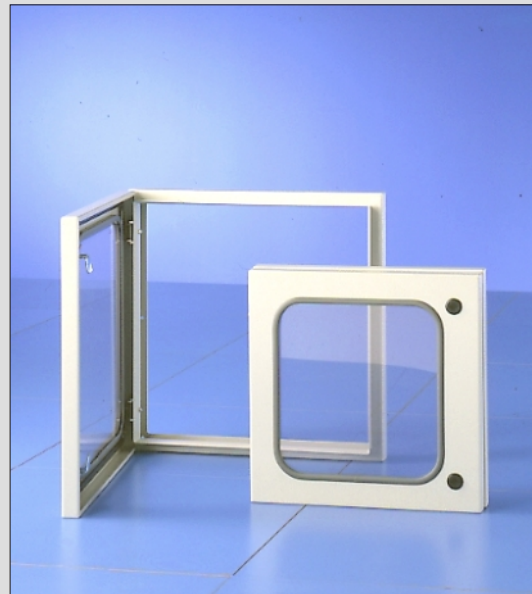
Made of plastic A4 size, with adhesive back. Paint: RAL 7032.



Code	Description
88422	Plastic document pocket

VIEWING WINDOW KIT

Made of sheet-metal, thickness 16ga, with front hinged door and transparent window. To protect instruments and other components. Paint: textured RAL 7032.

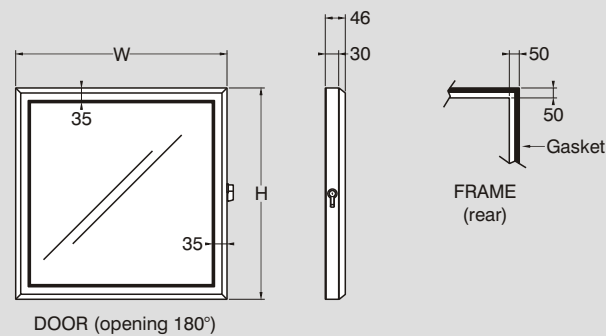


Window kit for control panels

W=mm	390	490	590	590	590	590		
H=mm	390	490	290	390	590	740		
D=mm	60	60	60	60	60	60		
CP code	3939	4949	5929	5939	5959	5974		

ALUMINIUM WINDOW KIT

Made of aluminium, with hinged door and transparent window. To protect instruments and other components.



Aluminium window kit for control panels

W=mm	400	500	600					
H=mm	400	500	600					
D=mm	46	46	46					
CP code	4040	5050	6060					

RAIN CANOPY FOR WALL-MOUNTED BOXES

Made of sheet-metal, thickness 16ga. Recommended for outdoor installations as an additional protection against rain, snow etc. Paint: textured RAL 7032.



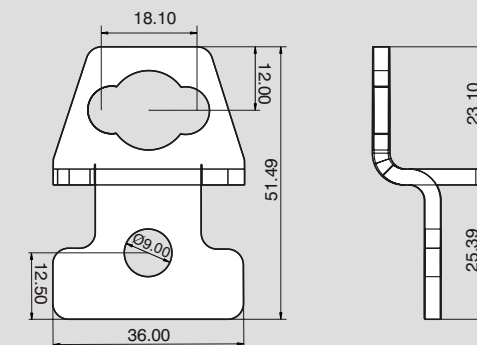
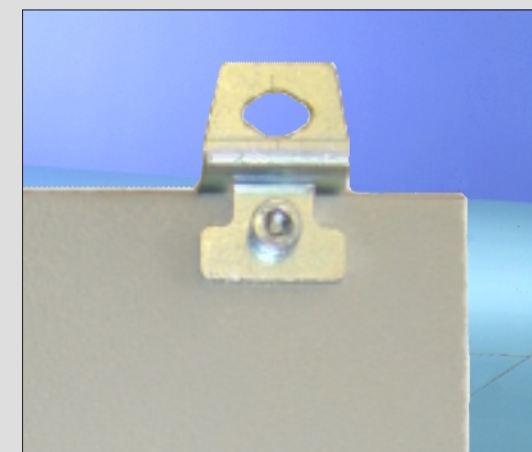
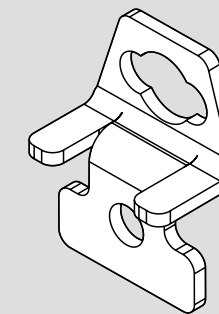
Metal rain canopy for "2800" boxes.

W=mm	310	360	410	410	510	510
D=mm	230	230	230	280	230	280
For Boxes W x D	300x200	350x200	400x200	400x250	500x200	500x250
D93 code	90	101	91	92	93	94

W=mm	610	610	610	810	810	810
D=mm	230	280	330	230	280	330
For Boxes W x D	600x200	600x250	600x300	800x200	800x250	800x300
D93 code	95	96	97	98	99	100

WALL MOUNTING BRACKETS 88475

Made of zinc plated sheet-metal (Sendzimir) or Stainless Steel, thickness 10ga. For all Wall-Mounted and Junction boxes. Pack: 4 pcs.

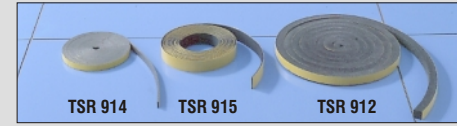


Code	Description
88475/88475-SS	Set: 4 mounting brackets

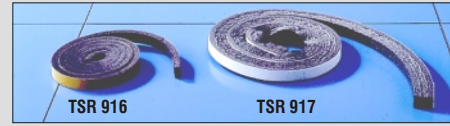
ALL DIMENSIONS IN MM (1 INCH=25.4 MM)

Gasket. Several types of gaskets to increase the protection degree of cabinets.

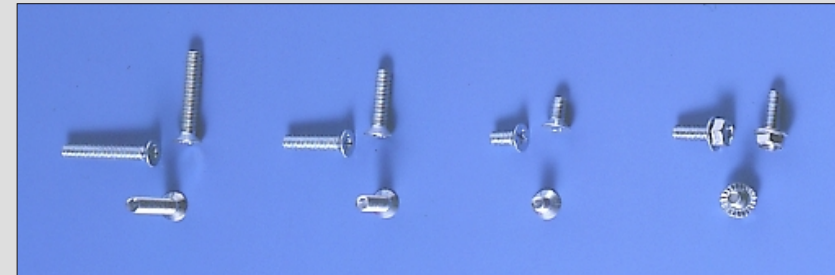
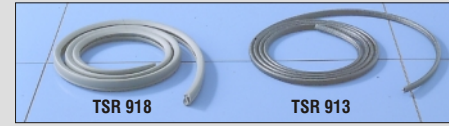
Code	Description
TSR 914	Adhesive gasket 3x10
TSR 915	Adhesive gasket 3x20
TSR 912	Adhesive gasket 12x12



Code	Description
TSR 916	Adhesive gasket 10x20
TSR 917	Adhesive gasket 25x20 for cable entry



Code	Description
TSR 918	Adhesive for PVC window
TSR 913	"U" shaped gasket



Screws with flat phillips and hexagonal head.

Code	Description
TSR 950	Screw with phillips head
TSR 951	Screw with phillips head
TSR 952	Screw with phillips head
TSR 953	Screw with hexagonal head



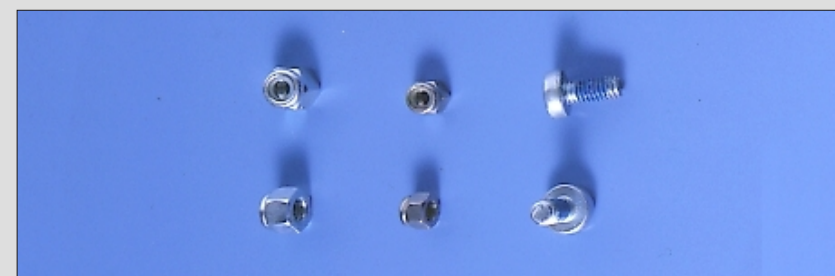
Screws with hexagonal, phillips or Comby head.

Code	Description
TSR 954	Zinc plated steel screw with hexagonal head 8x16 (50 pcs.)
TSR 955	Zinc plated steel screw with phillips head
TSR 956	Zinc plated steel screw with Comby head 6x20 (50 pcs.)
TSR 957	Zinc plated steel screw Comby head 6x35 (50 pcs.)
TSR 949	Self-threading screw with hexagonal head 6x16 (50 pcs.)



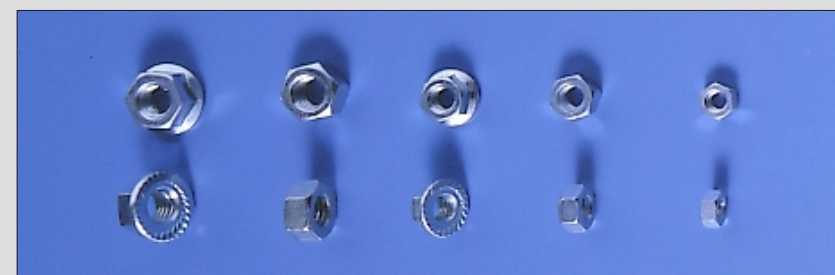
Self-tapping screws with hexagonal or phillips head.

Code	Description
TSR 958	Self-tapping screw with hexagonal head 6x16 (50 pcs.)
TSR 959	Self-tapping screw with convex head 6x15 (50 pcs.)
TSR 960	Self-tapping screw with phillips head
TSR 961	Self-tapping screw with phillips head
TSR 962	Self-tapping screw with flat phillips head
TSR 963	Self-tapping screw with hexagonal head 4x15 (50 pcs.)



Self-locking nuts and screws.

Code	Description
TSR 964	Self-locking zinc plated steel nut M6 (50 pcs.)
TSR 965	Self-locking stainless steel nut M5 (50 pcs.)
TSR 966	Self-locking zinc plated steel screw with phillips head 6x12 (50 pcs.)



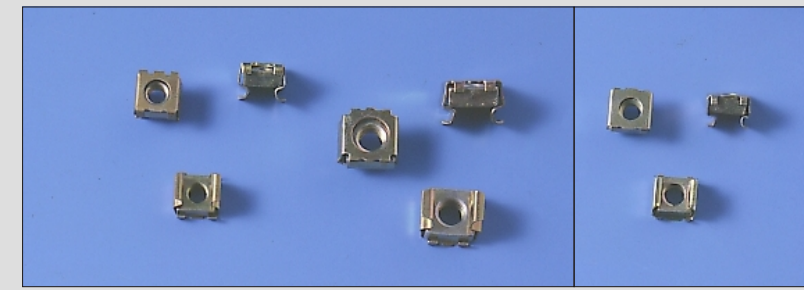
Zinc plated steel and flanged nuts.

Code	Description
TSR 967	Flanged zinc plated steel nut M8 (50 pcs.)
TSR 968	Zinc plated steel nut M8 (50 pcs.)
TSR 969	Flanged zinc plated steel nut M6 (50 pcs.)
TSR 970	Zinc plated steel nut M6 (50 pcs.)
TSR 971	Zinc plated steel nut M5 (50 pcs.)

Zinc plated steel washers.

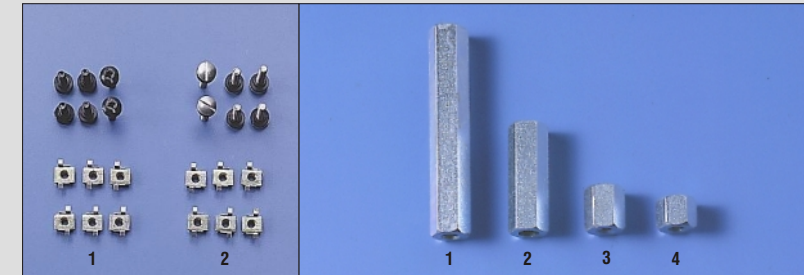
TSR 977	Zinc plated steel washer 8x24 (50 pcs.)
TSR 978	Zinc plated steel washer 6x18 (50 pcs.)

ALL DIMENSIONS IN MM (1 INCH=25.4 MM)



Zinc plated caged nuts.

Code	Description
TSR 972	Zinc plated caged nut M12 14x14 (50 pcs.)
TSR 973	Zinc plated caged nut M8 12.5x12.5 (50 pcs.)
TSR 974	Zinc plated caged nut M6 9.5x9.5 (50 pcs.)
TSR 975	Zinc plated caged nut M6 8.3x8.3 (50 pcs.)
TSR 976	Zinc plated caged nut M5 8.3x8.3 (50 pcs.)



Screws and caged nuts for TSR side walls.

Code	Description
1 TSR 985	Screws and caged nuts for TSR
2 TSR 986	Screws and caged nuts for TSR stainless steel

Zinc plated steel spacers.

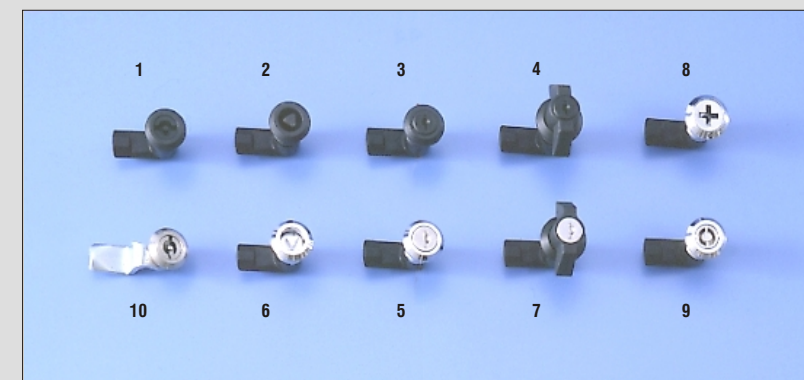
Code	Description
1 TSR 979	Zinc plated steel spacer M6x78 13 (10 pcs.)
2 TSR 980	Zinc plated steel spacer M8x40 13 (10 pcs.)
3 TSR 981	Zinc plated steel spacer M6x16 13 (10 pcs.)
4 TSR 982	Zinc plated steel spacer M6x11 13 (10 pcs.)



Locking systems for TSR/TFR cabinets.

Various locks for all freestanding enclosures.

Code	Description
1 TSR 905	Rod contr. St.handle lock with double cam key 3mm for TSR
2 TSR 942	Rod contr. St.handle lock with triangular key for TSR
3 TSR 943	Lock with FIAT insert for TSR
4 TSR 941	Disappearing handle lock, key "D" 133 with covering for TSR-TFR
5 TSR 907	Disappearing handle lock, key "E" 133 for TSR-TFR
6 TSR 940	Disappearing handle lock, key "G" 9233 for TSR-TFR
7 TSR 906	External handle lock with key "E" 333 for TSR-TFR
8 TSR 936	Disappearing handle lock with FIAT key
9 TSR 937	Standard handle lock with rod control with key square 6mm



Locks for boxes and consoles:

Various locks for all wall-mounted enclosures and consoles.

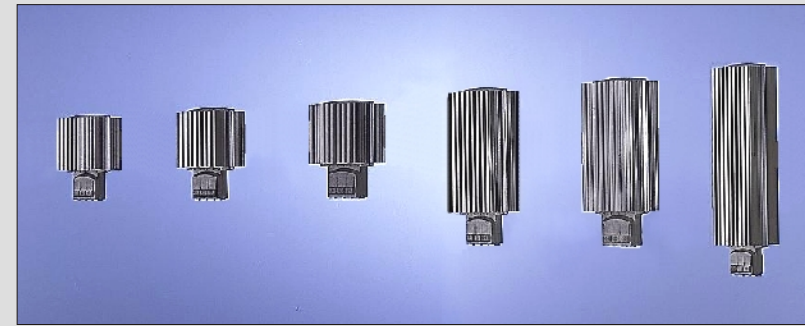
Code	Description
1 8000	Plastic lock with 2 cams 3mm
2 8001	Triangular plastic lock
3 8002	Yale plastic lock
4 8003	Plastic lock with handle
5 8004	Yale steel lock
6 8005	Triangular steel lock
7 8006	Metal lock with handle
8 8007	FIAT steel lock
9 8008	DAIMLER steel lock
10 8010	Stainless-steel AISI 304 lock with 2 cams 3mm for D93 enclosures

Handles / Keys for locks

Code	Description
TSR 908	Metallic key with double cam 3mm
TSR 944	Triangular metallic key
TSR 945	FIAT metallic key
TSR 946	DAIMLER metallic key
TSR 947	Plastic key with double cam 3mm
TSR 948	Triangular plastic key

HEATERS:

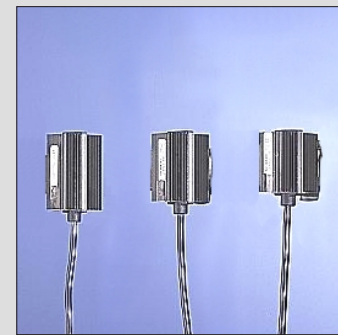
anti-condensation, self regulating. DIN mountable inside cabinet.



Voltage (V): AC/DC 110-250 V max 265 V.
 Heating element: PTC resistor, self regulating.
 Radiator: Anodised extruded aluminium profile.
 Protection class: I, test voltage 1600 V.
 Protection type: IP 20.
 Connection cable: 3 x pressure clamps for stranded and rigid wire 0.5 - 2.5 mmq.
 Mounting: Clip for 35 mm DIN rail, EN50022.

Semiconductor heaters

Code	VR 1415	VR 1430	VR 1445	VR 1475	VR 14100	VR 15150
Description	Semiconductor heater 15W	Semiconductor heater 30W	Semiconductor heater 45W	Semiconductor heater 75W	Semiconductor heater 100W	Semiconductor heater 150W



Voltage (V): AC/DC 110-250 V max 265 V.
 Heating element: PTC resistor, self regulating.
 Radiator: Anodised extruded aluminium profile.
 Protection class: II, test voltage 4000 V.
 Protection type: IP 54.
 Connection cable: 2 x 0.75 mmq x 300 mm silicone cable.
 Mounting: Clip for 35mm DIN rail, EN50022.
 Approvals: VDE, UL.

Small semiconductor heaters

Code	VR 4710	VR 4720	VR 4730			
Description	Semiconductor heater 10W	Semiconductor heater 20W	Semiconductor heater 30W			



Voltage (V): AC 220/230 V - 50/60 Hz.
 Axial fan: Ball bearing. Service life 50,000 h at 25° C ambient temperature.
 Surface temperature: Approx. 75° C.
 Heating elements: Resistance heater with integrated temperature safety cut out.
 Radiator: Anodised extruded aluminium profile.
 Dimensions: 250 W : 80 x 80 H = 178 mm, 400 W : 80 x 80 H = 252 mm.
 Connections: 3-pole clamp for 2.5 mmq.
 Mounting: Clip for 35mm DIN rail, EN50022.
 Protection class: I (earthed).
 Protection type: IP 20.
 Approvals: VDE, UL.

Fan heaters

Code	VR 46250	VR 46400			
Description	Fan heater 250W	Fan heater 400W			

THERMOSTATS:

to control inside temperature of cabinet. DIN mountable.



Setting range: 10-60° C.
 Sensor element: Thermostatic bimetal.
 Switch temperature difference: Approx. 4K (*with thermal feedback approx. 0.5K).
 Contact type: Change-over snap-action contact.
 Breaking/making capacity: Break contact 10 A (4) AC250V DC 30W. Make contact 5A (2) AC 250V DC 30W.
 EMC: EN50082, EN55014, EN60555.
 Connections: 4-pole terminal.
 Mounting: Clip for 35mm DIN rail, (EN 50022).
 Protection: IP 20

* Connecting terminal "N" causes the thermal feedback (RF heating resistor) to work and so reduces the switch temperature difference. (Only fully effective at 230V).

Thermostat

Code	VR 1060			
Description	Thermostat +10/+60° C. NC/NA			



VR 0601 normally closed.
 VR 0602 normally open.
 Setting range: 0-60° C.
 Setting range: 0-60° C.
 Switch temperature difference: ca. 7 K.
 Sensor elements: Thermostatic bimetal.
 Contact type: Break or Make, snap-action contact.
 Breaking capacity: 6 A (1) AC 250 V DC 30 W.
 EMC: EN50082, EN55014, EN60555.
 Connections: 2 pole terminal 2.5 mmq.
 Mounting: Integrated clip for 35mm DIN rail (EN 50022).
 Protection: IP 20.
 Approvals: VDE, UL.

Thermostat

Code	VR 0601	VR 0602		
Description	Small thermostat 0/+60° C. NC	Small thermostat 0/+60° C. NA		

HIGROSTAT:

to control humidity inside cabinet. DIN mountable inside cabinet.



Adjustment range: 35-95% relative humidity.
 Switching accuracy: ± 3% relative humidity.
 Switching difference at 50% relative humidity (microswitch): Approx. 4% relative humidity.
 Peak voltage: AC 250 V.
 Switching capacity, maximum load: 100 mA, DC/AC 20 V.
 Resistive load: 5 A 250 V (service life 50,000 cycles).
 Inductive load cos=0.8: 0.2 A AC 250 V.
 Inductive load L/R=3 ms: 1 A-DC 50 V, 0.5 A-DC 75 V.
 Permissible ambient temperature: 0..60° C.
 Permissible air velocity: 15 m/sec.
 Connection: Terminals in casing, 3 x 2.5 mmq.
 Mounting: Clip for 35mm DIN rail (EN 50022).
 Protection: IP 20 (DIN 40050).

Hygrostat

Code	VR 3595			
Description	Hygrostat 35/95%			